

Destinatar

Firma
Referinta
Adresa
Phone
Fax
E-mail

Expeditor

Cod articol :

102160062

Articol:

JET 151 M

Date pompa

Presiune nominala: 8 bar (800 kPa)
Temperatura min. fluid 0 °C
Temperatura max. fluid 35 °C
Temperatura max. ambienta 40 °C

Capacitate de amorsare:

H m	2	3	4	5	6	7	8
Q m³/h	4.2	3.72	3.36	3	2.46	1.98	1.5

Date de functionare cerute

Debit :
Inaltime de pompare :
Fluid pompat : Apă
Temperatura fluid: 20 °C
Densitate 998.3 kg/m³
Vascozitate cinematica: 1.005 mm²/s
Presiune de vapori: 2.34 kPa

Date disponibile:

Debit :
Inaltime de pompare :

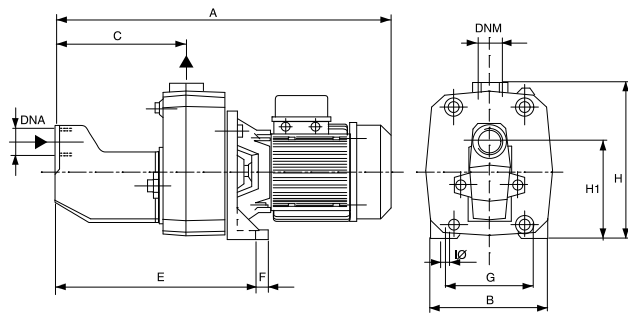
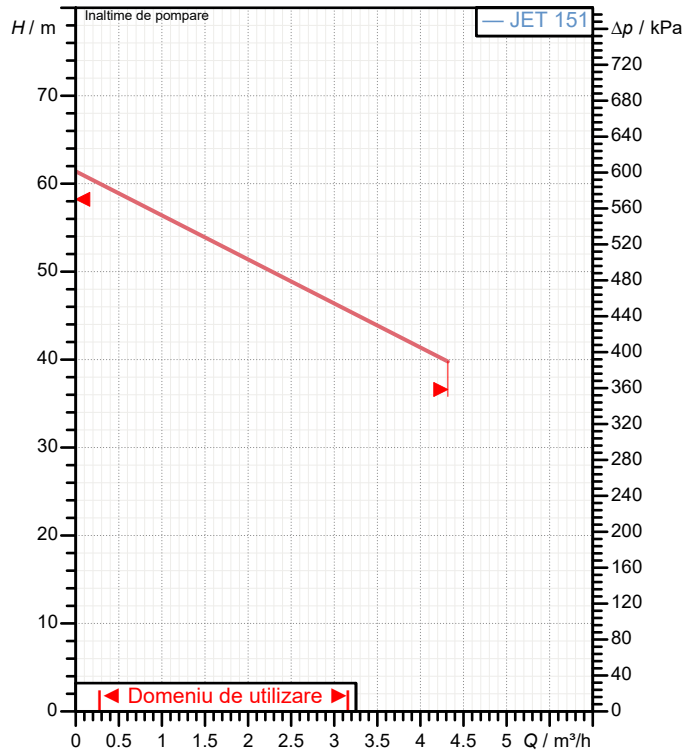
Materiale

Corp pompa Fonta GJL 200 UNI EN 1561
Suport Fonta GJL 200 UNI EN 1561
Rotor Noryl
Etansare mecanica Carbon/Ceramica
Garnitura OR Cauciuc NBR
Arbore cu rotor AISI 303
Grup duza difuzor venturi Noryl

Date motor

Marca : DAB
Putere nominala P2: 1.1 kW
Viteza nominala: 2800 1/min
Tensiune nominala : 1~ 220-240 V 50 Hz
Curent nominal : 7.2 A
Grad de protectie: IP 44

Curve tolerance according to ISO 9906



Dimensiuni de gabarit mm

A	558	DNM	1" G	H	255
B	210	E	350	H1	158
C	221	F	20	I Ø	11
DNA	1"1/4 G	G	145		

Masa 31 kg

Racorduri pompa:

Partea cu aspiratia: 1" 1/4 G / 8 bar (800 kPa)
Partea cu refularea: 1" G / 8 bar (800 kPa)



CURBELOR CARACTERISTICE

11/23/2021

Pagina 2 / 3

DAB PUMPS S.p.A.
Via Marco Polo, 14 - 35035 Mestrino (PD), Italy
Tel. +39 049 5125000 - Fax +39 049 5125950
www.dabpumps.com

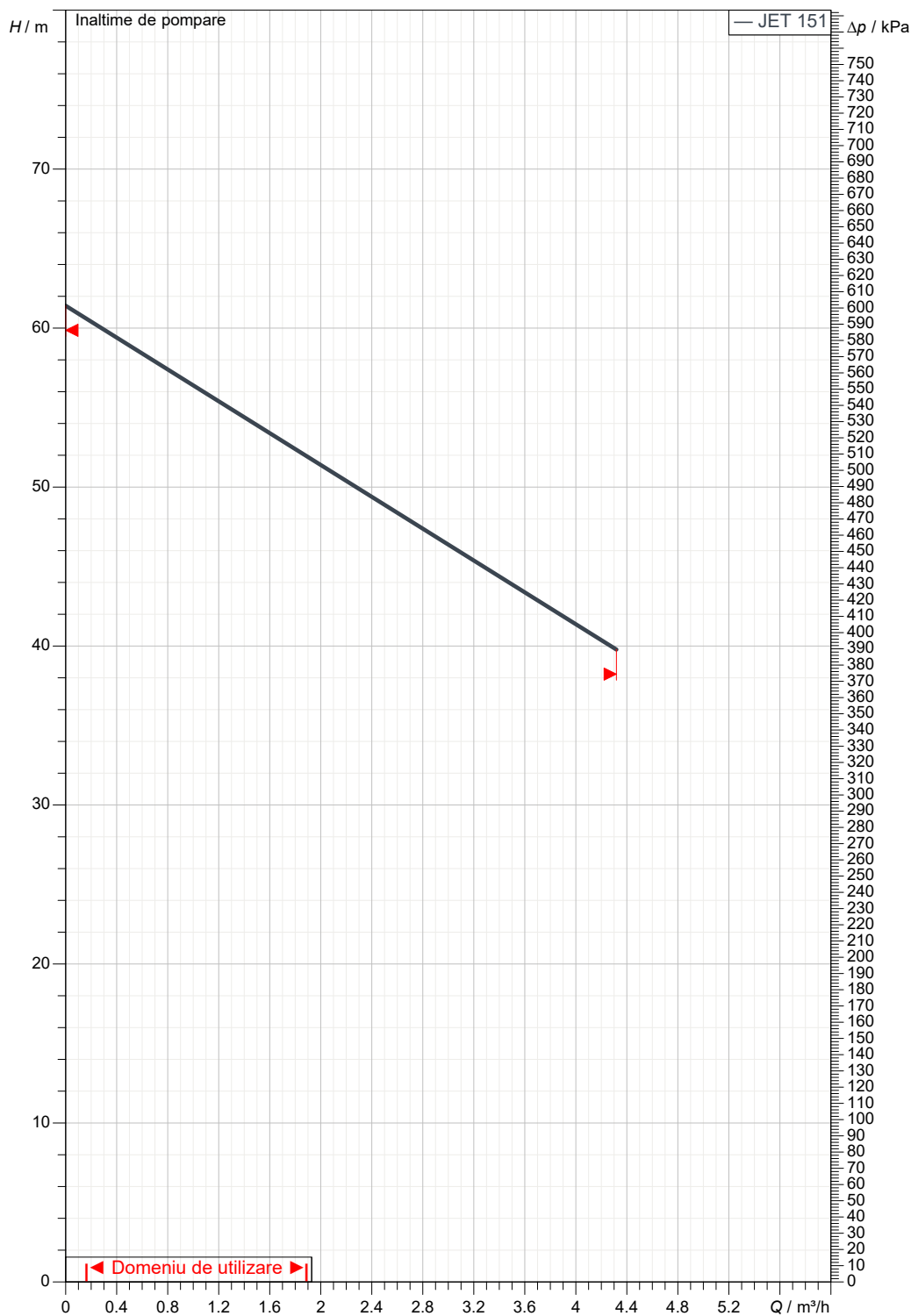
Destinatar

Expeditor

Firma
Referinta
Adresa
Phone
Fax
E-mail

JET 151 M

Curve tolerance according to ISO 9906



Date disponibile:

Partea cu aspiratia:
1" 1/4 G
8 bar (800 kPa)

Partea cu refularea:
1" G
8 bar (800 kPa)

Debit :

Înaltime de pompare :

Viteza nominala:
2800 1/min

MAIN_PROJECT_TITLE

BUSINESS_PROCESS_IT

OWNER_

ISSUE_DATE



DESEN DIMENSIONAL

11/23/2021

Pagina 3 / 3

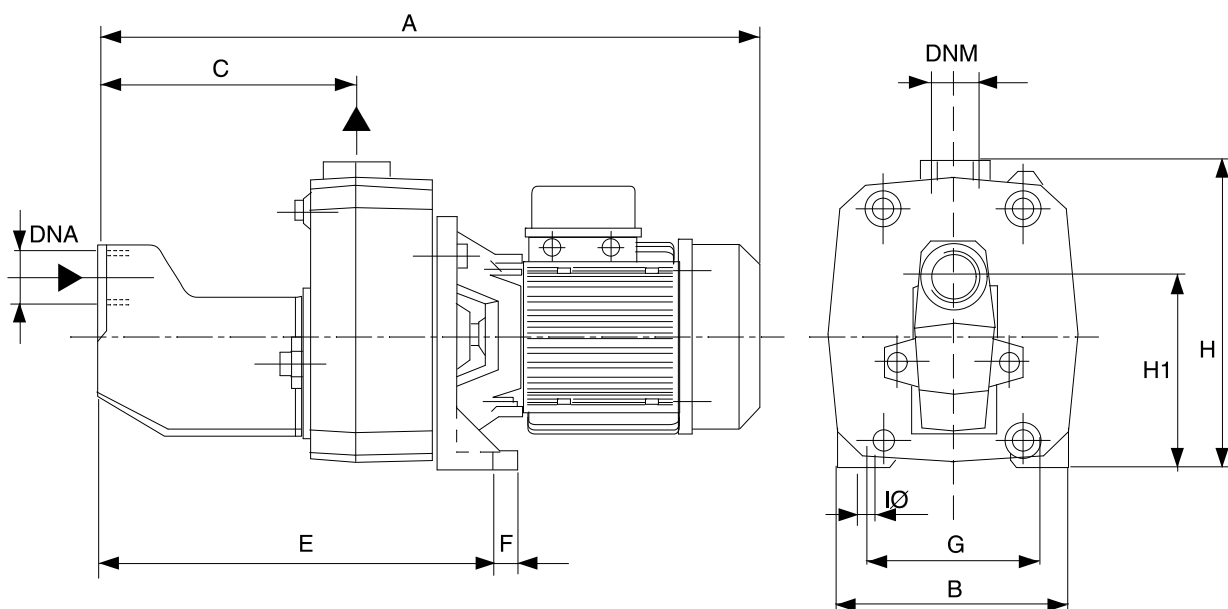
DAB PUMPS S.p.A.
Via Marco Polo, 14 - 35035 Mestrino (PD), Italy
Tel. +39 049 5125000 - Fax +39 049 5125950
www.dabpumps.com

Destinatar

Expeditor

Firma
Referinta
Adresa
Phone
Fax
E-mail

JET 151 M



Dimensiuni in mm

Racorduri pompa:

1	A	558					
2	B	210					Aspiratie
3	C	221					1" 1/4 G
4	DNA	1"1/4 G					8 bar (800 kPa)
5	DNM	1" G					
6	E	350					Refulare
7	F	20					1" G
8	G	145					8 bar (800 kPa)
9	H	255					
10	H1	158					
11	I	11					
12	Ø						

MAIN_PROJECT_TITLE

BUSINESS_PROCESS_ID

OWNER

ISSUE_DATE