

Destinatar

Firma
Referinta
Adresa
Phone
Fax
E-mail

Expedito

Cod articol :

1D6311G8X

Articol:

CM-G 100-1320/A/BAQE/4 IE3

Date pompa

MEI ≥

Presiune nominala: PN 16
Temperatura min. fluid -10 °C
Temperatura max. fluid 140 °C
Temperatura max. ambianta 40 °C

Date de functionare cerute

Debit :
Inaltime de pompare :
Fluid pompat (%) :
Temperatura fluid: 20 °C
Densitate 998,3 kg/m³
Vasozitate cinematica: 1,005 mm²/s
Presiune de vapori:

Real duty point

Debit :
Inaltime de pompare :
NPSH :
Shaft power P2 :
Efficiency :

Materiale

Corp pompa Fonta 200 UNI ISO 185
Suport Fonta 200 UNI ISO 185
Rotor Fonta 200 UNI ISO 185
Etansare mecanica SEE "SHAFT SEAL" SECTION
Garnitura OR Cauciuc EPDM
Arbore cu rotor AISI 304 X5 Cr Ni 1810 UNI 6900/71

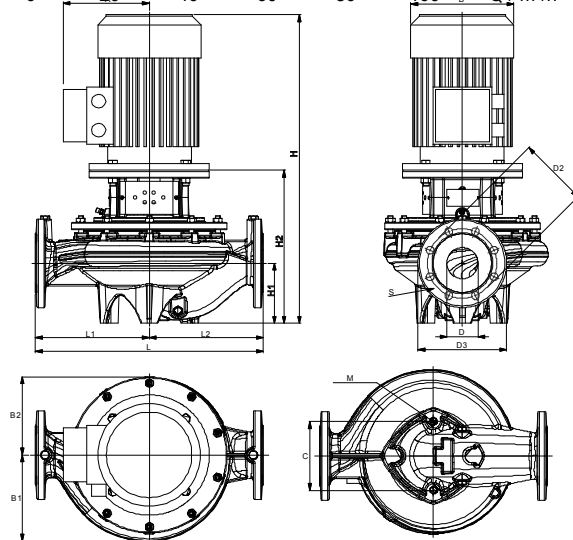
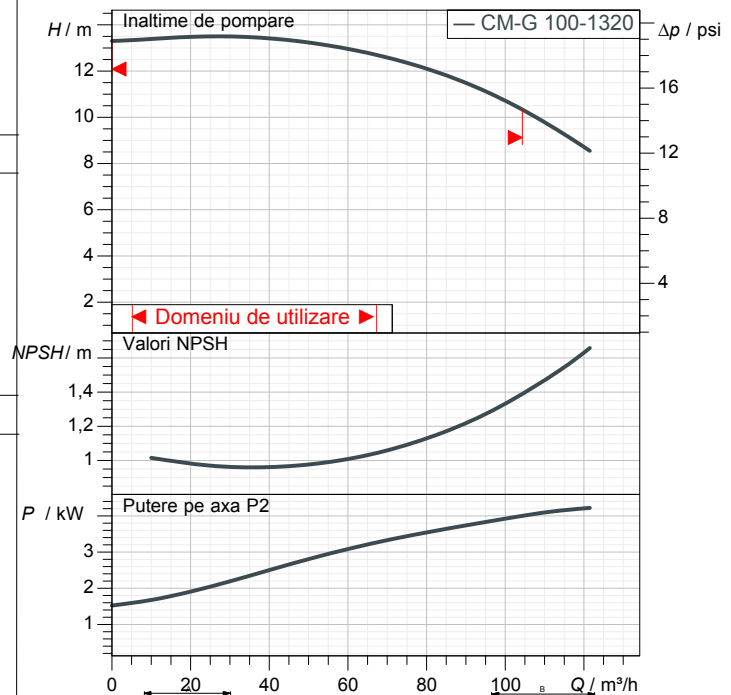
Etansare mecanica

Type Cauciuc
Stationary part Carbură de siliciu
Rotating part Carbon
Elastomer EPDM

Date motor

Putere nominala P2: 4 kW
Viteza nominala: 1450 1/min
Tensiune nominala : 3~ 400 V 50 Hz
Curent nominal : 8,2 A
Grad de protecție: IP 55

Curve tolerance according to ISO 9906



Masa 156 kg

Dimensiuni de gabarit mm

Dimensiune	Valoare	Dimensiune	Valoare
A	160	H1	140
B1	204	H2	341
B2	174	L	550
C	230	L1	275
D	100	L2	275
D2	180	M	M16
D3	220	S	8 x Ø18
H	669		

Racorduri pompa:

Partea cu aspiratia: DN 100 / PN 16
Partea cu refularea: DN 100 / PN 16

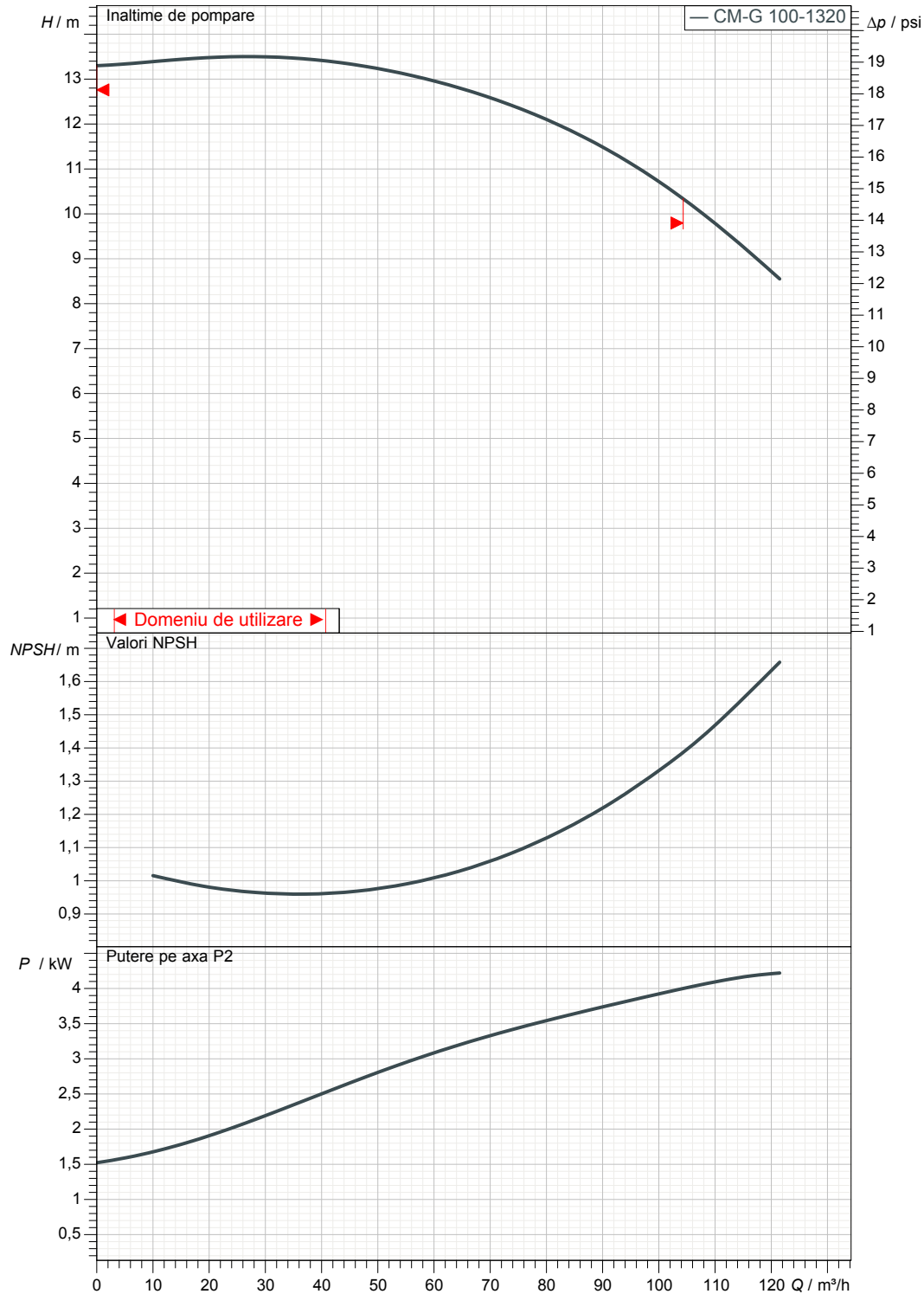
Destinatari

Expeditor

 Firma
 Referinta
 Adresa
 Phone
 Fax
 E-mail

CM-G 100-1320/A/BAQE/4 IE3

Curve tolerance according to ISO 9906



Date disponibile:

 Partea cu aspiratia:
 DN 100
 PN 16

 Partea cu refularea:
 DN 100
 PN 16

Debit :

Înaltime de pompare :

 Viteza nominala:
 1450 1/min

MAIN_PROJECT_TITLE

BUSINESS_PROCESS_IC

OWNER_

ISSUE_DATE



DESEN DIMENSIONAL

09/04/2015

Pagina 3 / 3

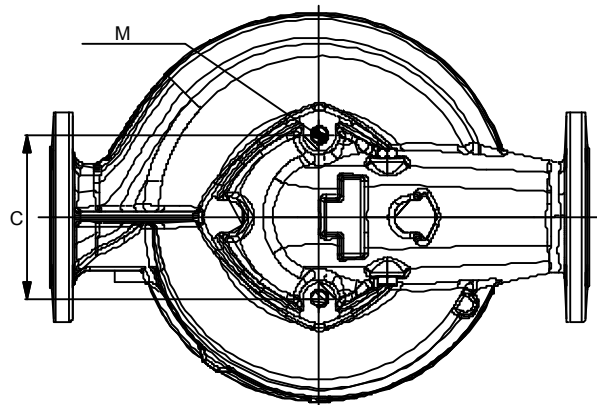
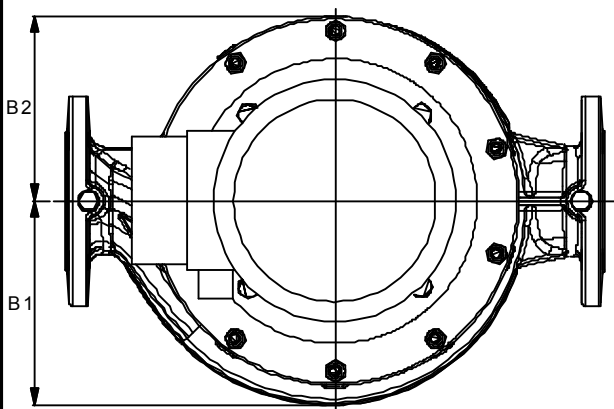
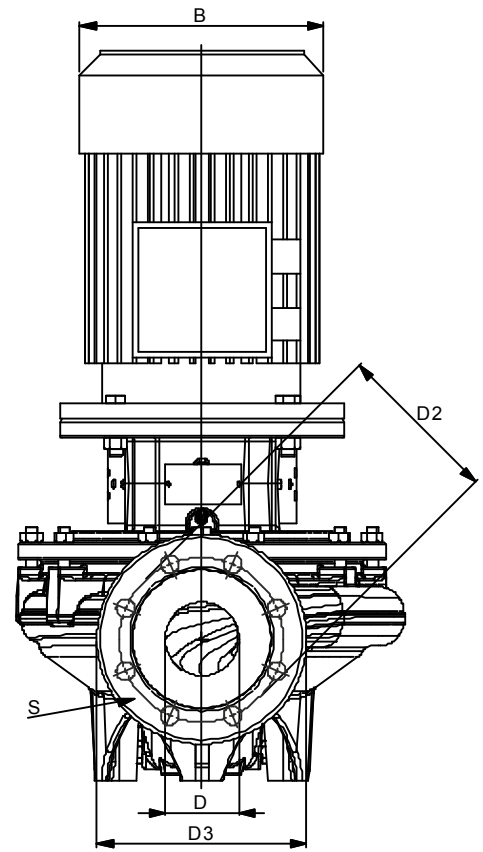
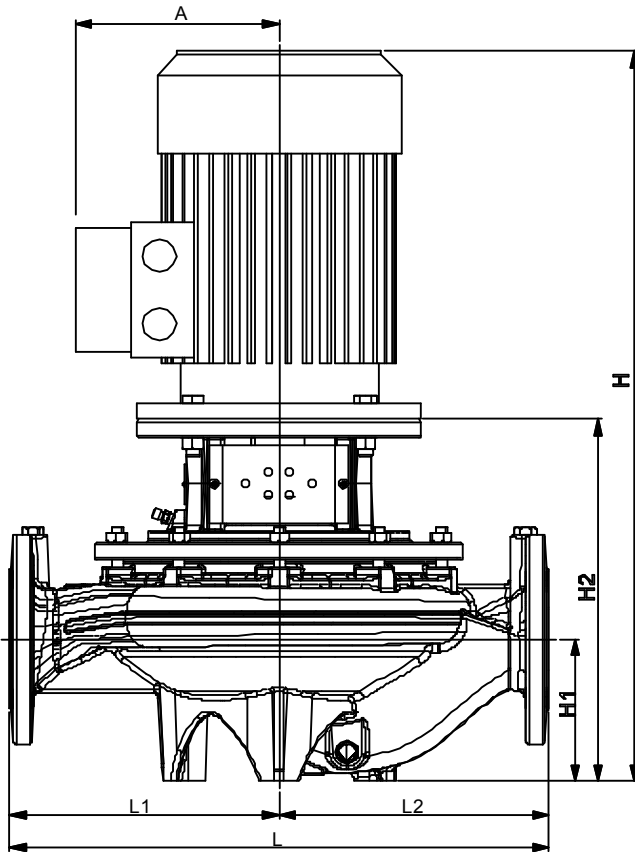
DAB PUMPS S.p.A.
Via Marco Polo, 14 - 35035 Mestrino (PD), Italy
Tel. +39 049 5125000 - Fax +39 049 5125950
www.dabpumps.com

Destinatar

Expeditor

Firma
Referinta
Adresa
Phone
Fax
E-mail

CM-G 100-1320/A/BAQE/4 IE3



Dimensiuni in mm

1	A	160	L2	275
2	B1	204	M	M16
3	B2	174	S	8 x Ø18
4	C	230		
5	D	100		
6	D2	180		
7	D3	220		
8	H	669		
9	H1	140		
10	H2	341		
11	L	550		
12	L1	275		

Racorduri pompa:

Aspiratie
DN 100
PN 16

Refulare
DN 100
PN 16

MAIN_PROJECT_TITLE

BUSINESS_PROCESS_ID

OWNER_

ISSUE_DATE