

### Destinatar

Firma  
Referinta  
Adresa  
Phone  
Fax  
E-mail

### Expeditor

#### Cod articol :

500121060

#### Articol:

2 JET 151 M

#### Date pompa

§Product version	Versione standard
Presiune nominala:	8 bar (800 kPa)
Temperatura min. fluid	0 °C
Temperatura max. fluid	40 °C
Temperatura max. ambianta	40 °C

#### Date de functionare cerute

Debit :	
Înaltime de pompare :	
Fluid pompat :	Apă
Temperatura fluid:	20 °C
Densitate	998.3 kg/m <sup>3</sup>
Vascozitate cinematica:	1.005 mm <sup>2</sup> /s
Presiune de vapori:	2.34 kPa

#### Date disponibile:

Debit :	
Înaltime de pompare :	

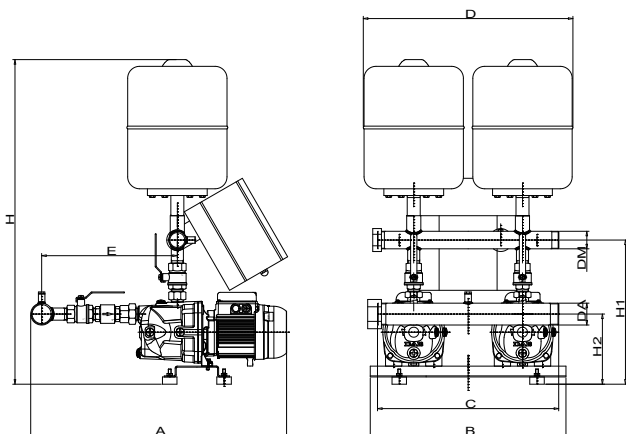
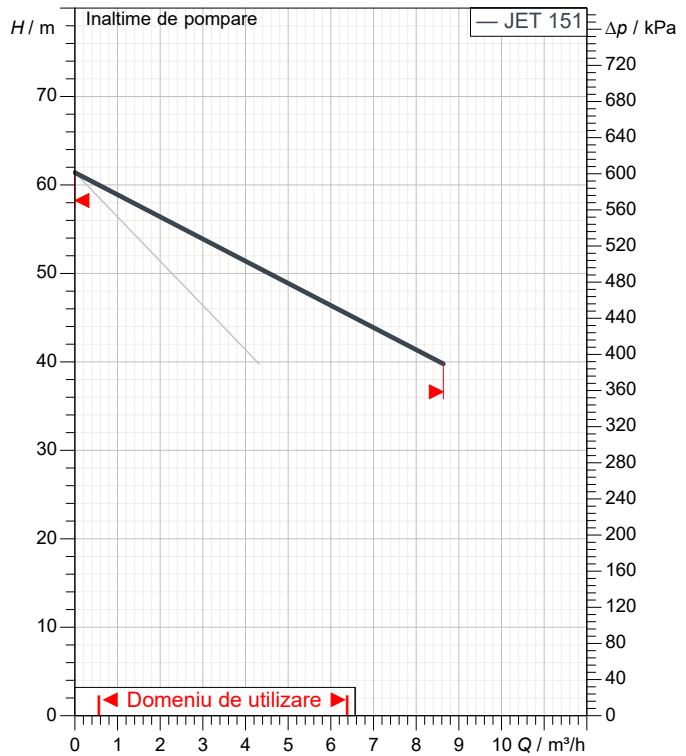
#### Date motor (1 motor):

Brand:	DAB
Putere nominala P2:	1.1 kW
Viteza nominala:	2800 1/min
Tensiune nominala :	1~ 230 V      50 Hz
Curent nominal :	7.2 A
Grad de protecție:	IP 44

#### Dimensiuni de gabarit    mm

A	960		
B	540		
C	500		
D	565		
DNA	2"		
DNM	1" 1/2		
E	535		
H	910		
H1	465		
H2	195		

#### Curve tolerance according to ISO 9906



**Masa**                      101 kg

#### Racorduri pompa:

Partea cu aspiratia:      2"      /      8 bar (800 kPa)  
Partea cu refularea:      1" 1/2      /      8 bar (800 kPa)



# CURBELOR CARACTERISTICE

06/18/2021

Pagina 2 / 3

DAB PUMPS S.p.A.  
Via Marco Polo, 14 - 35035 Mestrino (PD), Italy  
Tel. +39 049 5125000 - Fax +39 049 5125950  
www.dabpumps.com

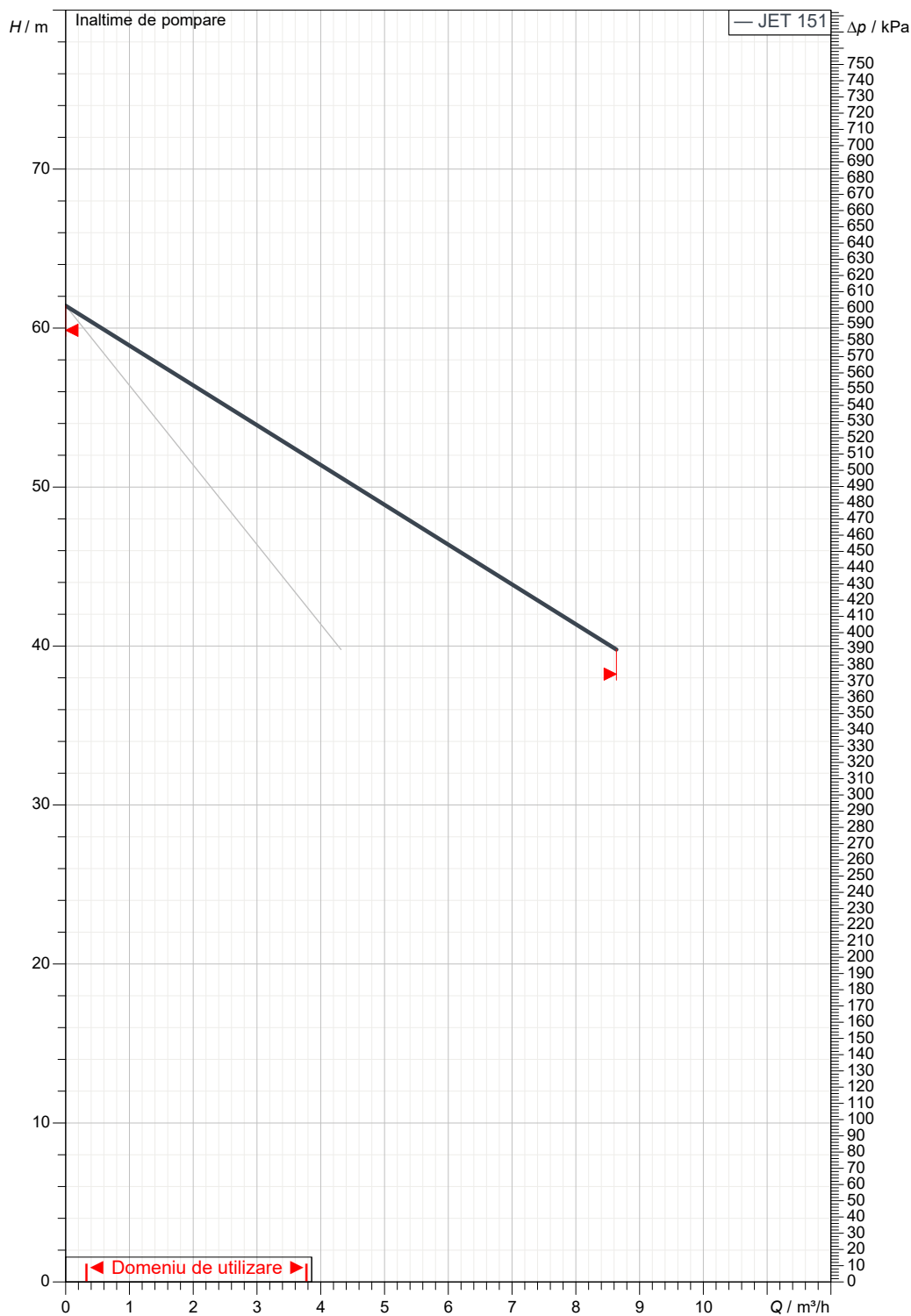
Destinatar

Expeditor

Firma  
Referinta  
Adresa  
Phone  
Fax  
E-mail

## 2 JET 151 M

Curve tolerance according to ISO 9906



Date disponibile:

Partea cu aspiratia:  
2"  
8 bar (800 kPa)

Partea cu refularea:  
1" 1/2  
8 bar (800 kPa)

Debit :

Înaltime de pompare :

Viteza nominala:  
2800 1/min

MAIN\_PROJECT\_TITLE

BUSINESS\_PROCESS\_ID

OWNER\_

ISSUE\_DATE

06/18/2021



# DESEN DIMENSIONAL

06/18/2021

Pagina 3 / 3

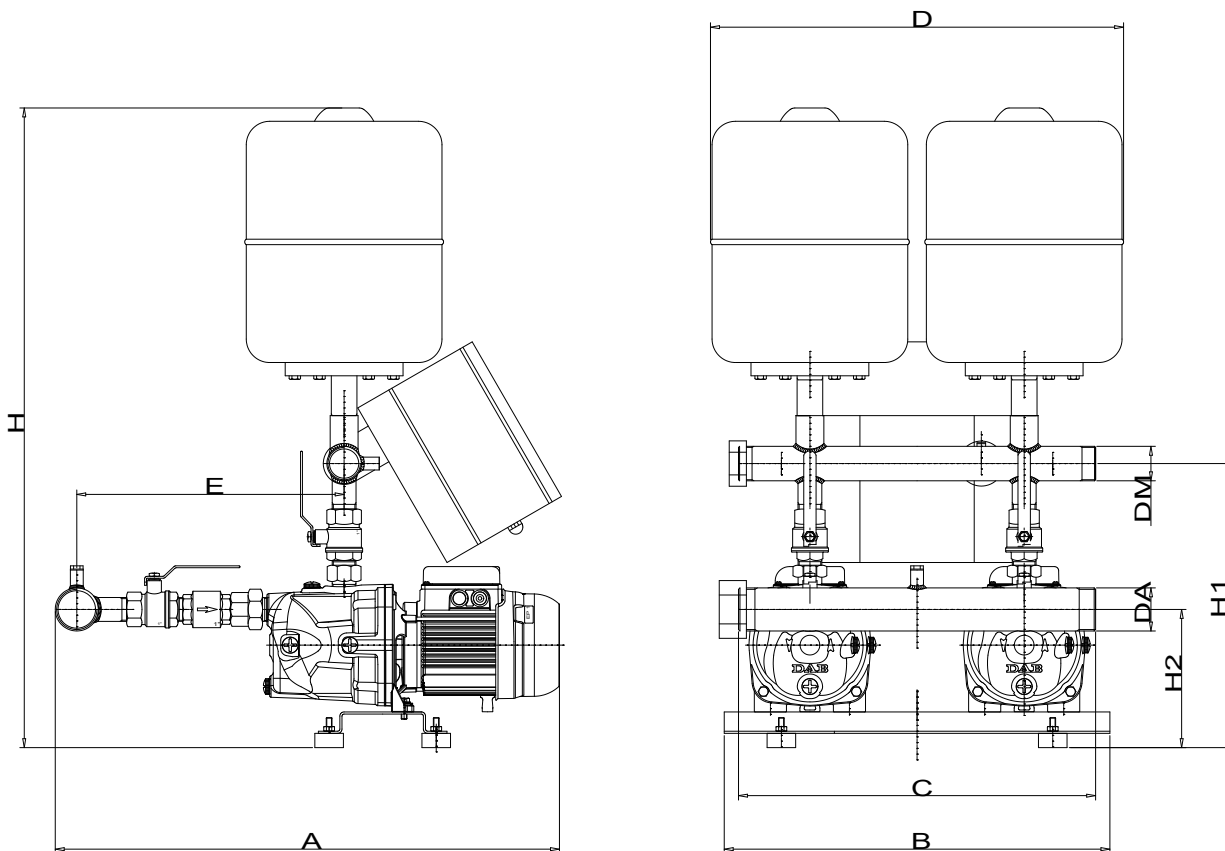
DAB PUMPS S.p.A.  
Via Marco Polo, 14 - 35035 Mestrino (PD), Italy  
Tel. +39 049 5125000 - Fax +39 049 5125950  
www.dabpumps.com

Destinatar

Expeditor

Firma  
Referinta  
Adresa  
Phone  
Fax  
E-mail

## 2 JET 151 M



Dimensiuni in mm

1	A	960
2	B	540
3	C	500
4	D	565
5	DNA	2"
6	DNM	1" 1/2
7	E	535
8	H	910
9	H1	465
10	H2	195
11		
12		

Racorduri pompa:

Aspiratie  
2"  
8 bar (800 kPa)

Refulare  
1" 1/2  
8 bar (800 kPa)

MAIN\_PROJECT\_TITLE

BUSINESS\_PROCESS\_ID

OWNER

ISSUE\_DATE

06/18/2021