

### Destinatar

Firma  
Referinta  
Adresa  
Phone  
Fax  
E-mail

### Expeditor

### Cod articol :

102690010

### Articol:

ACTIVE J 82 M

### Date pompa

Presiune nominala: 8 bar (800 kPa)  
Temperatura min. fluid 0 °C  
Temperatura max. fluid 35 °C  
Temperatura max. ambienta 40 °C

### Date de functionare cerute

Debit :  
Inaltime de pompa :  
Fluid pompat : Apă  
Temperatura fluid: 20 °C  
Densitate 998,3 kg/m³  
Vascozitate cinematica: 1,005 mm²/s  
Presiune de vapori: 2,34 kPa

### Date disponibile:

Debit :  
Inaltime de pompa :

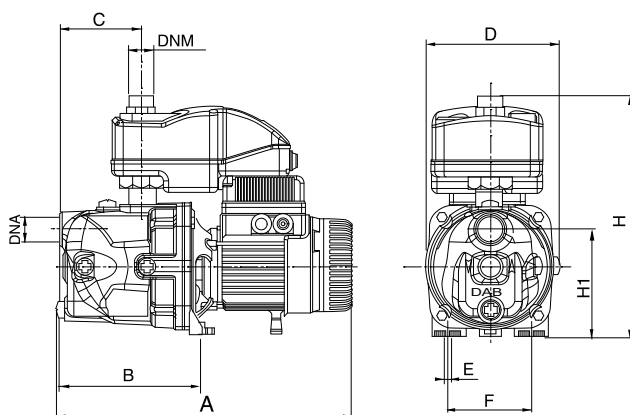
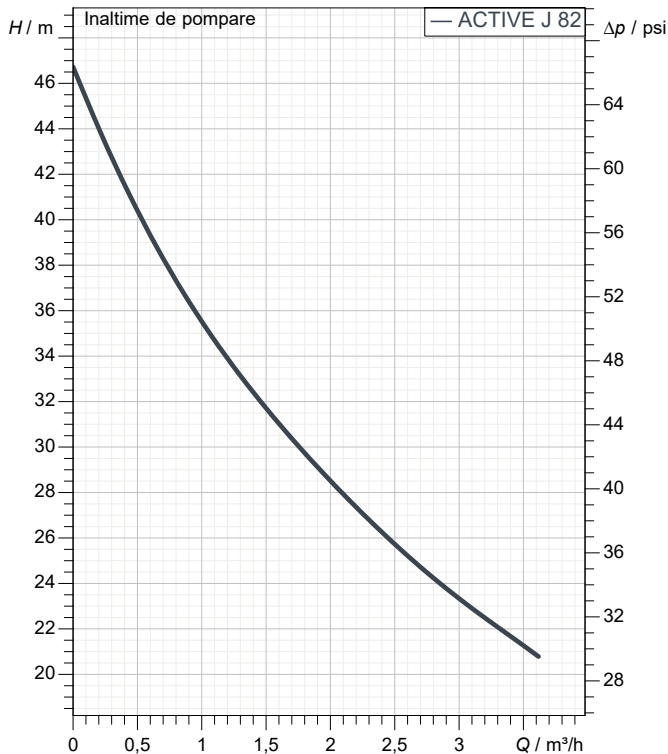
### Materiale

Corp pompa Fonta 200 UNI ISO 185  
Suport Aluminiu turnat la cald  
Rotor Tecopolimer A  
Etansare mecanica Carbon/Ceramica  
Garnitura OR Cauciuc NBR  
Arbore cu rotor AISI 416 X12 CrS 13 UNI 6900/71  
Grup duza difuzor venturi Tecopolimer A

### Date motor

Marca : DAB  
Putere nominala P2: 0,6 kW  
Viteza nominala: 2.750 1/min  
Tensiune nominala : 1~ 220-240 V 50 Hz  
Curent nominal : 3,8 A  
Grad de protectie: IP 44

### Curve tolerance according to ISO 9906



### Dimensiuni de gabarit mm

	A	B	C	D	DNA	DNM	1" G	H	H1	322	144
A	395	192	108	178	DNA	DNM	1" G	H	H1	322	144
B											
C											
D											

### Racorduri pompa:

Partea cu aspiratia: 1" G / 8 bar (800 kPa)  
Partea cu refularea: 1" G / 8 bar (800 kPa)

Masa 13,2 kg



# CURBELOR CARACTERISTICE

05/28/2021

Pagina 2 / 3

DAB PUMPS S.p.A.  
Via Marco Polo, 14 - 35035 Mestrino (PD), Italy  
Tel. +39 049 5125000 - Fax +39 049 5125950  
www.dabpumps.com

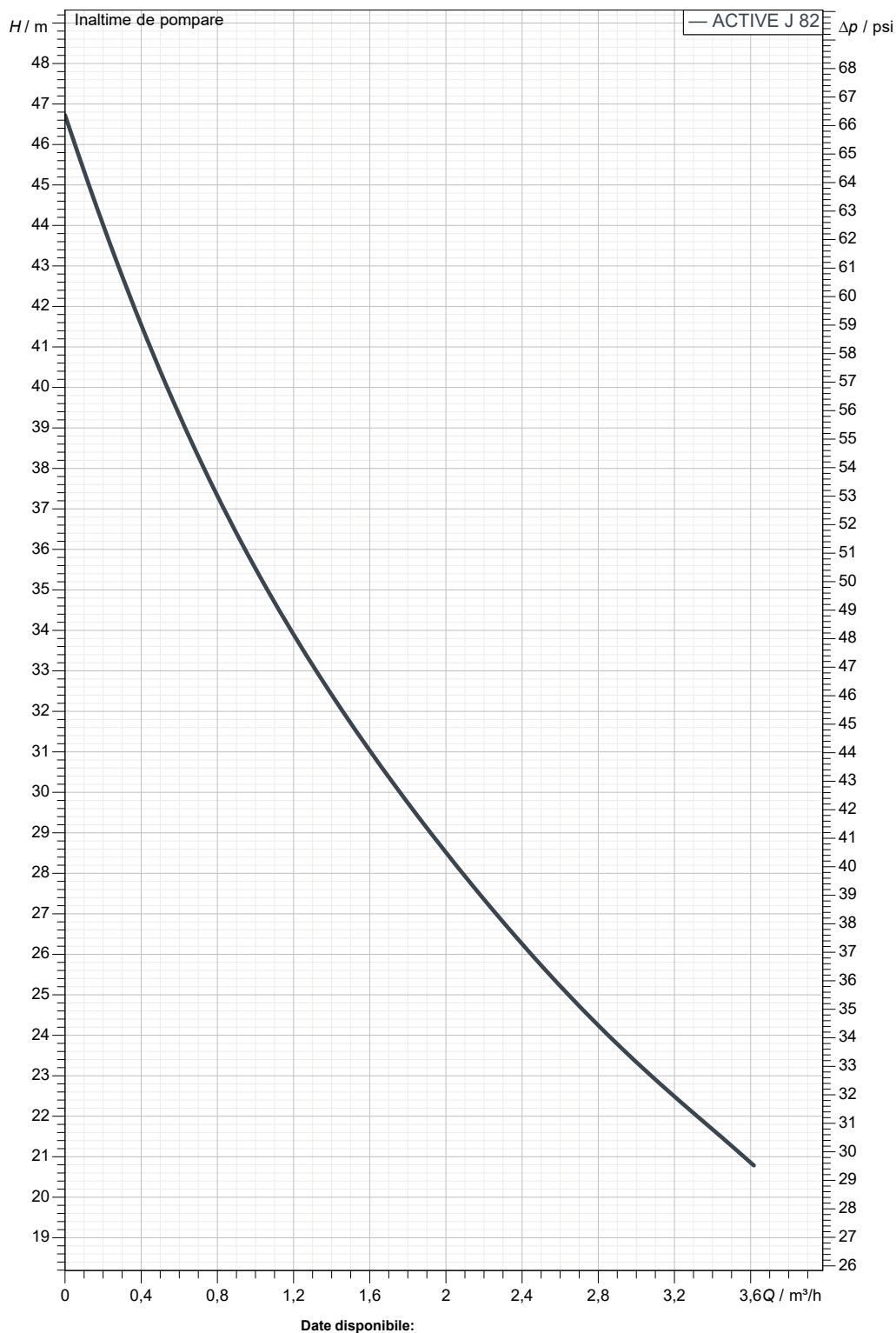
Destinatar

Expeditor

Firma  
Referinta  
Adresa  
Phone  
Fax  
E-mail

## ACTIVE J 82 M

Curve tolerance according to ISO 9906



Date disponibile:

Partea cu aspiratia:  
1" G  
8 bar (800 kPa)

Partea cu refularea:  
1" G  
8 bar (800 kPa)

Debit :

Înaltime de pompare :

Viteza nominala:  
2.750 1/min

MAIN\_PROJECT\_TITLE

BUSINESS\_PROCESS\_IC

OWNER\_

ISSUE\_DATE



# DESEN DIMENSIONAL

05/28/2021

Pagina 3 / 3

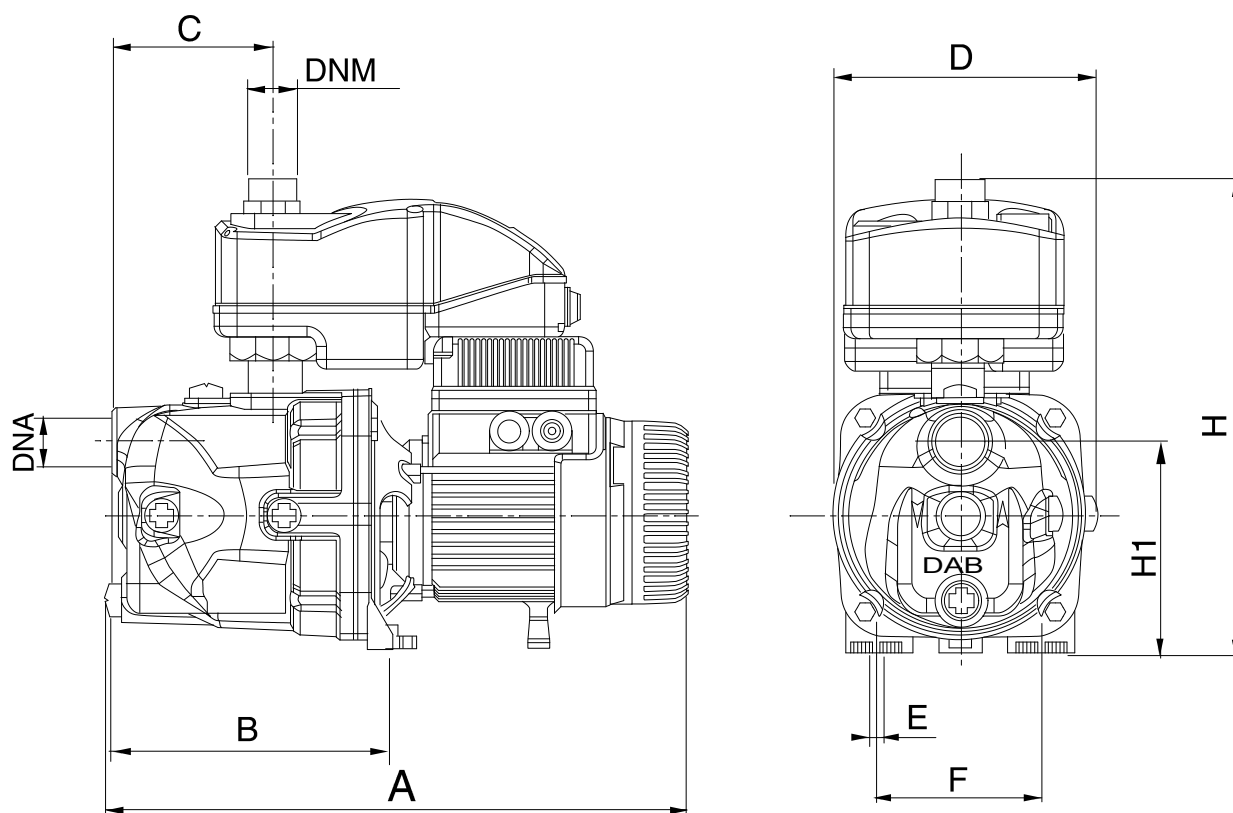
DAB PUMPS S.p.A.  
Via Marco Polo, 14 - 35035 Mestrino (PD), Italy  
Tel. +39 049 5125000 - Fax +39 049 5125950  
www.dabpumps.com

Destinatar

Expeditor

Firma  
Referinta  
Adresa  
Phone  
Fax  
E-mail

## ACTIVE J 82 M



**Dimensiuni in mm**

1	A	395
2	B	192
3	C	108
4	D	178
5	DNA	1" G
6	DNM	1" G
7	E	9
8	F	111
9	H	322
10	H1	144
11		
12		

**Racorduri pompa:**

Aspiratie  
1" G  
8 bar (800 kPa)

Refulare  
1" G  
8 bar (800 kPa)

MAIN\_PROJECT\_TITLE

BUSINESS\_PROCESS\_ID

OWNER

ISSUE\_DATE