

Destinatar

Firma
Referinta
Adresa
Phone
Fax
E-mail

Expedito

Cod articol :

60191256

Articol:

DRENAG FX 15.15 T-NA

Tip de instalatie:

Wet - Pump only

Date pompa

Free passage : 10 mm
Max. immersion depth : 20 m
Temperatura min. fluid 0 °C
Temperatura max. fluid 50 °C

Date de functionare cerute

Debit :
Inaltime de pompare :
Fluid pompat : Apă
Temperatura fluid: 20 °C
Densitate 998,3 kg/m³
Vasozitate cinematica: 1,005 mm²/s
Presiune de vapori: 2,34 kPa

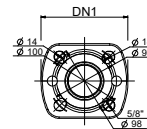
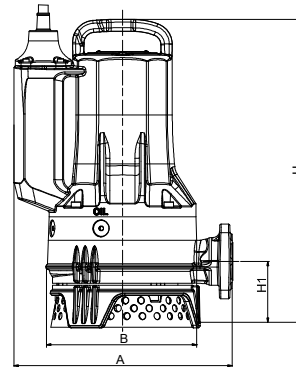
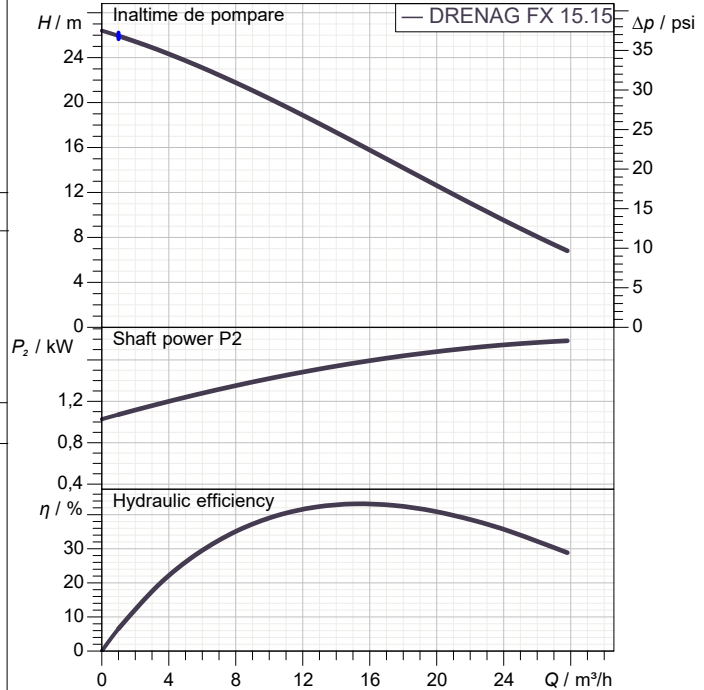
Date disponibile:

Debit :
Inaltime de pompare :

Materiale

Maner Fonta EN GJL 200
Pump body / motor Fonta EN GJL 200
Rotor Cast iron (EN GJL 250)
Etansare mec. completa pe partea pompei SIC/SIC-C
Etansare mec. completa pe partea motorului Carbon
Garnitura OR NBR
Arbore motor Otel inox AISI 304

Curve tolerance according to ISO 9906



Date motor

Marca : DAB
Putere nominala P2: 1,8 kW
Viteza nominala: 2.870 1/min
Tensiune nominala : 3~ 400 V 50 Hz
Curent nominal : 4,3 A
Grad de protectie: IP 68

Masa

38 kg

Accessory weight :

Dimensiuni de gabarit mm

Dimensiune	Valoare	mm			
A	306				
B	215				
DN1	32, 40				
GAS	Rp 1"1/2				
H	421				
H1	95				

Racorduri pompa:

Partea cu aspiratia: --
Partea cu refularea: Rp 1"1/2 - DN 32 PN10/6, DN 40 PN6

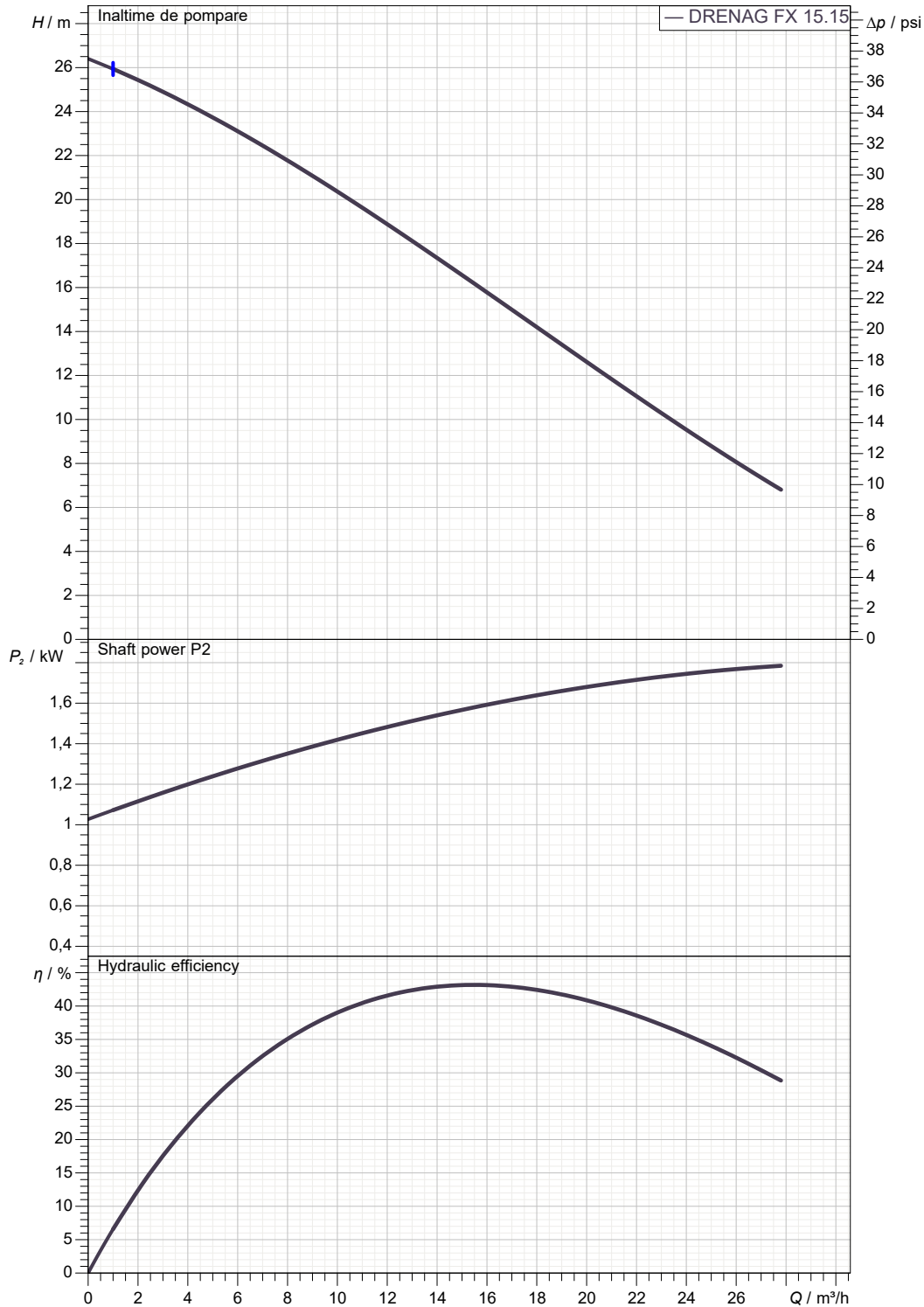
Destinatar

Expeditor

 Firma
 Referinta
 Adresa
 Phone
 Fax
 E-mail

DRENAG FX 15.15 T-NA

Curve tolerance according to ISO 9906



Date disponibile:

Partea cu aspiratia:

 Partea cu refularea:
 Rp 1"1/2 - DN 32 PN10/6, DN 40 PN6
 --

Debit :

Înaltime de pompare :

 Viteza nominala:
 2.870 1/min

MAIN_PROJECT_TITLE

BUSINESS_PROCESS_IC

OWNER_

ISSUE_DATE

09/04/2020



DESEN DIMENSIONAL

09/04/2020

Pagina 3 / 3

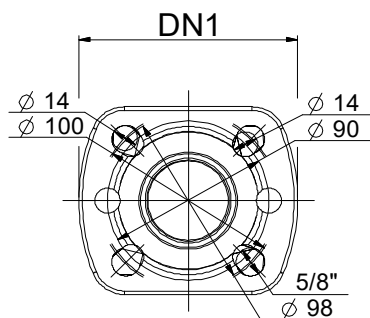
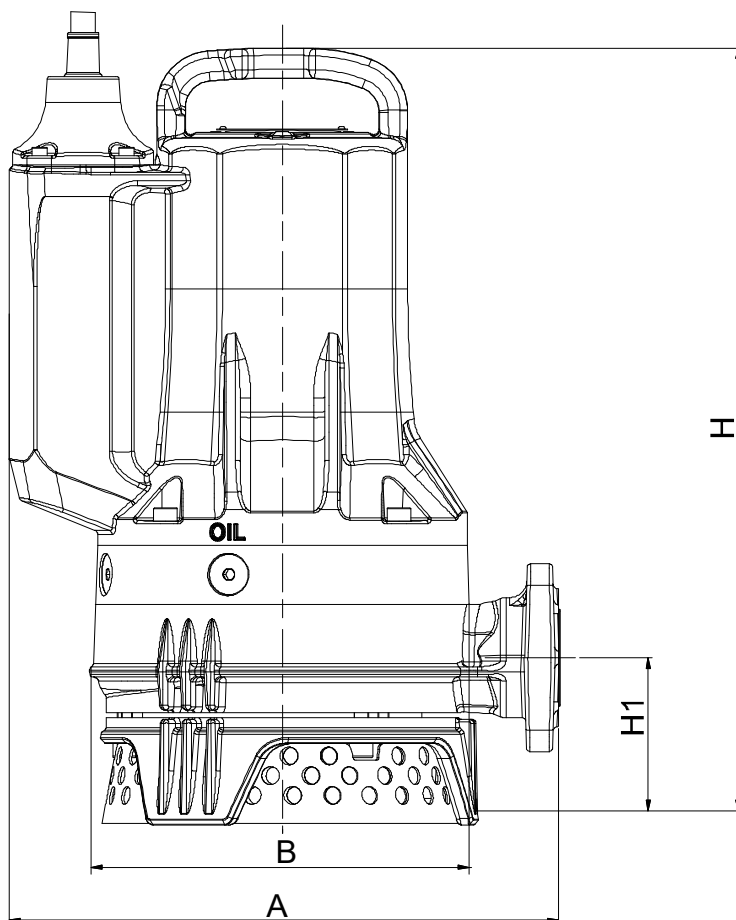
DAB PUMPS S.p.A.
Via Marco Polo, 14 - 35035 Mestrino (PD), Italy
Tel. +39 049 5125000 - Fax +39 049 5125950
www.dabpumps.com

Destinatar

Expeditor

Firma
Referinta
Adresa
Phone
Fax
E-mail

DRENAG FX 15.15 T-NA



Dimensiuni in mm

1	A	306
2	B	215
3	DN1	32, 40
4	GAS	Rp 1"1/2
5	H	421
6	H1	95
7		
8		
9		
10		
11		
12		

Racorduri pompa:

Aspiratie

Refulare
Rp 1"1/2 - DN 32 PN10/6, DN 40 PN6
--

MAIN_PROJECT_TITLE

BUSINESS_PROCESS_ID

OWNER

ISSUE_DATE

09/04/2020