

### Destinatar

Firma  
Referinta  
Adresa  
Phone  
Fax  
E-mail

### Expeditor

#### Cod articol :

60191237

#### Articol:

DRENAG FX 15.11 M-NA

Tip de instalatie:

Wet - Pump only

#### Date pompa

Free passage : 10 mm  
Max. immersion depth : 20 m  
Temperatura min. fluid 0 °C  
Temperatura max. fluid 50 °C

#### Date de functionare cerute

Debit :  
Inaltime de pompare :  
Fluid pompat : Apă  
Temperatura fluid: 20 °C  
Densitate 998,3 kg/m³  
Vascozitate cinematica: 1,005 mm²/s  
Presiune de vapori: 2,34 kPa

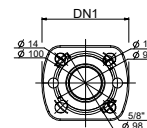
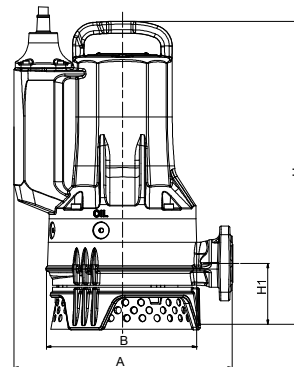
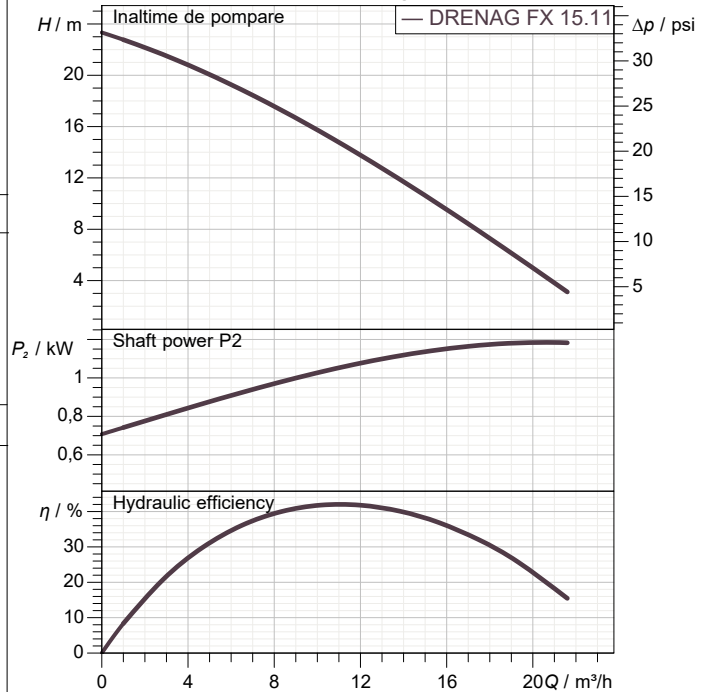
#### Date disponibile:

Debit :  
Inaltime de pompare :

#### Materiale

Maner Fonta EN GJL 200  
Pump body / motor Fonta EN GJL 200  
Rotor Cast iron (EN GJL 250)  
Etansare mec. completa pe partea pompei Sic/SIC-C  
Etansare mec. completa pe partea motorului Carbon  
Garnitura OR NBR  
Arbore motor Stainless Steel AISI 431

#### Curve tolerance according to ISO 9906



#### Date motor

Marca : DAB  
Putere nominala P<sub>2</sub>: 1,2 kW  
Viteza nominala: 2.870 1/min  
Tensiune nominala : 1~ 230 V 50 Hz  
Curent nominal : 6,8 A  
Grad de protectie: IP 68

Masa 35 kg

Accessory weight :

#### Dimensiuni de gabarit mm

Dimensiune	Valoare (mm)				
A	306				
B	215				
DN1	32, 40				
GAS	Rp 1"1/2				
H	412				
H1	95				

#### Racorduri pompa:

Partea cu aspiratia: --  
Partea cu refularea: Rp 1"1/2 - DN 32 PN10/6, DN 40 PN6

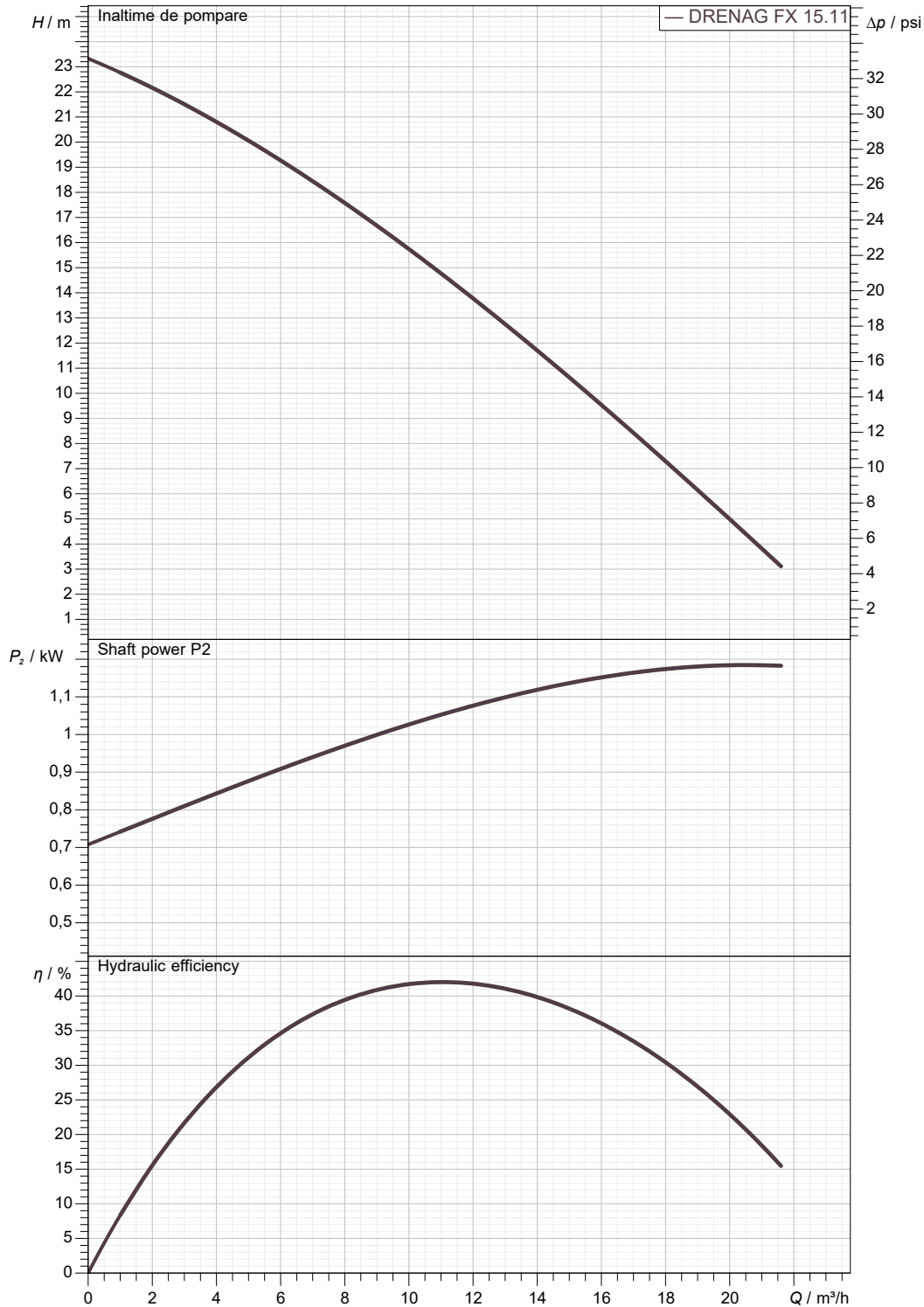
Destinatar

Expeditor

 Firma  
 Referinta  
 Adresa  
 Phone  
 Fax  
 E-mail

**DRENAG FX 15.11 M-NA**

Curve tolerance according to ISO 9906



Date disponibile:

Partea cu aspiratia:

 Partea cu refularea:  
 Rp 1"1/2 - DN 32 PN10/6, DN 40 PN6  
 --

Debit :

Înaltime de pompare :

 Viteza nominala:  
 2.870 1/min

MAIN\_PROJECT\_TITLE

BUSINESS\_PROCESS\_ID

OWNER\_

ISSUE\_DATE



# DESEN DIMENSIONAL

06/09/2021

Pagina 3 / 3

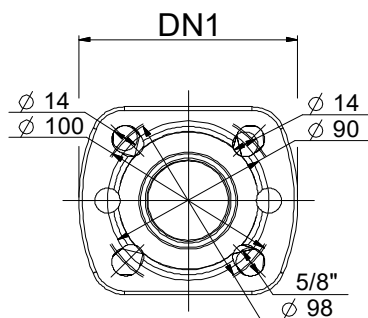
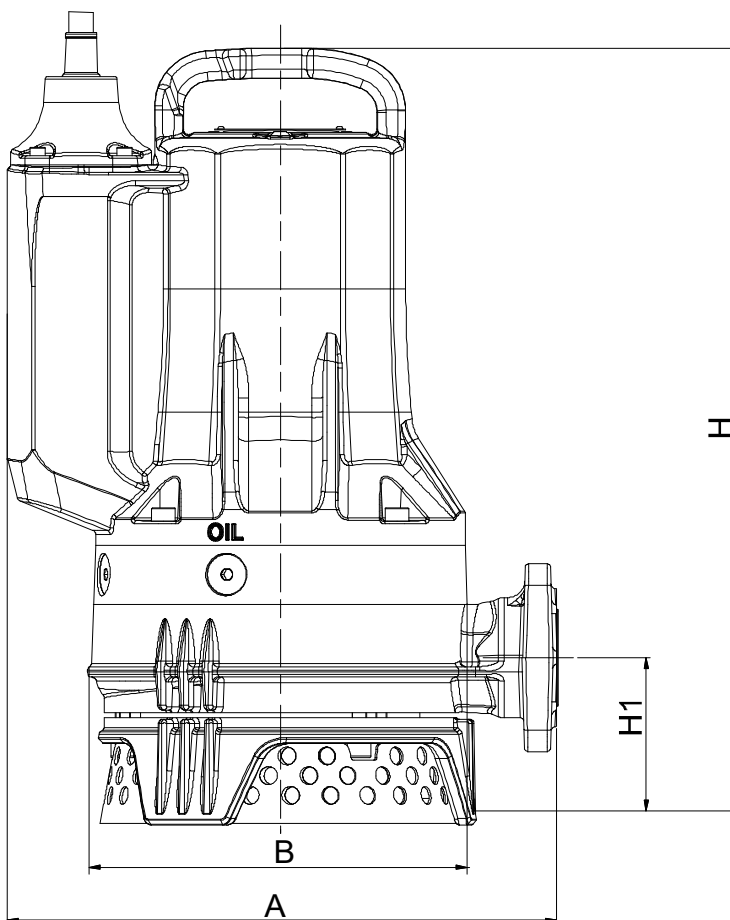
DAB PUMPS S.p.A.  
Via Marco Polo, 14 - 35035 Mestrino (PD), Italy  
Tel. +39 049 5125000 - Fax +39 049 5125950  
www.dabpumps.com

Destinatar

Expeditor

Firma  
Referinta  
Adresa  
Phone  
Fax  
E-mail

## DRENAG FX 15.11 M-NA



**Dimensiuni in mm**

1	A	306
2	B	215
3	DN1	32, 40
4	GAS	Rp 1"1/12
5	H	412
6	H1	95
7		
8		
9		
10		
11		
12		

**Racorduri pompa:**

Aspiratie  
  
Refulare  
Rp 1"1/2 - DN 32 PN10/6, DN 40 PN6  
--

MAIN\_PROJECT\_TITLE

BUSINESS\_PROCESS\_ID

OWNER

ISSUE\_DATE