

Destinatar

Firma
Referinta
Adresa
Phone
Fax
E-mail

Expeditor

Cod articol :

505934622

Articol:

DPH 60/280.50 T

Date pompa

Presiune nominala: PN 10
Temperatura min. fluid -10 °C
Temperatura max. fluid 120 °C

Presiune minima la nivelul apei:

Temperatura : °C 75 90 110 120
Presiune minima la nivelul apei: m 1.6 6 -- 19

Date de functionare cerute

Debit :
Inaltime de pompare :
Fluid pompat (%) :
Temperatura fluid: 20 °C
Densitate 998.3 kg/m³
Vasozitate cinematica: 1.005 mm²/s
Presiune de vapori: 2.34 kPa

Date disponibile:

Debit :
Inaltime de pompare :

Materiale

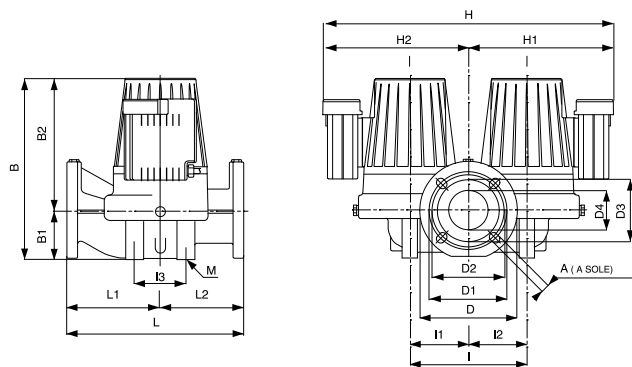
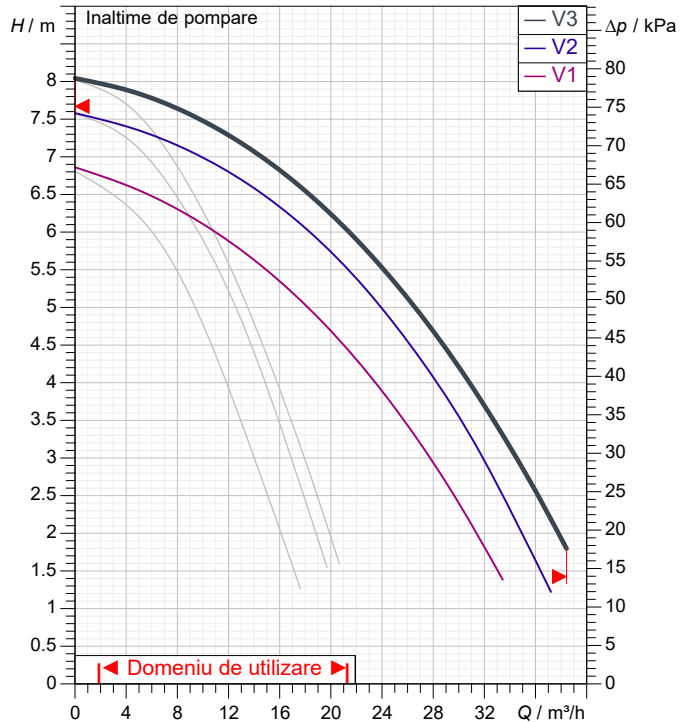
Corp pompa Fonta 200 UNI ISO 185
Rotor Tecpolimer B
Arbore motor AISI 420 C imbunatatit
Dop dezaerator Alama P Cu Zn40 Pb2 UNI 5705
Inel de etansare Etilen propilen EPDM
Carcasa motorului Aluminiu turnat la cald
Camasa stator AISI 321Bon. - AISI 304

Date motor

Marca : DAB
Putere absorbita P1 2 X 0.5891 kW
Viteza nominala: 2890 1/min
Tensiune nominala : 3~ 400 V 50 Hz
Curent nominal : 2 X 1.31 A
Grad de protectie: IP 44

Curve tolerance according to ISO 9906

Number of working motors : 2



Dimensiuni de gabarit mm

A	18	D	165	D4	50	I	240
B	308	D1	125	H	554	I1	120
B1	73	D2	110	H1	278	I2	120
B2	235	D3	90	H2	278	I3	120

Masa 44.5 kg

Racorduri pompa:

Partea cu aspiratia: DN 50 / PN 10
Partea cu refularea: DN 50 / PN 10



CURBELOR CARACTERISTICE

01/05/202

Pagina 2 / 3

DAB PUMPS S.p.A.
Via Marco Polo, 14 - 35035 Mestrino (PD), Italy
Tel. +39 049 5125000 - Fax +39 049 5125950
www.dabpumps.com

Destinatar

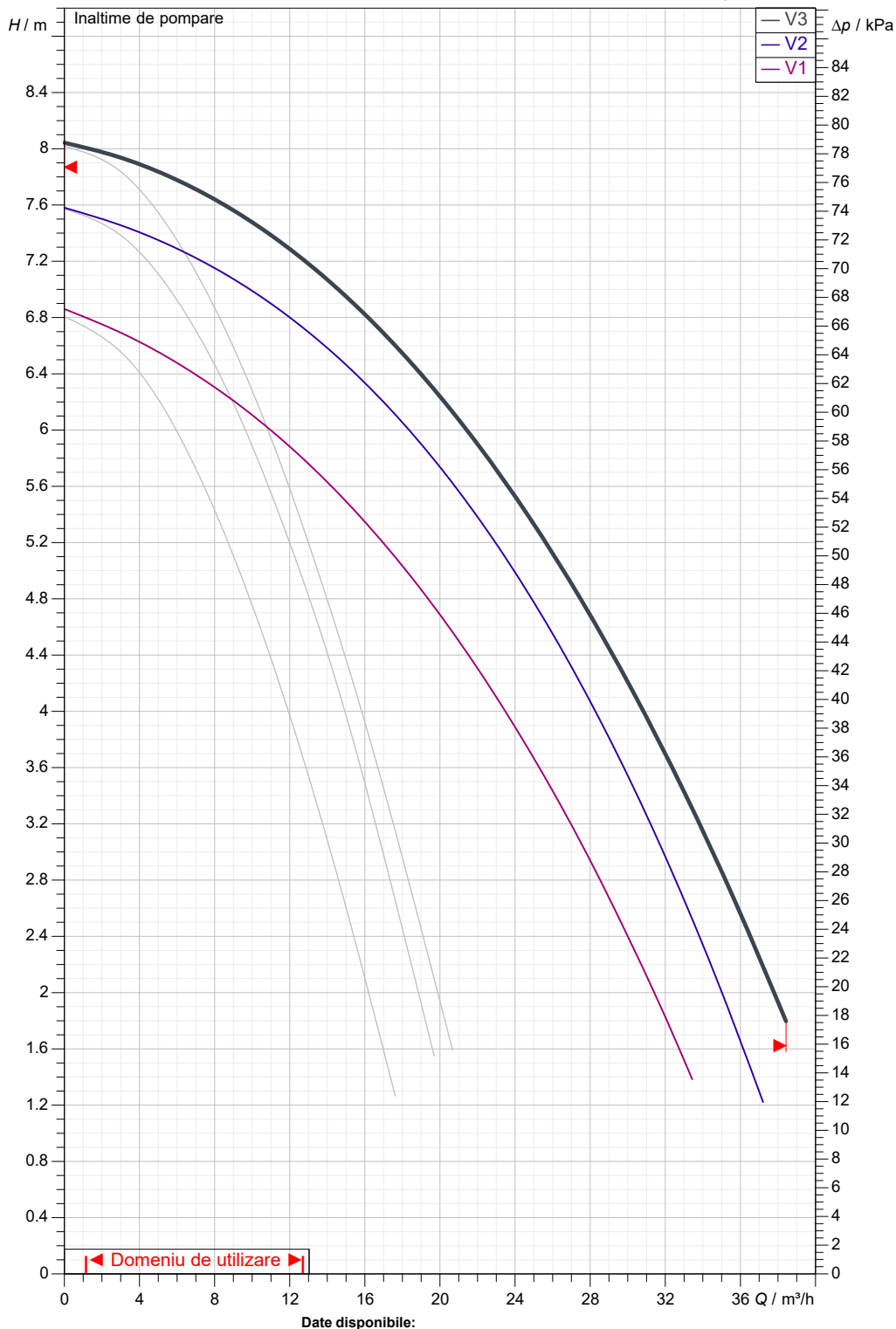
Expeditor

Firma
Referinta
Adresa
Phone
Fax
E-mail

DPH 60/280.50 T

Number of working motors : 2

Curve tolerance according to ISO 9906



Partea cu aspiratia:

DN 50

PN 10

Partea cu refularea:

DN 50

PN 10

Debit :

Înaltime de pompare :

Viteza nominala:

2890 1/min

MAIN_PROJECT_TITLE

BUSINESS_PROCESS_ID

OWNER_

ISSUE_DATE



DESEN DIMENSIONAL

01/05/202

Pagina 3 / 3

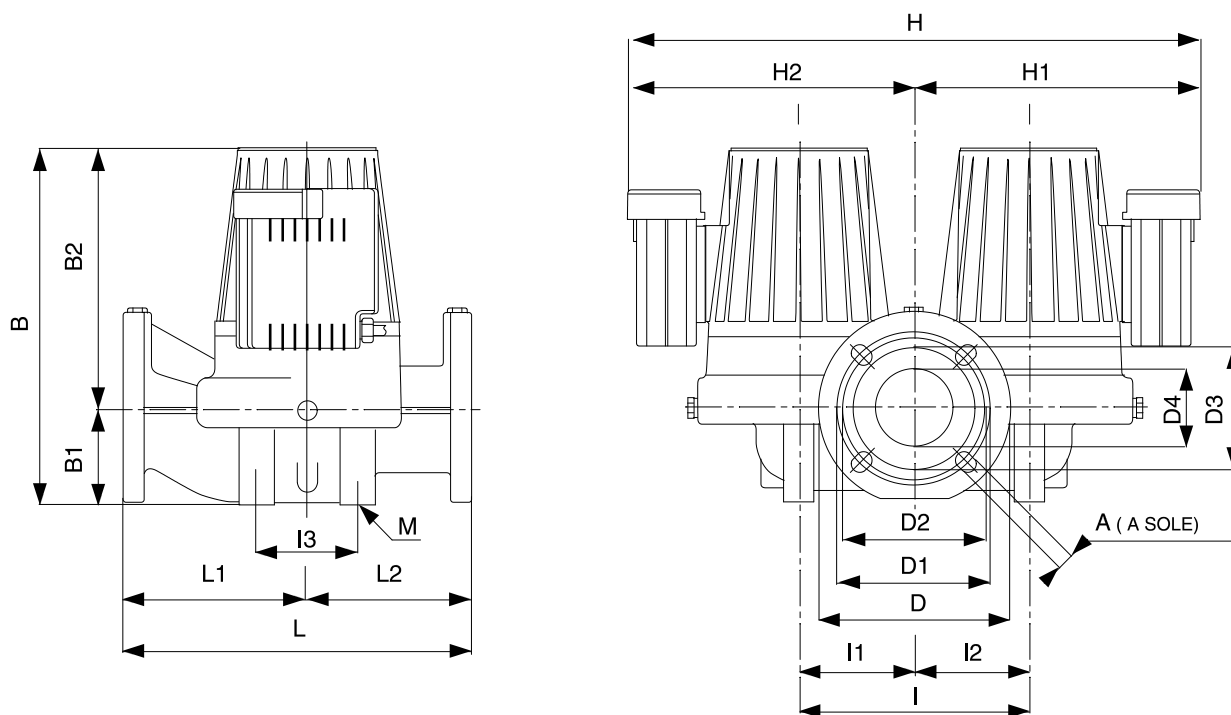
DAB PUMPS S.p.A.
Via Marco Polo, 14 - 35035 Mestrino (PD), Italy
Tel. +39 049 5125000 - Fax +39 049 5125950
www.dabpumps.com

Destinatar

Expeditor

Firma
Referinta
Adresa
Phone
Fax
E-mail

DPH 60/280.50 T



Dimensiuni in mm

Racorduri pompa:

1	A	18	I	240		
2	B	308	I1	120		Aspiratie
3	B1	73	I2	120		DN 50
4	B2	235	I3	120		PN 10
5	D	165	L	280		
6	D1	125	L1	130		
7	D2	110	L2	150		Refulare
8	D3	90	M	M14		DN 50
9	D4	50				PN 10
10	H	554				
11	H1	278				
12	H2	278				

MAIN_PROJECT_TITLE

BUSINESS_PROCESS_ID

OWNER

ISSUE_DATE