

### Destinatar

Firma  
Referinta  
Adresa  
Phone  
Fax  
E-mail

### Expeditor

### Cod articol :

60180007

### Articol:

2 KV 10/8 T IE3

### Date pompa

MEI  $\geq 0,40$

Presiune nominala: 16 bar (1600 kPa)

Temperatura min. fluid -15 °C

Temperatura max. fluid 90 °C

Temperatura max. ambianta 40 °C

### Date de functionare cerute

Debit :

Inaltime de pompare :

Fluid pompat : Apă

Temperatura fluid: 20 °C

Densitate 998.3 kg/m<sup>3</sup>

Vascozitate cinematica: 1.005 mm<sup>2</sup>/s

Presiune de vapori: 2.34 kPa

### Date disponibile:

Debit :

Inaltime de pompare :

### Date motor (1 motor):

Brand: DAB

Putere nominala P2: 2.2 kW

Viteza nominala: 2850 1/min

Tensiune nominala : 3~ 400 V 50 Hz

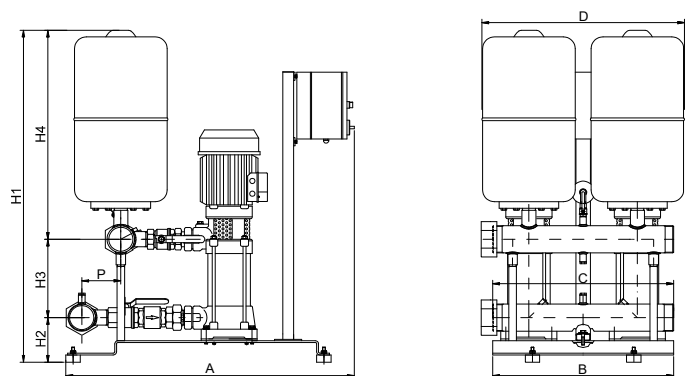
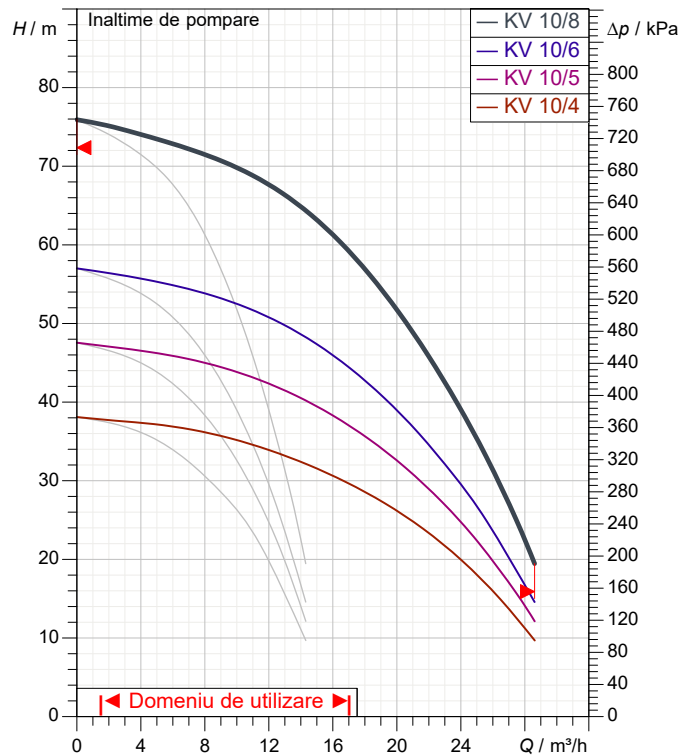
Curent nominal : 6.8 A

Grad de protectie: IP 55

### Dimensiuni de gabarit mm

A	798		
B	500		
C	500		
D	560		
DNA	2"1/2		
DNM	2"1/2		
H1	1053		
H2	125		
H3	348		
H4	580		
P	108		

### Curve tolerance according to ISO 9906



**Masa** 132 kg

### Racorduri pompa:

Partea cu aspiratia: 2" 1/2 / 16 bar (1600 kPa)

Partea cu refularea: 2" 1/2 / 16 bar (1600 kPa)



# CURBELOR CARACTERISTICE

01/22/202

Pagina 2 / 3

DAB PUMPS S.p.A.  
Via Marco Polo, 14 - 35035 Mestrino (PD), Italy  
Tel. +39 049 5125000 - Fax +39 049 5125950  
www.dabpumps.com

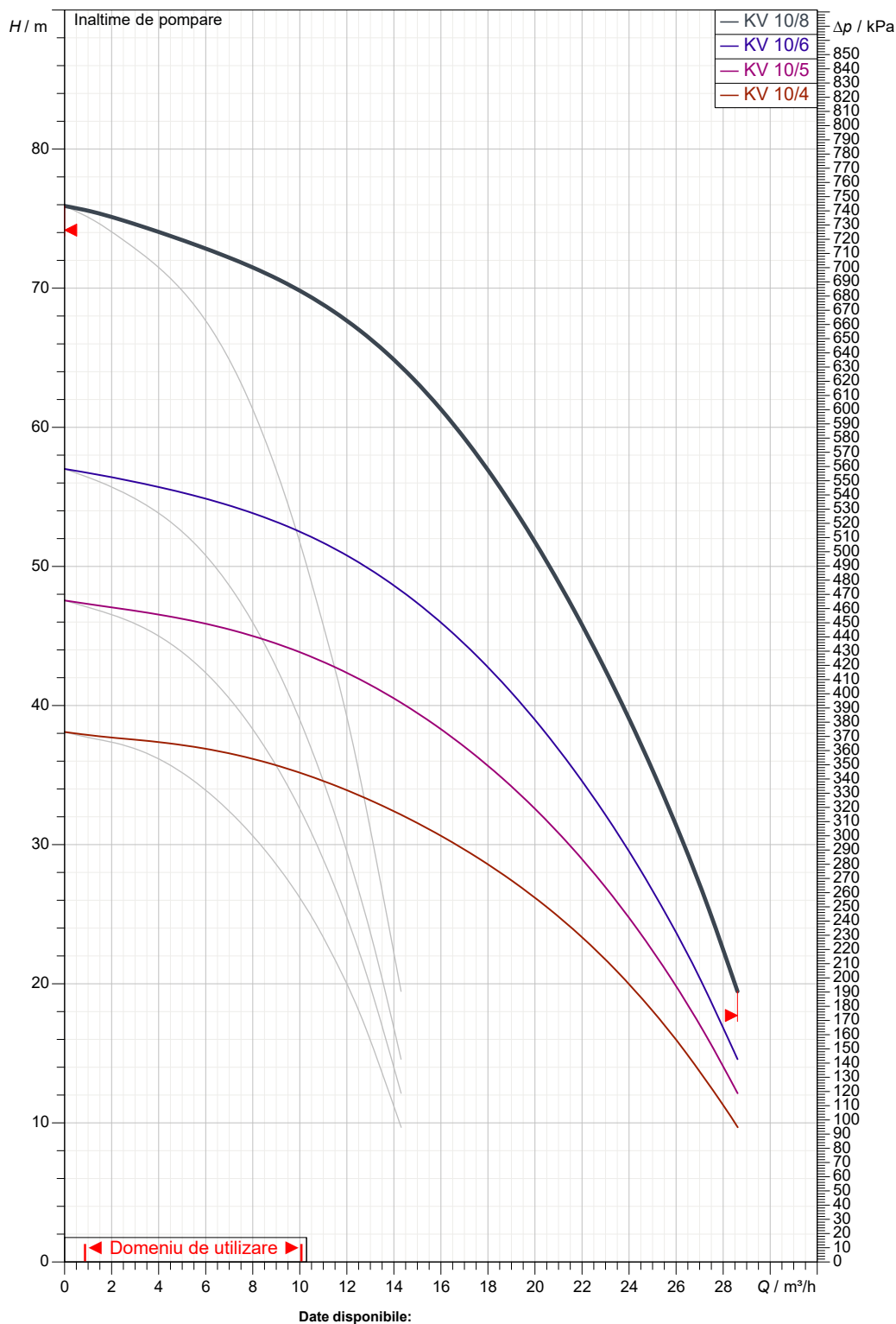
Destinatar

Expeditor

Firma  
Referinta  
Adresa  
Phone  
Fax  
E-mail

## 2 KV 10/8 T IE3

Curve tolerance according to ISO 9906



Partea cu aspiratia:  
2" 1/2  
16 bar (1600 kPa)

Partea cu refularea:  
2" 1/2  
16 bar (1600 kPa)

Debit :

Înaltime de pompare :

Viteza nominala:  
2850 1/min

MAIN\_PROJECT\_TITLE

BUSINESS\_PROCESS\_ID

OWNER\_

ISSUE\_DATE



# DESEN DIMENSIONAL

01/22/202

Pagina 3 / 3

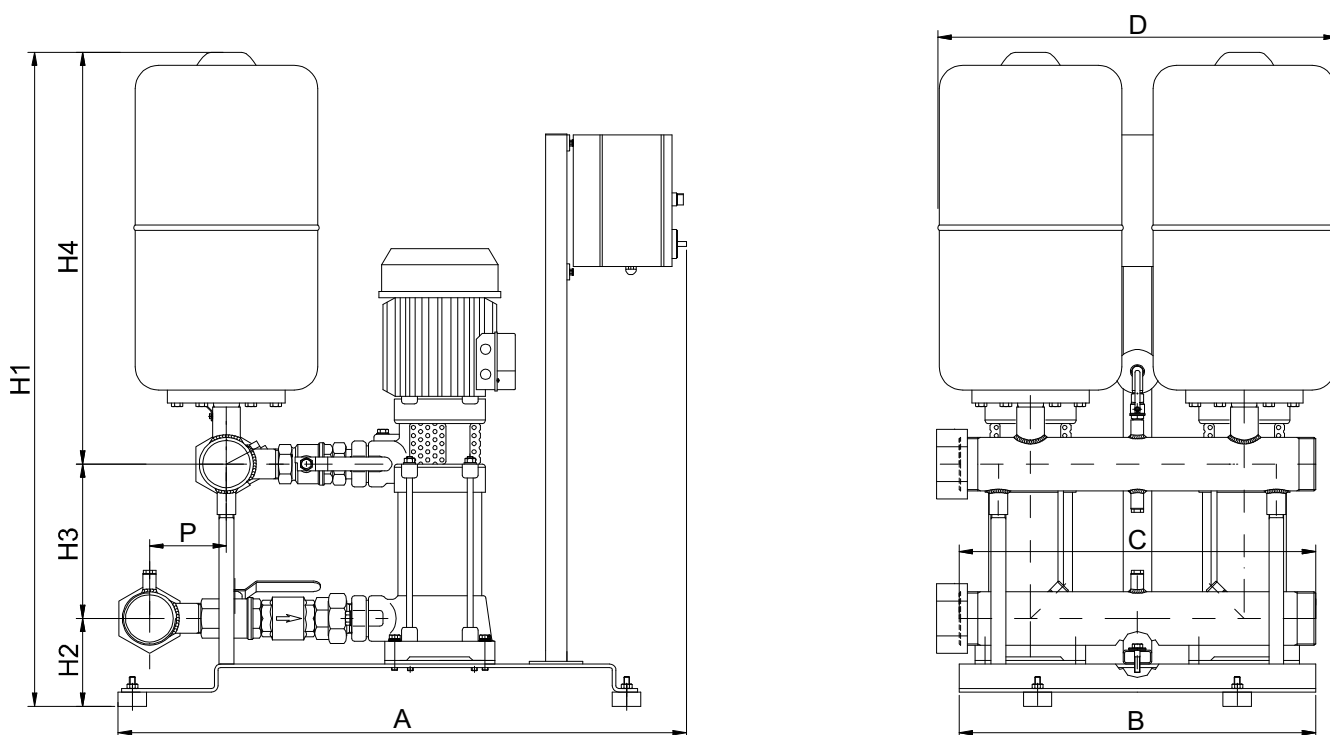
DAB PUMPS S.p.A.  
Via Marco Polo, 14 - 35035 Mestrino (PD), Italy  
Tel. +39 049 5125000 - Fax +39 049 5125950  
www.dabpumps.com

Destinatar

Expeditor

Firma  
Referinta  
Adresa  
Phone  
Fax  
E-mail

## 2 KV 10/8 T IE3



### Dimensiuni in mm

1	A	798
2	B	500
3	C	500
4	D	560
5	DNA	2"1/2
6	DNM	2"1/2
7	H1	1053
8	H2	125
9	H3	348
10	H4	580
11	P	108
12		

### Racorduri pompa:

Aspiratie  
2" 1/2  
16 bar (1600 kPa)

Refulare  
2" 1/2  
16 bar (1600 kPa)

MAIN\_PROJECT\_TITLE

BUSINESS\_PROCESS\_ID

OWNER

ISSUE\_DATE