

Destinatar

Firma
Referinta
Adresa
Phone
Fax
E-mail

Expeditor

Cod articol :

60168883

Articol:

K 12/200 M

Date pompa

MEI $\geq 0,70$

Presiune nominala: 6 bar (600 kPa)

Temperatura min. fluid -10 °C

Temperatura max. fluid 50 °C

Temperatura max. ambianta 40 °C

Date de functionare cerute

Debit :

Înaltime de pompare :

Fluid pompat : Apă

Temperatura fluid: 20 °C

Densitate 998.3 kg/m³

Vascozitate cinematica: 1.005 mm²/s

Presiune de vapori: 2.34 kPa

Date disponibile:

Debit :

Înaltime de pompare :

NPSH :

Shaft power P2 :

Efficiency :

Materiale

Corp pompa Fonta 200 UNI ISO 185

Suport Fonta 200 UNI ISO 185

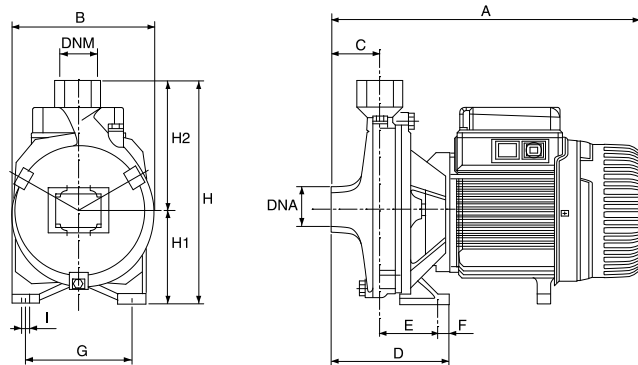
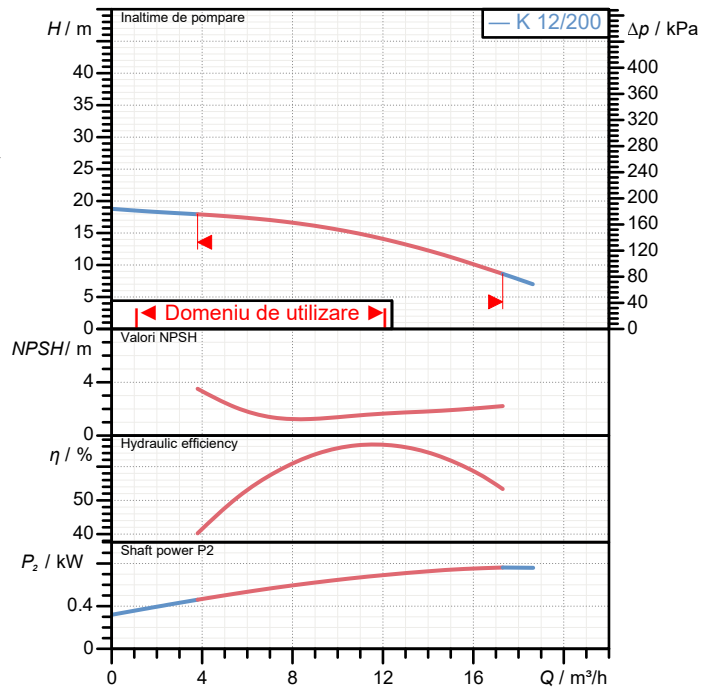
Rotor Tecnopolimer A

Etansare mecanica Carbon/Ceramica

Garnitura OR Cauciuc NBR

Arbore cu rotor AISI 416 X12 CrS 13 UNI 6900/71

Curve tolerance according to ISO 9906



Masa 13.7 kg

Date motor

Marca : DAB

Putere nominala P2: 0.75 kW

Viteza nominala: 2790 1/min

Tensiune nominala : 1~ 220-240 V 50 Hz

Curent nominal : 5.2 A

Grad de protecție: IP 44

Dimensiuni de gabarit mm

A	325
B	173
C	45
D	118
DNA	1"1/2 G-M
DNM	1"1/2 G-M
E	58
F	15
G	110
H	218
H1	85
H2	125
I	9.5

Racorduri pompa:

Partea cu aspiratia: 1" 1/2 G-M 6 bar (600 kPa)

Partea cu refularea: 1" 1/2 G-M 6 bar (600 kPa)



WATER • TECHNOLOGY

CURBELOR CARACTERISTICE

01/04/2021

Pagina 2 / 3

DAB PUMPS S.p.A.
Via Marco Polo, 14 - 35035 Mestrino (PD), Italy
Tel. +39 049 5125000 - Fax +39 049 5125950
www.dabpumps.com

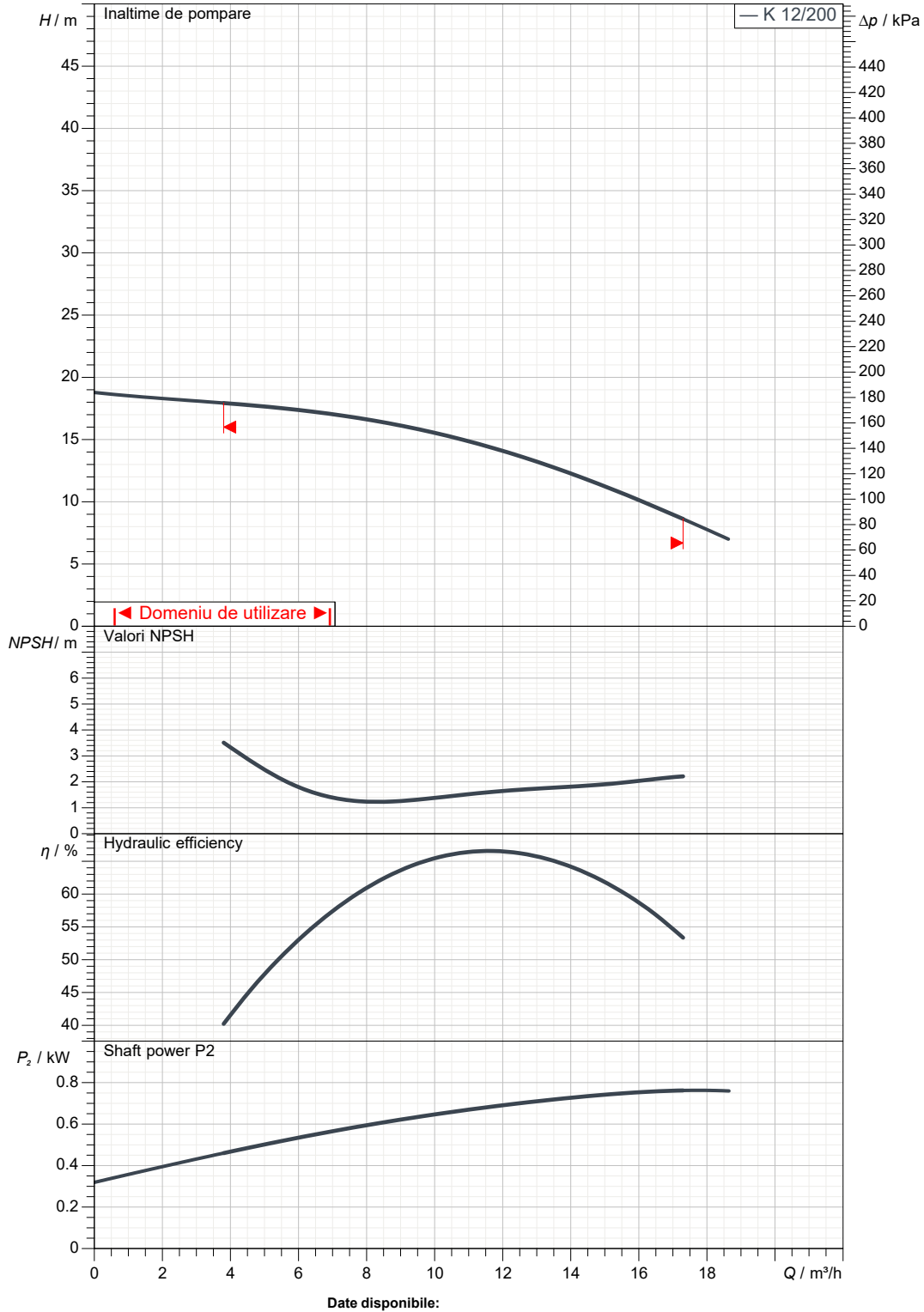
Destinatar

Expeditor

Firma
Referinta
Adresa
Phone
Fax
E-mail

K 12/200 M

Curve tolerance according to ISO 9906



Partea cu aspiratia:
1" 1/2 G-M
6 bar (600 kPa)

Partea cu refularea:
1" 1/2 G-M
6 bar (600 kPa)

Debit :

Înaltime de pompare :

Viteza nominala:
2790 1/min

MAIN_PROJECT_TITLE

BUSINESS_PROCESS_IC

OWNER_

ISSUE_DATE



DESEN DIMENSIONAL

01/04/202

Pagina 3 / 3

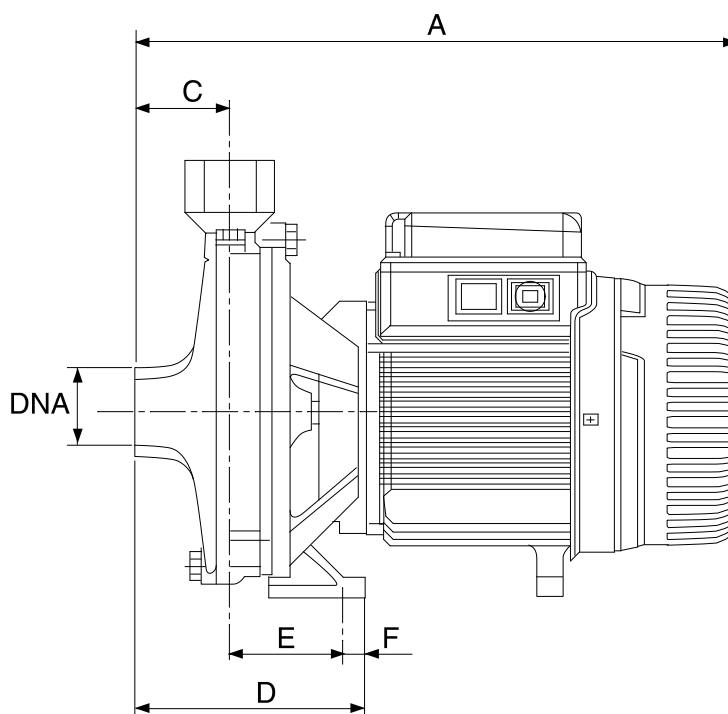
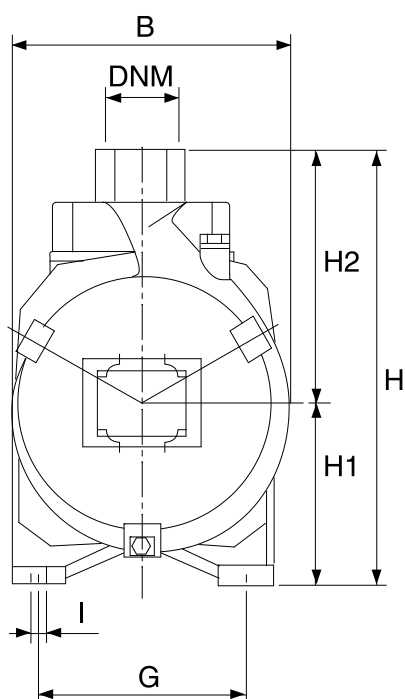
DAB PUMPS S.p.A.
Via Marco Polo, 14 - 35035 Mestrino (PD), Italy
Tel. +39 049 5125000 - Fax +39 049 5125950
www.dabpumps.com

Destinatar

Expeditor

Firma
Referinta
Adresa
Phone
Fax
E-mail

K 12/200 M



Dimensiuni in mm

Racorduri pompa:

1	A	325	I	9.5			
2	B	173					
3	C	45					Aspiratie
4	D	118					1" 1/2 G-M
5	DNA	1"1/2 G-M					6 bar (600 kPa)
6	DNM	1"1/2 G-M					
7	E	58					Refulare
8	F	15					1" 1/2 G-M
9	G	110					6 bar (600 kPa)
10	H	218					
11	H1	85					
12	H2	125					

MAIN_PROJECT_TITLE	BUSINESS_PROCESS_ID	OWNER	ISSUE_DATE
--------------------	---------------------	-------	------------