

Destinatar

 Firma
 Referinta
 Adresa
 Phone
 Fax
 E-mail

Expedito
Cod articol :

102662100

Articol:

JET 132 M-P

Date pompa

 Presiune nominala: 6 bar (600 kPa)
 Temperatura min. fluid 0 °C
 Temperatura max. fluid 35 °C
 Temperatura max. ambienta 40 °C

Capacitate de amorsare:

H	m	2	3	4	5	6	7	8	9
Q	m ³ /h	4.68	4.32	4.02	3.66	3.24	2.76	2.28	1.86

Date de functionare cerute

 Debit :
 Inaltime de pompare :
 Fluid pompat : Apă
 Temperatura fluid: 20 °C
 Densitate 998.3 kg/m³
 Viscositate cinematica: 1.005 mm²/s
 Presiune de vapori: 2.34 kPa

Date disponibile:

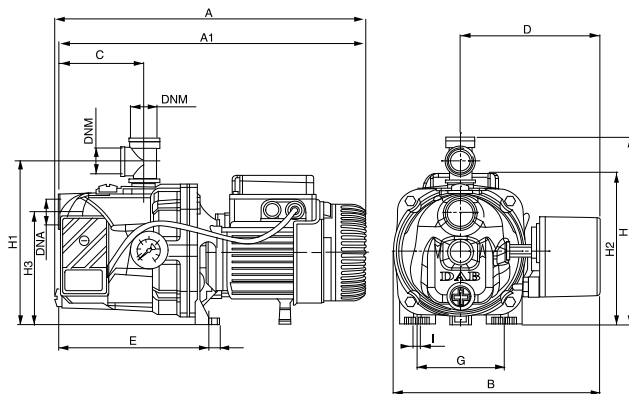
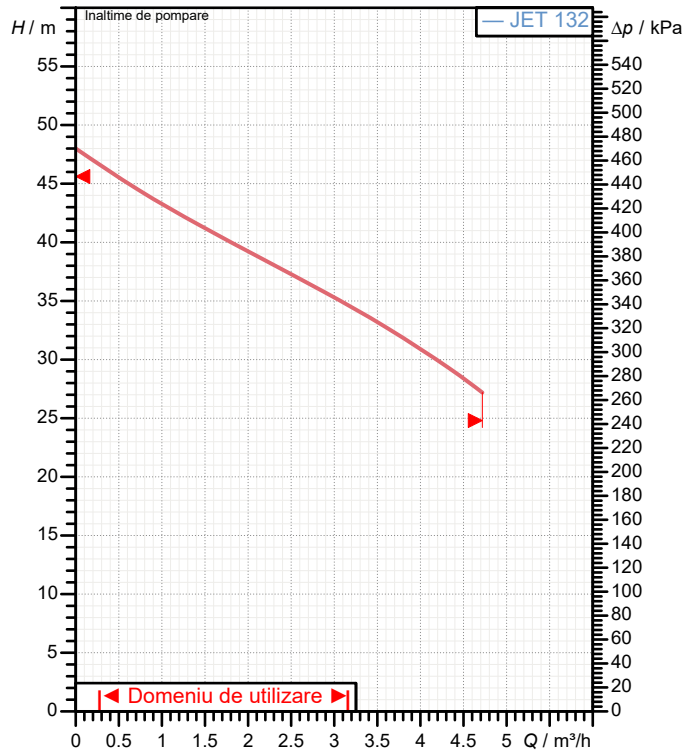
 Debit :
 Inaltime de pompare :

Materiale

 Corp pompa Fonta 200 UNI ISO 185
 Suport Aluminiu turnat la cald
 Rotor Tecnopolimer A
 Etansare mecanica Carbon/Ceramica
 Garnitura OR Cauciuc NBR
 Arbore cu rotor AISI 416 X12 CrS 13 UNI 6900/71
 Grup duza difuzor venturi Tecnopolimer A

Date motor

 Marca : DAB
 Putere nominala P2: 1 kW
 Viteza nominala: 2750 1/min
 Tensiune nominala : 1~ 230 V 50 Hz
 Curent nominal : 6.6 A
 Grad de protectie: IP 44

Curve tolerance according to ISO 9906

Dimensiuni de gabarit mm

A	414	D	177	F	14	H2	203
A1	390	DNA	1" G	G	111	H3	144
B	263	DNM	1" G	H	239	I	9
C	108	E	192	H1	209		

Masa 14.9 kg

Racorduri pompa:

 Partea cu aspiratia: 1" G / 6 bar (600 kPa)
 Partea cu refularea: 1" G / 6 bar (600 kPa)



CURBELOR CARACTERISTICE

12/11/2021

Pagina 2 / 3

DAB PUMPS S.p.A.
Via Marco Polo, 14 - 35035 Mestrino (PD), Italy
Tel. +39 049 5125000 - Fax +39 049 5125950
www.dabpumps.com

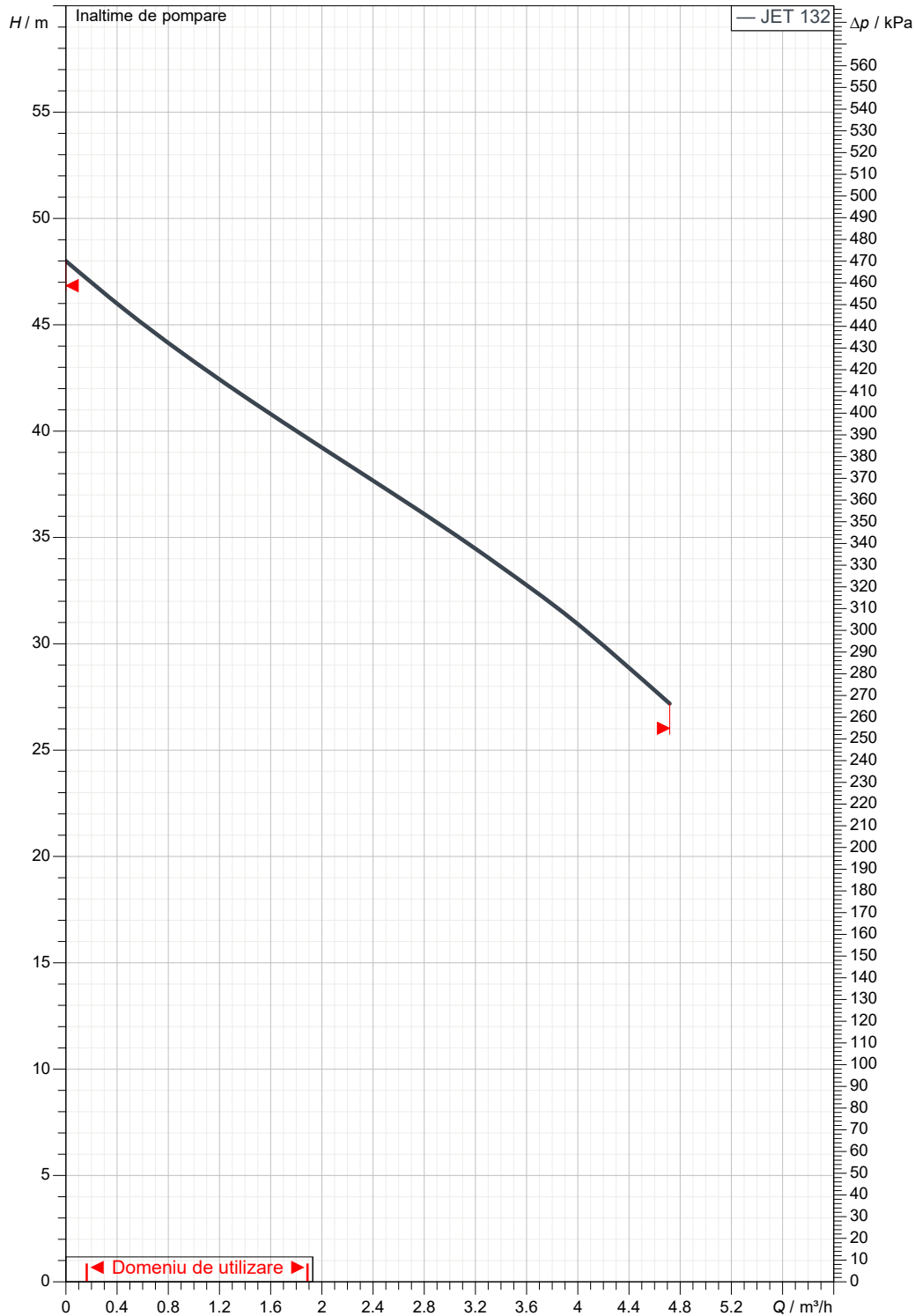
Destinatar

Expeditor

Firma
Referinta
Adresa
Phone
Fax
E-mail

JET 132 M-P

Curve tolerance according to ISO 9906



Date disponibile:

Partea cu aspiratia:
1" G
6 bar (600 kPa)

Partea cu refularea:
1" G
6 bar (600 kPa)

Debit :

Înaltime de pompare :

Viteza nominala:
2750 1/min

MAIN_PROJECT_TITLE

BUSINESS_PROCESS_IT

OWNER_

ISSUE_DATE



DESEN DIMENSIONAL

12/11/2021

Pagina 3 / 3

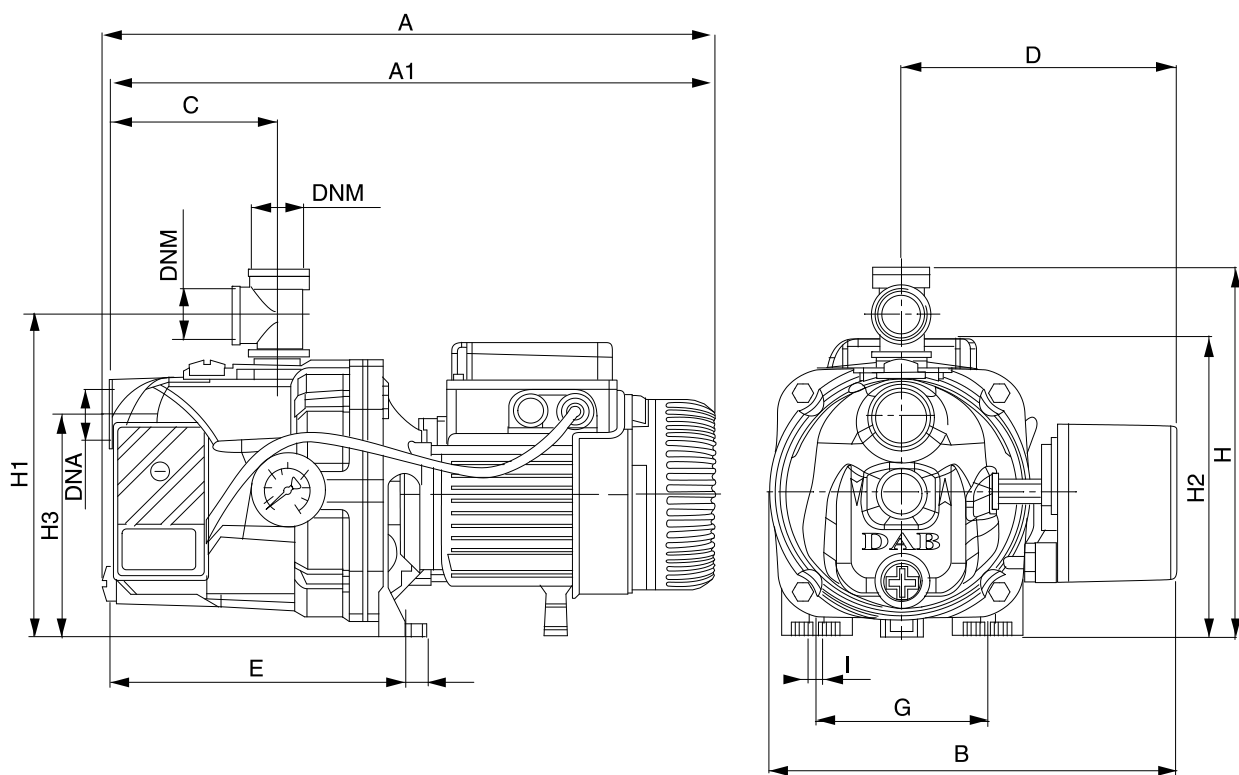
DAB PUMPS S.p.A.
Via Marco Polo, 14 - 35035 Mestrino (PD), Italy
Tel. +39 049 5125000 - Fax +39 049 5125950
www.dabpumps.com

Destinatar

Expeditor

Firma
Referinta
Adresa
Phone
Fax
E-mail

JET 132 M-P



Dimensiuni in mm

Racorduri pompa:

1	A	414	H2	203			
2	A1	390	H3	144			
3	B	263	I	9			Aspiratie
4	C	108					1" G
5	D	177					6 bar (600 kPa)
6	DNA	1" G					
7	DNM	1" G					
8	E	192					Refulare
9	F	14					1" G
10	G	111					6 bar (600 kPa)
11	H	239					
12	H1	209					

MAIN_PROJECT_TITLE

BUSINESS_PROCESS_ID

OWNER

ISSUE_DATE