

Destinatar

Firma
Referinta
Adresa
Phone
Fax
E-mail

Expeditor

Cod articol :

103040090

Articol:

FEKA VS 1000 M - NA

Date pompa

Free passage : 50 mm
Presiune nominala:
Temperatura min. fluid 0
Temperatura max. fluid 50 °C
Temperatura max. ambianta 40 °C

Date de functionare cerute

Debit :
Inaltime de pompare :
Fluid pompat : Apă
Temperatura fluid: 20 °C
Densitate 998.3 kg/m³
Vasozitate cinematica: 1.005 mm²/s
Presiune de vapori: 2.34 kPa

Date disponibile:

Debit :
Inaltime de pompare :

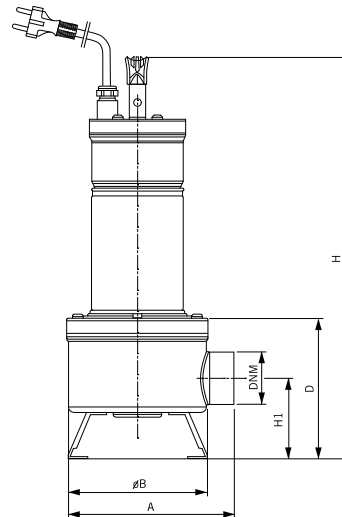
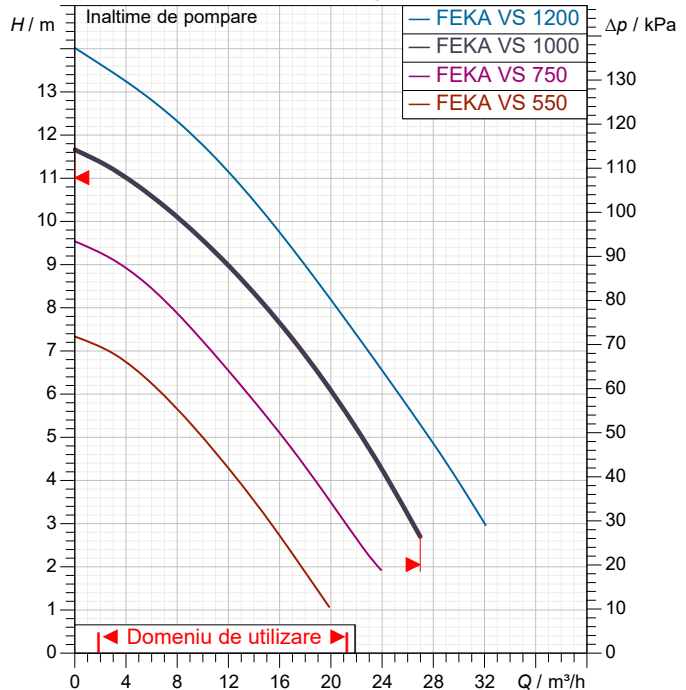
Materiale

Corp pompa AISI 304
Rotor AISI 304
Arbore motor AISI 316
Disc suport etansare AISI 304
Carcasa motorului AISI 304
Calota de protectie AISI 304
Etansare mec. completa pe partea pozitiva Silicon carbide/Silicon carbide

Date motor

Marca : DAB
Putere nominala P2: 1 kW
Viteza nominala: 2800 1/min
Tensiune nominala : 1~ 220-240 V 50 Hz
Curent nominal : 6.63 A
Grad de protectie: IP 68

Curve tolerance according to ISO 9906



Masa 19.3 kg

Dimensiuni de gabarit mm

A	203				
B	170				
D	172				
DNM	2" F				
H	537				
H1	98				

Racorduri pompa:

Partea cu aspiratia: /
Partea cu refularea: 2" F / --



CURBELOR CARACTERISTICE

05/25/202

Pagina 2 / 3

DAB PUMPS S.p.A.
Via Marco Polo, 14 - 35035 Mestrino (PD), Italy
Tel. +39 049 5125000 - Fax +39 049 5125950
www.dabpumps.com

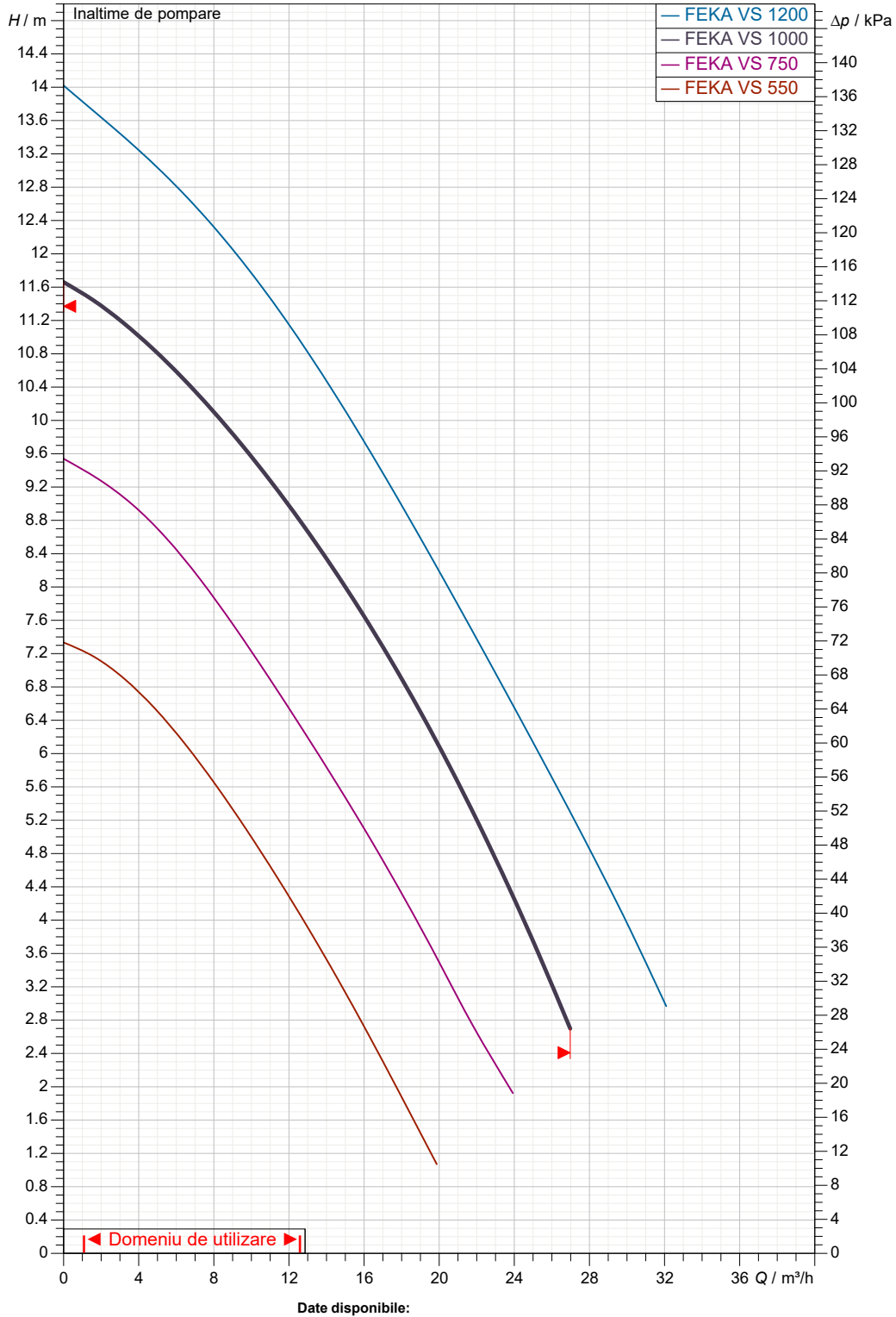
Destinatar

Expedito

Firma
Referinta
Adresa
Phone
Fax
E-mail

FEKA VS 1000 M - NA

Curve tolerance according to ISO 9906



Partea cu aspiratia:

Partea cu refularea:

Debit :

Înaltime de pompare :

Viteza nominala:

2" F
--

2800 1/min

MAIN_PROJECT_TITLE

BUSINESS_PROCESS_IT

OWNER_

ISSUE_DATE



DESEN DIMENSIONAL

05/25/202

Pagina 3 / 3

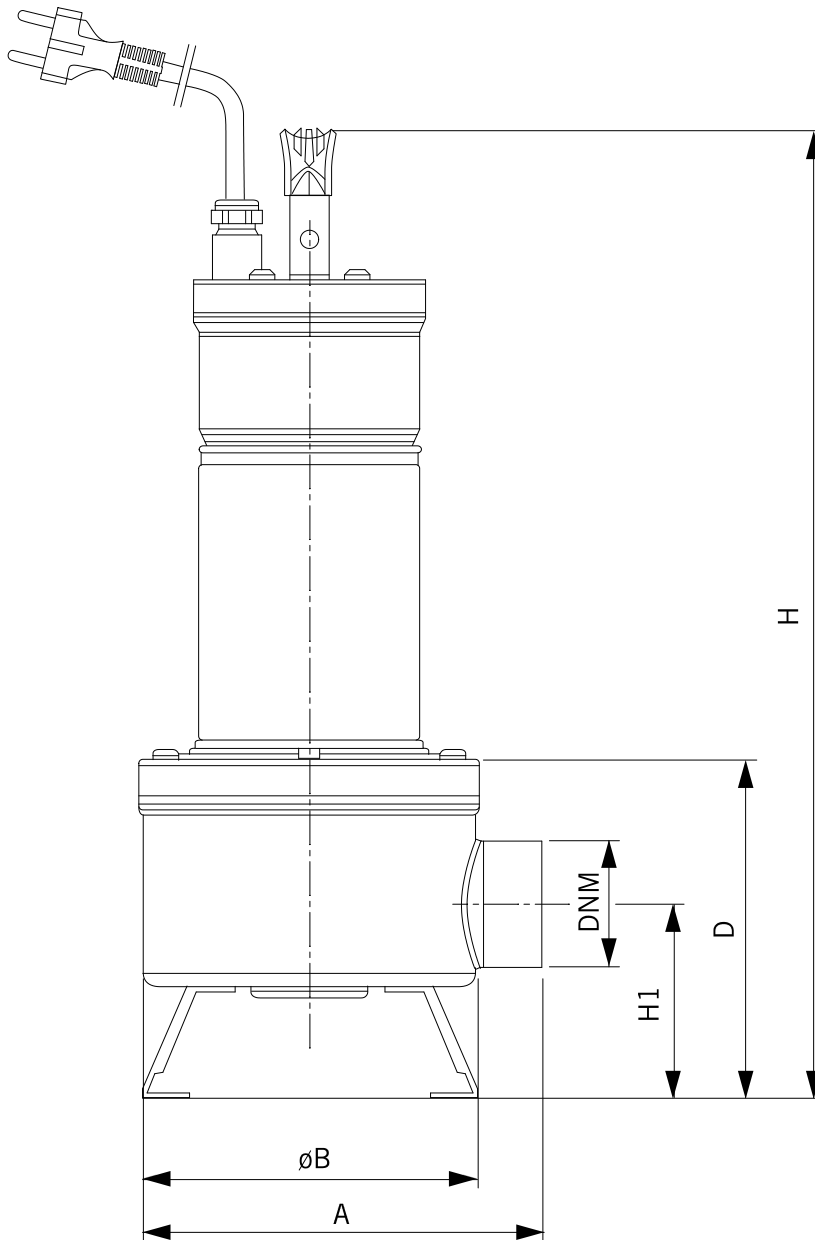
DAB PUMPS S.p.A.
Via Marco Polo, 14 - 35035 Mestrino (PD), Italy
Tel. +39 049 5125000 - Fax +39 049 5125950
www.dabpumps.com

Destinatar

Expeditor

Firma
Referinta
Adresa
Phone
Fax
E-mail

FEKA VS 1000 M - NA



Dimensiuni in mm

Racorduri pompa:

1
2
3
4
5
6
7
8
9
10
11
12

A
B
D
DNM
H
H1

203
170
172
2" F
537
98

Aspiratie

Refulare
2" F
--

MAIN_PROJECT_TITLE

BUSINESS_PROCESS_ID

OWNER

ISSUE_DATE