

Destinatar

Firma
Referinta
Adresa
Phone
Fax
E-mail

Expeditor

Cod articol :

102690880

Articol:

ACTIVE EI 40/80 M

Date pompa

Presiune nominala: 8 bar (800 kPa)
Temperatura min. fluid 0 °C
Temperatura max. fluid 35 °C
Temperatura max. ambienta 40 °C

Date de functionare cerute

Debit :
Inaltime de pompare :
Fluid pompat : Apă
Temperatura fluid: 20 °C
Densitate 998.3 kg/m³
Vascozitate cinematica: 1.005 mm²/s
Presiune de vapori: 2.34 kPa

Date disponibile:

Debit :
Inaltime de pompare :

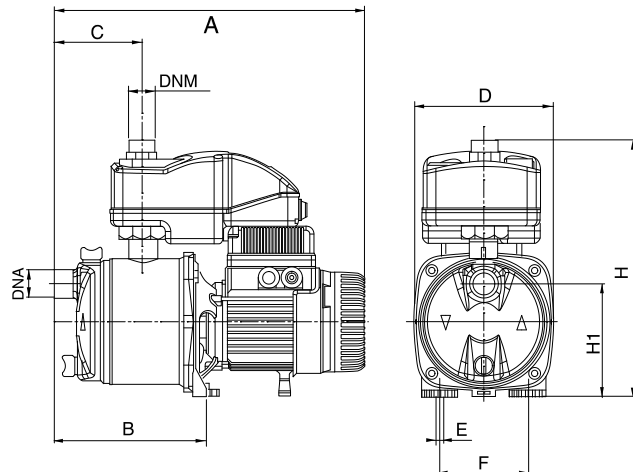
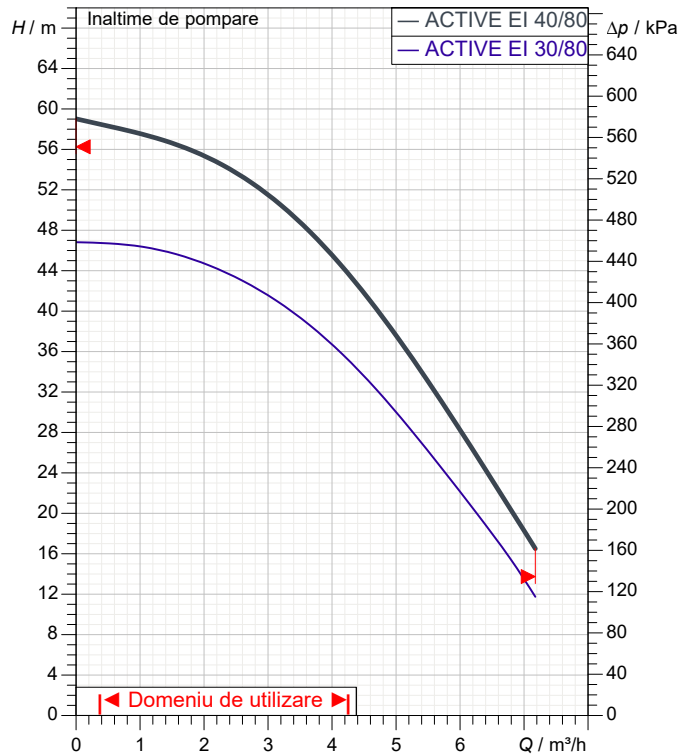
Materiale

Corp pompa AISI 304 X5 Cr Ni 1810 UNI 6900/71
Rotor Tecopolimer
Arbore cu rotor AISI 304 X5 Cr Ni 1810 UNI 6900/71
Garnitura OR NBR
Difuzor Tecopolimer
Etansare mecanica Carbon/Ceramica
Capac suport etansare AISI 304 X5 Cr Ni 1810 UNI 6900/71

Date motor

Marca : DAB
Putere nominala P2: 1 kW
Viteza nominala: 2800 1/min
Tensiune nominala : 1~ 220-240 V 50 Hz
Curent nominal : 6.5 A
Grad de protectie: IP 44

Curve tolerance according to ISO 9906



Masa 16 kg

Dimensiuni de gabarit mm

Dimensiune	Valoare (mm)
A	445
B	247
C	167
D	174
DNA	1" G
DNM	1" G
E	9
F	111
H	322
H1	141

Racorduri pompa:

Partea cu aspiratia: 1" G / 8 bar (800 kPa)
Partea cu refularea: 1" G / 8 bar (800 kPa)



CURBELOR CARACTERISTICE

07/01/2021

Pagina 2 / 3

DAB PUMPS S.p.A.
Via Marco Polo, 14 - 35035 Mestrino (PD), Italy
Tel. +39 049 5125000 - Fax +39 049 5125950
www.dabpumps.com

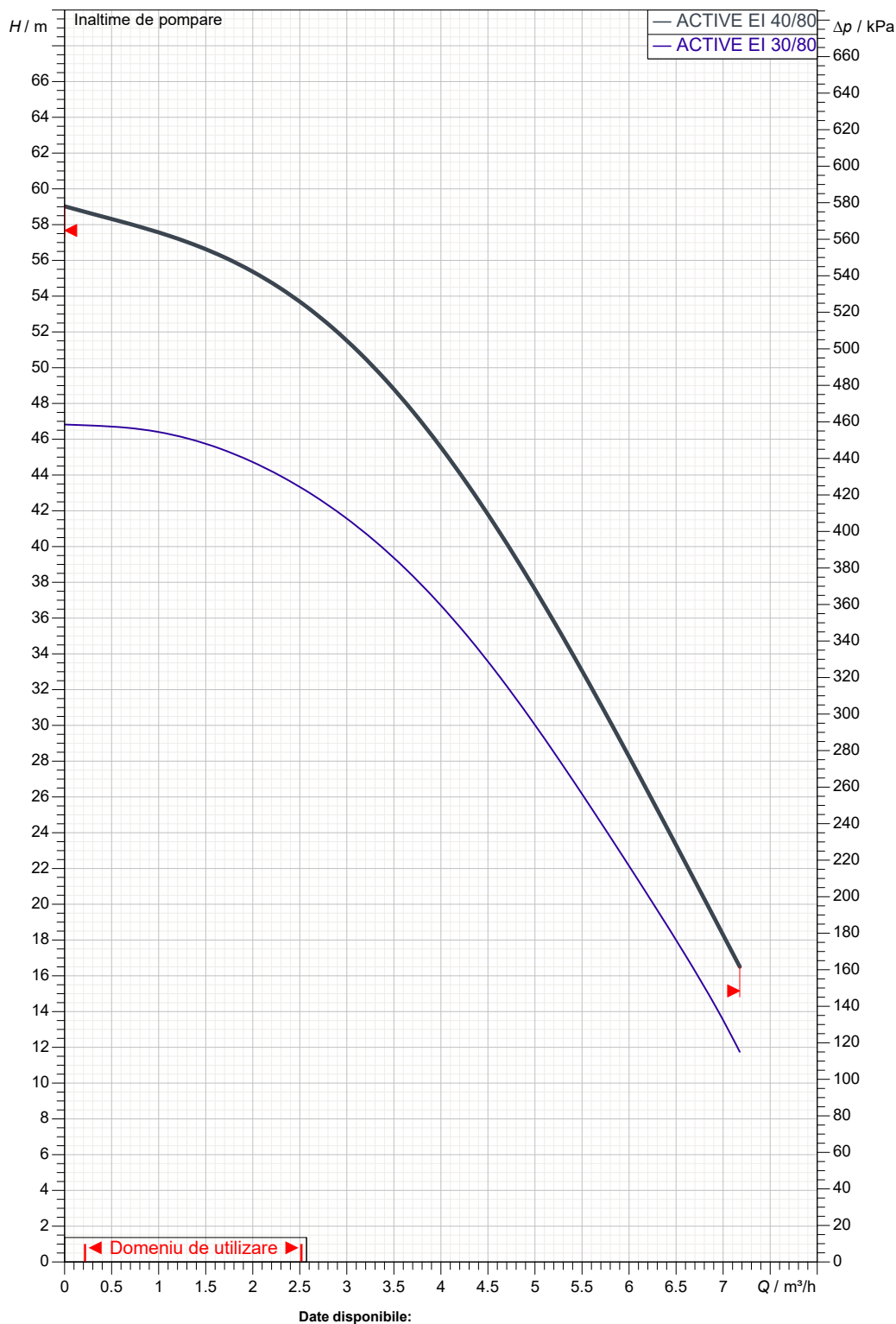
Destinatar

Expeditor

Firma
Referinta
Adresa
Phone
Fax
E-mail

ACTIVE EI 40/80 M

Curve tolerance according to ISO 9906



Date disponibile:

Partea cu aspiratia:
1" G
8 bar (800 kPa)

Partea cu refularea:
1" G
8 bar (800 kPa)

Debit :

Înaltime de pompare :

Viteza nominala:
2800 1/min

MAIN_PROJECT_TITLE

BUSINESS_PROCESS_IC

OWNER_

ISSUE_DATE



DESEN DIMENSIONAL

07/01/2021

Pagina 3 / 3

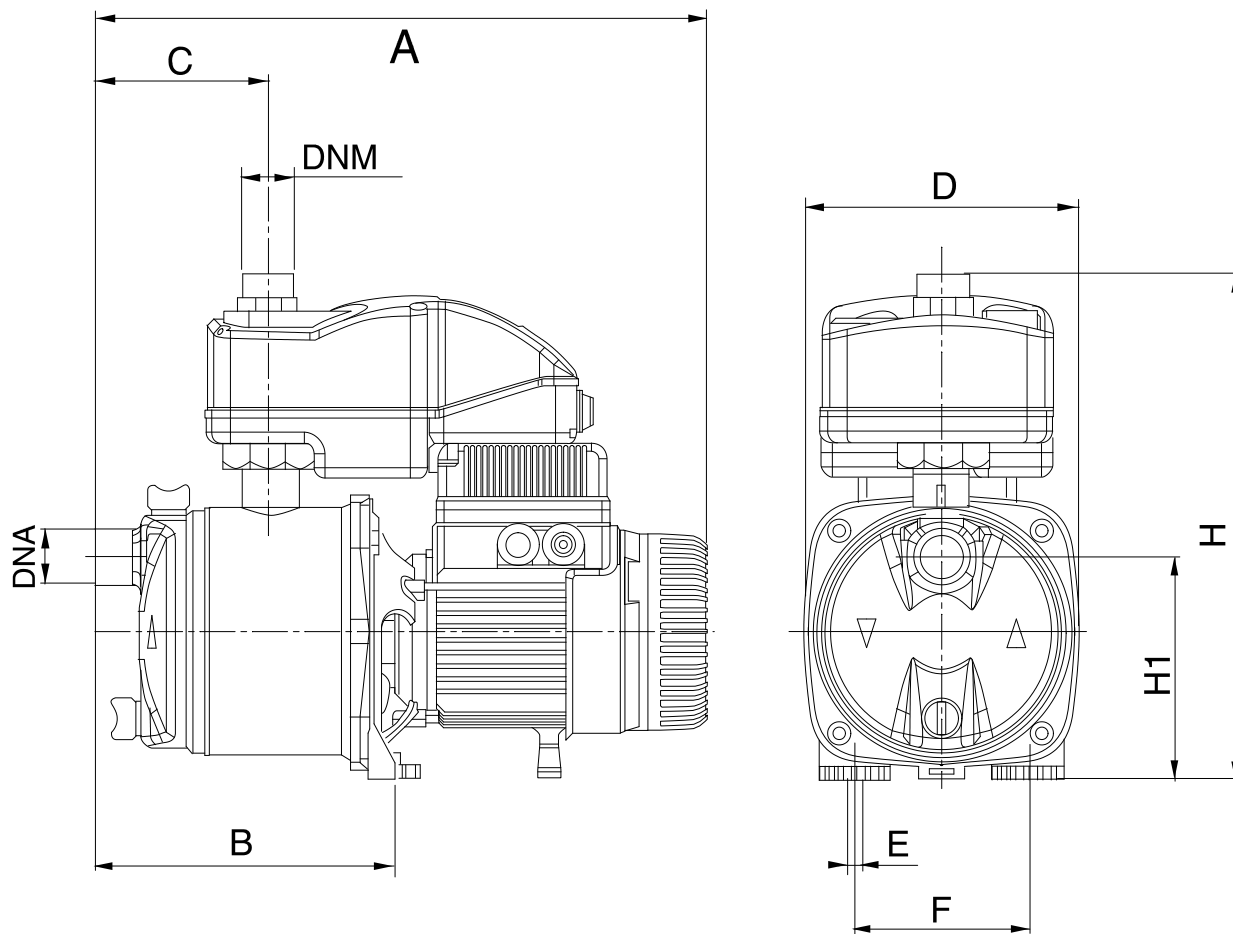
DAB PUMPS S.p.A.
Via Marco Polo, 14 - 35035 Mestrino (PD), Italy
Tel. +39 049 5125000 - Fax +39 049 5125950
www.dabpumps.com

Destinatar

Expeditor

Firma
Referinta
Adresa
Phone
Fax
E-mail

ACTIVE EI 40/80 M



Dimensiuni in mm

1	A	445
2	B	247
3	C	167
4	D	174
5	DNA	1" G
6	DNM	1" G
7	E	9
8	F	111
9	H	322
10	H1	141
11		
12		

Racorduri pompa:

Aspiratie
1" G
8 bar (800 kPa)

Refulare
1" G
8 bar (800 kPa)

MAIN_PROJECT_TITLE

BUSINESS_PROCESS_ID

OWNER

ISSUE_DATE