

Destinatar

Firma
Referinta
Adresa
Phone
Fax
E-mail

Expeditor

Cod articol :

60191222

Articol:

GRINDER FX 15.07 M-A

Tip de instalatie:

Wet - Pump only

Date pompa

Free passage : --
Max. immersion depth : 20 m
Temperatura min. fluid : 0 °C
Temperatura max. fluid : 50 °C

Date de functionare cerute

Debit :
Inaltime de pompare :
Fluid pompat : Apă
Temperatura fluid: 20 °C
Densitate : 998,3 kg/m³
Vascozitate cinematica: 1,005 mm²/s
Presiune de vapori: 2,34 kPa

Date disponibile:

Debit :
Inaltime de pompare :

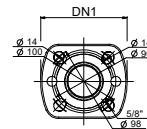
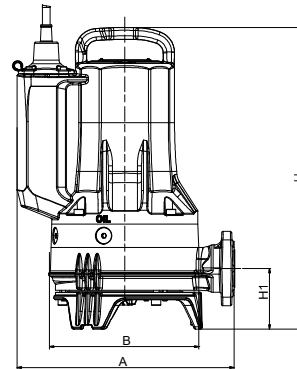
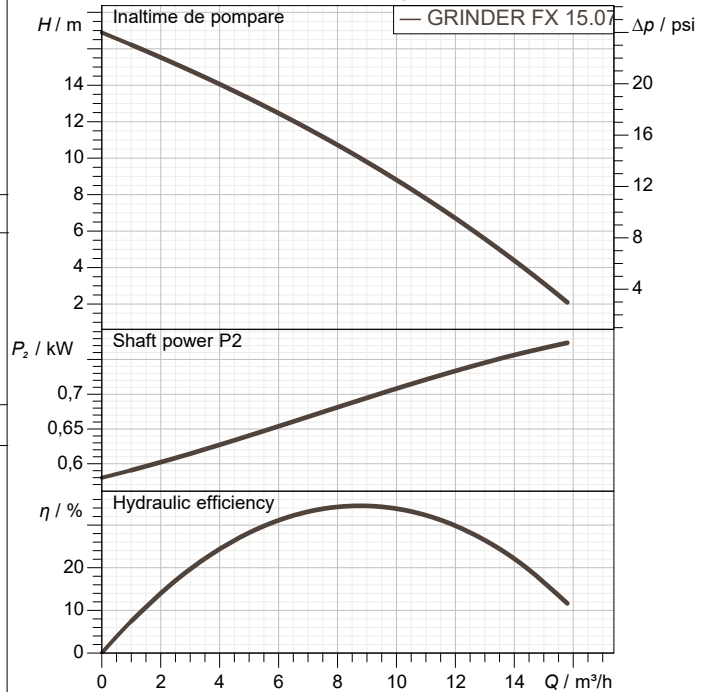
Materiale

Maner : Fonta EN GJL 200
Pump body / motor : Fonta EN GJL 200
Rotor : Cast iron (EN GJL 250)
Etansare mec. completa pe partea pompei : Sic/SIC-C
Etansare mec. completa pe partea motorului : Carbon
Garnitura OR : NBR
Cutter / Cutter Base : Steel EN1.4542 / AISI 630

Date motor

Marca : DAB
Putere nominala P2: 0,8 kW
Viteza nominala: 2.870 1/min
Tensiune nominala : 1~ 230 V 50 Hz
Curent nominal : 5,3 A
Grad de protectie: IP 68

Curve tolerance according to ISO 9906



Masa 35 kg Accessory weight :

Dimensiuni de gabarit mm

Dimensiune	Valoare (mm)				
A	306				
B	215				
DN1	32, 40				
GAS	Rp 1"1/12				
H	404				
H1	87				

Racorduri pompa:

Partea cu aspiratia: --
Partea cu refularea: Rp 1"1/2 - DN 32 PN10/6, DN 40 PN6



WATER TECHNOLOGY

CURBELOR CARACTERISTICE

07/30/2021

Pagina 2 / 3

DAB PUMPS S.p.A.
Via Marco Polo, 14 - 35035 Mestrino (PD), Italy
Tel. +39 049 5125000 - Fax +39 049 5125950
www.dabpumps.com

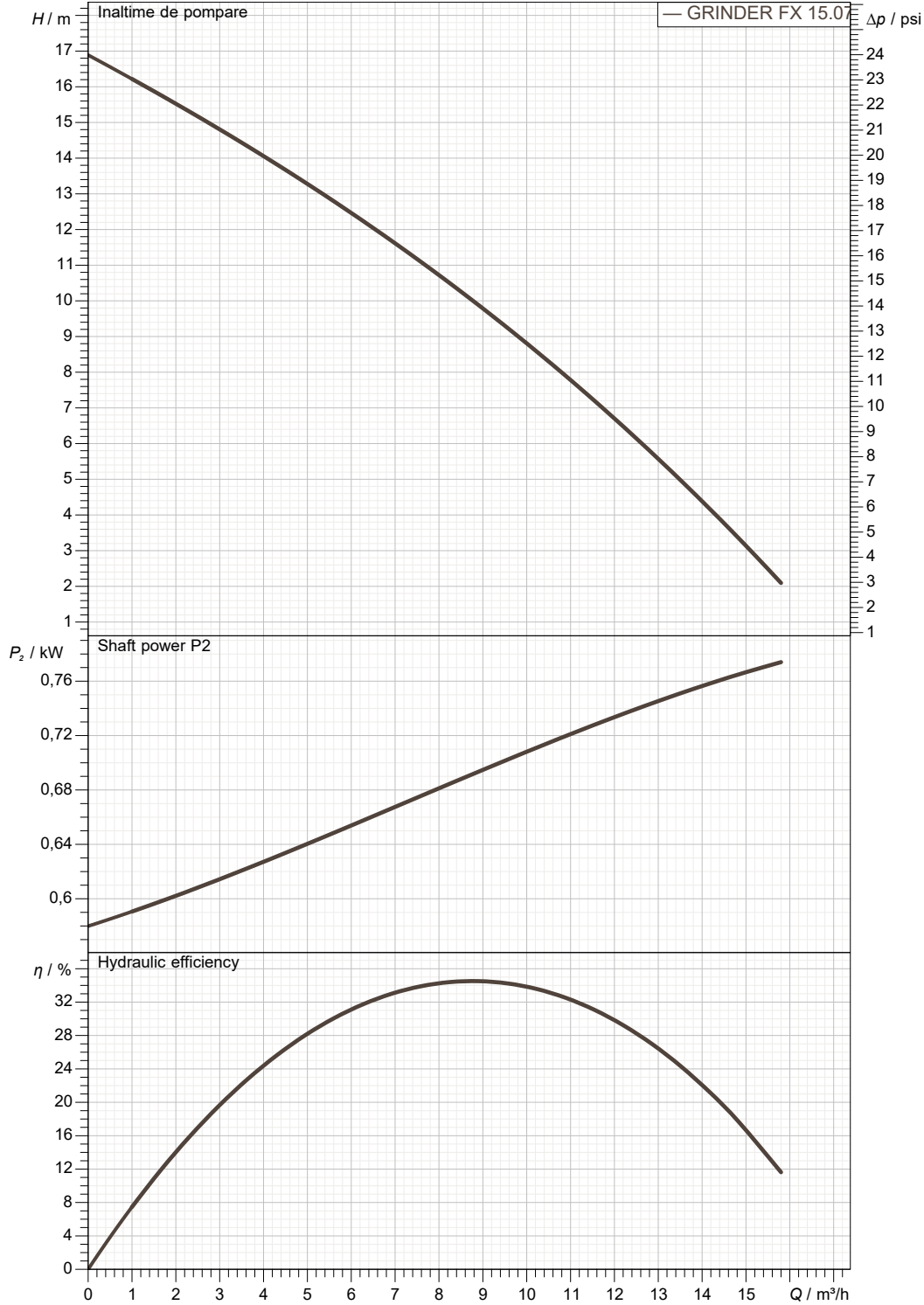
Destinatar

Expeditor

Firma
Referinta
Adresa
Phone
Fax
E-mail

GRINDER FX 15.07 M-A

Curve tolerance according to ISO 9906



Date disponibile:

Partea cu aspiratia:

Partea cu refularea:
Rp 1"1/2 - DN 32 PN10/6, DN 40 PN6
--

Debit :

Înaltime de pompare :

Viteza nominala:
2.870 1/min

MAIN_PROJECT_TITLE

BUSINESS_PROCESS_ID

OWNER_

ISSUE_DATE



DESEN DIMENSIONAL

07/30/2021

Pagina 3 / 3

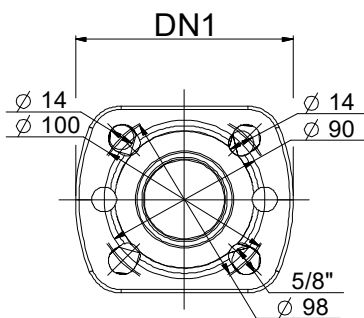
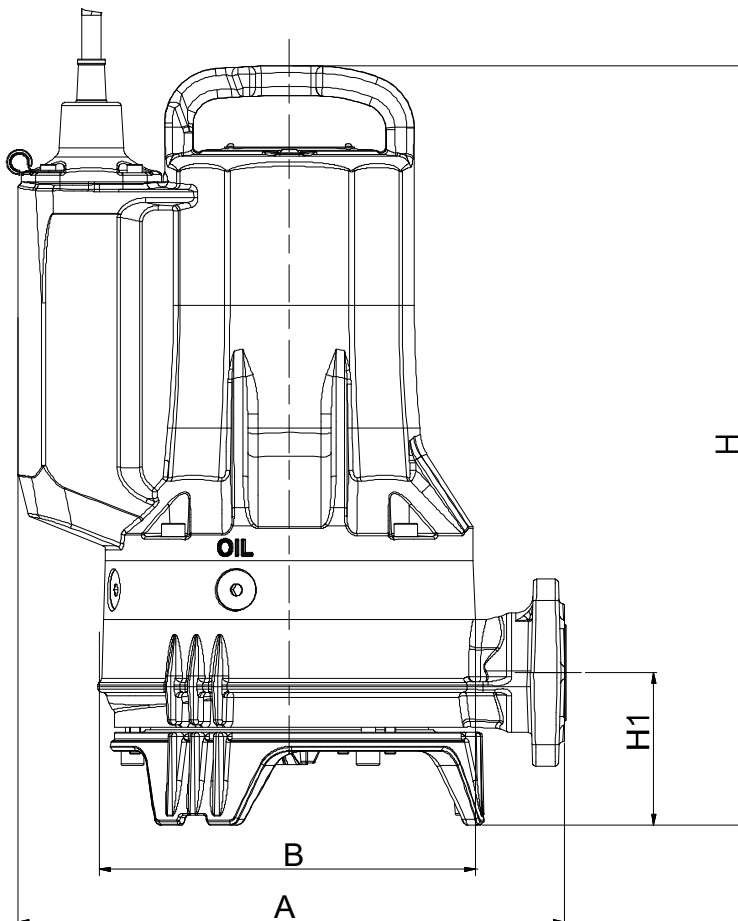
DAB PUMPS S.p.A.
Via Marco Polo, 14 - 35035 Mestrino (PD), Italy
Tel. +39 049 5125000 - Fax +39 049 5125950
www.dabpumps.com

Destinatar

Expeditor

Firma
Referinta
Adresa
Phone
Fax
E-mail

GRINDER FX 15.07 M-A



Dimensiuni in mm

1	A	306
2	B	215
3	DN1	32, 40
4	GAS	Rp 1"1/2
5	H	404
6	H1	87
7		
8		
9		
10		
11		
12		

Racorduri pompa:

Aspiratie

Refulare
Rp 1"1/2 - DN 32 PN10/6, DN 40 PN6
--

MAIN_PROJECT_TITLE

BUSINESS_PROCESS_ID

OWNER

ISSUE_DATE