

Receiver

From

Society
Reference
Address
Phone
Fax
E-mail

Item n° :

60150981

Model :

EVOPLUS B 120/340.65 M

Pump data

Pressure rating : 1600 kPa
Min. fluid temperature : -10 °C
Max. fluid temperature : 110 °C
EEI : ≤ 0,20

Minimum suction head :

Temperature °C 90 100
Minimum suction head : m 20 25

Requested data

Flow :
Head :
Fluid (%) :
Fluid Temperature : 20 °C
Density : 998.3 kg/m³
Kinematic viscosity : 1.005 mm²/s
Vapor pressure : 2.34 kPa

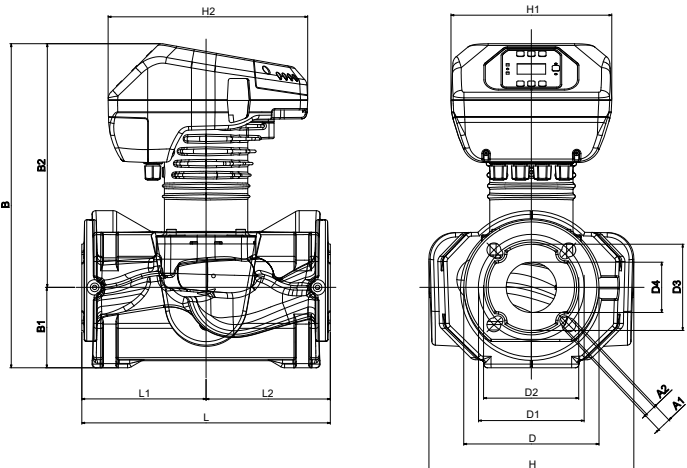
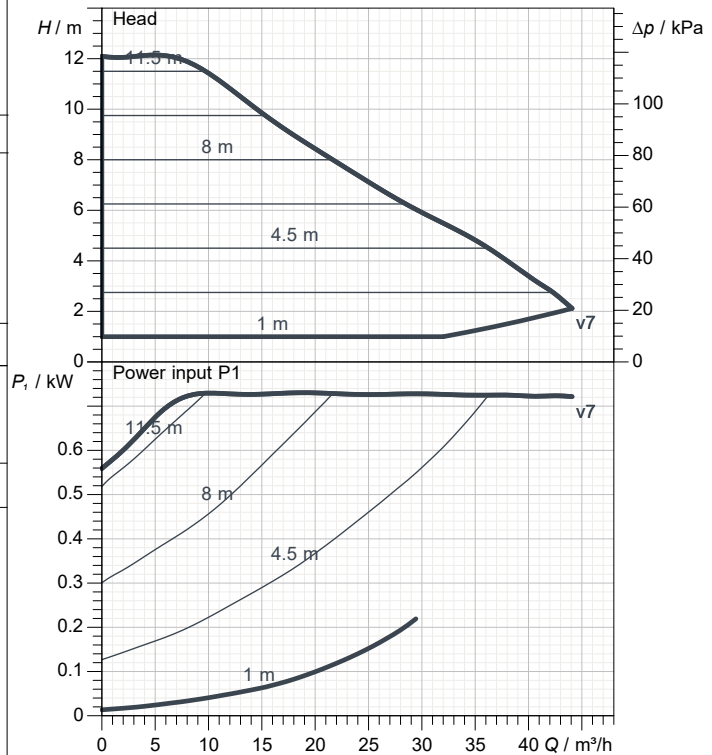
Hydraulic data (duty point)

Flow :
Head :

Materials

Pump body Cast iron 250 UNI ISO 185 - CTF
Impeller Technopolymer
Motor shaft Stainless steel
Seal ring EPDM
Motor casing Die cast aluminium
Closing flange Stainless steel
Thrust ring support Stainless steel

Curve tolerance according to ISO 9906



Motor data

Motor brand : DAB
Power input P1 : 0.73 kW
Rated voltage : 1~ 220-240 V 50 Hz
Nominal current : 3.45 A
Degree of protection : IP 44

Dimensions in mm

A1	19	D1	145	H2	273		
A2	14	D2	130	L	340		
B	443	D3	118	L1	170		
B1	110	D4	69	L2	170		
B2	333	H	280				
D	185	H1	220				

Weight : 24.6 kg

Pump connection

Suction side : DN 65 / PN6, PN10, PN16
Discharge side : DN 65 / PN6, PN10, PN16



PERFORMANCE CURVES

2021-10-2€

Page 2 / 3

DAB PUMPS S.p.A.
Via Marco Polo, 14 - 35035 Mestrino (PD), Italy
Tel. +39 049 5125000 - Fax +39 049 5125950
www.dabpumps.com

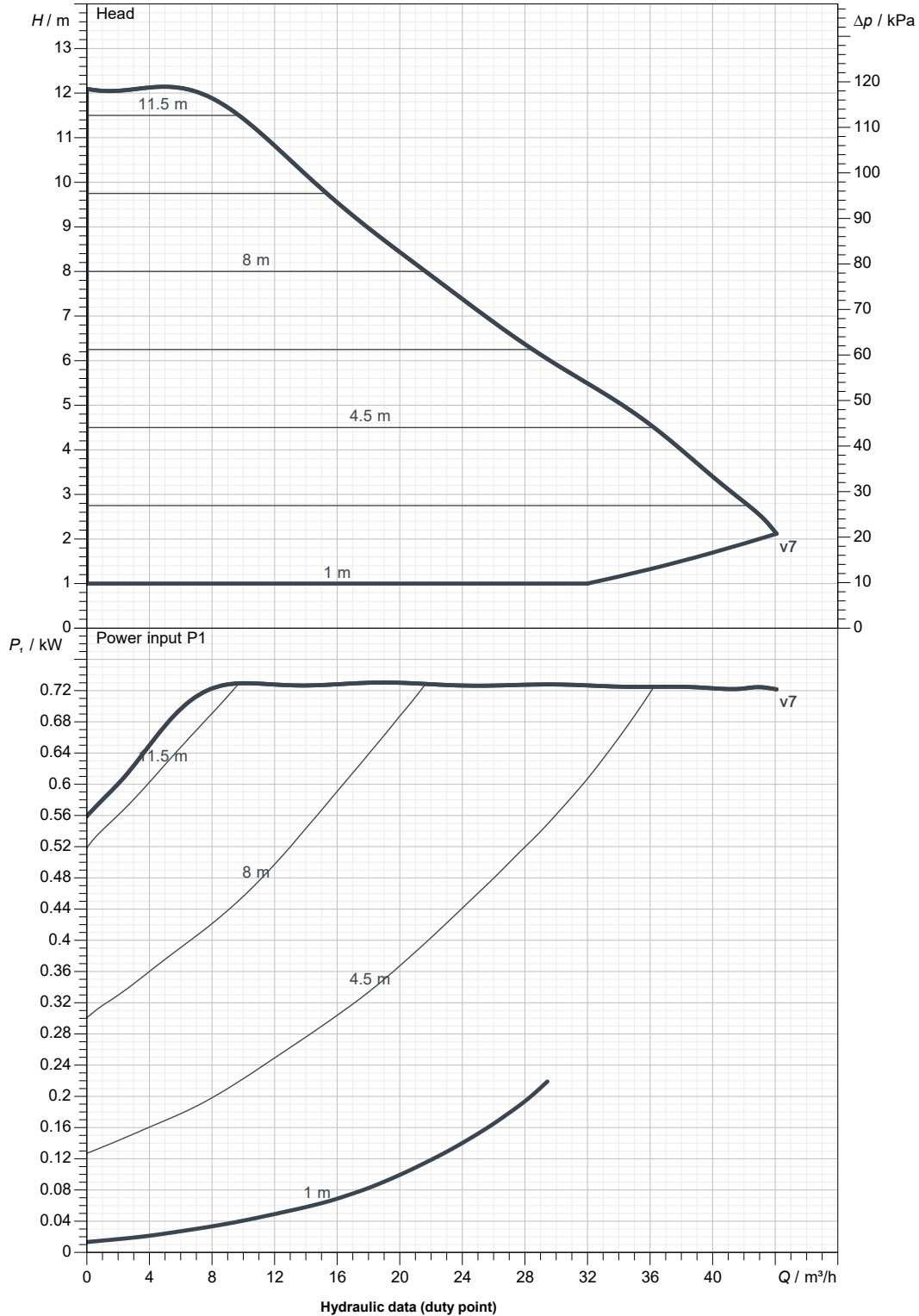
Receiver

From

Society
Reference
Address
Phone
Fax
E-mail

EVOPLUS B 120/340.65 M

Curve tolerance according to ISO 9906



Suction side :
DN 65
PN6, PN10, PN16

Discharge side :
DN 65
PN6, PN10, PN16

Flow :

Head :

Rated speed :
2900 1/min

MAIN_PROJECT_TITLE

BUSINESS_PROCESS_ID

OWNER_

ISSUE_DATE



DIMENSIONAL DRAWING

DAB PUMPS S.p.A.
Via Marco Polo, 14 - 35035 Mestrino (PD), Italy
Tel. +39 049 5125000 - Fax +39 049 5125950
www.dabpumps.com

2021-10-2€

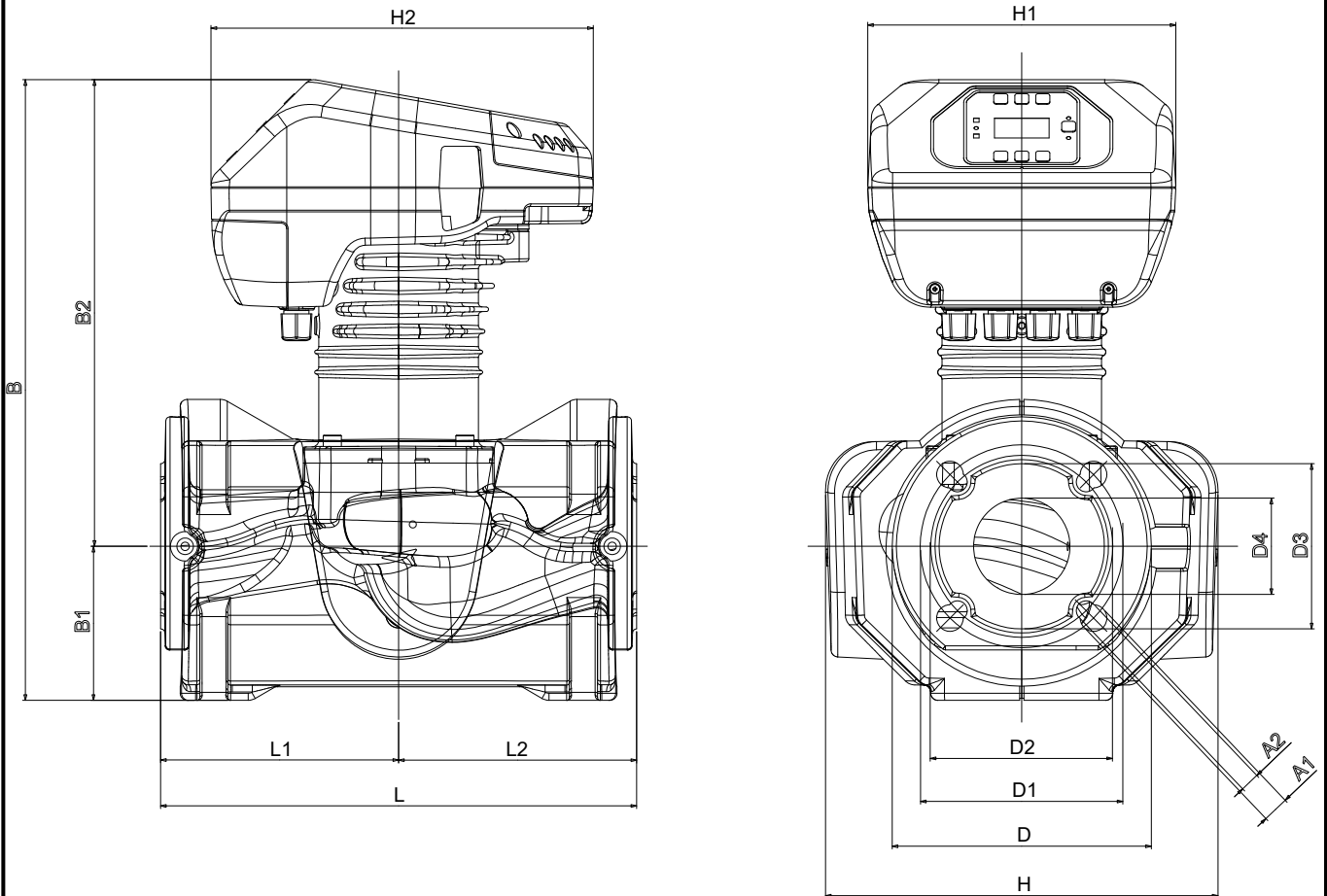
Page 3 / 3

Receiver

From

Society
Reference
Address
Phone
Fax
E-mail

EVOPLUS B 120/340.65 M



Dimensions in mm					Pump connection	
1	A1	19	H2	273	Suction DN 65 PN6, PN10, PN16	
2	A2	14	L	340		
3	B	443	L1	170		
4	B1	110	L2	170		
5	B2	333			Discharge DN 65 PN6, PN10, PN16	
6	D	185				
7	D1	145				
8	D2	130				
9	D3	118				
10	D4	69				
11	H	280				
12	H1	220				

MAIN_PROJECT_TITLE	BUSINESS_PROCESS_ID	OWNER	ISSUE_DATE
--------------------	---------------------	-------	------------