

Destinatar

Firma
Referinta
Adresa
Phone
Fax
E-mail

Expeditor

Cod articol :

60150986

Articol:

EVOPLUS B 150/340.65 M

Date pompa

Presiune nominala: 1600 kPa
Temperatura min. fluid -10 °C
Temperatura max. fluid 110 °C
EEI : ≤ 0,20

Presiune minima la nivelul apei:

Temperatura : °C 90 100
Presiune minima la nivelul apei: m 20 25

Date de functionare cerute

Debit :
Inaltime de pompare :
Fluid pompat (%) :
Temperatura fluid: 20 °C
Densitate 998.3 kg/m³
Vasozitate cinematica: 1.005 mm²/s
Presiune de vapori: 2.34 kPa

Date disponibile:

Debit :
Inaltime de pompare :

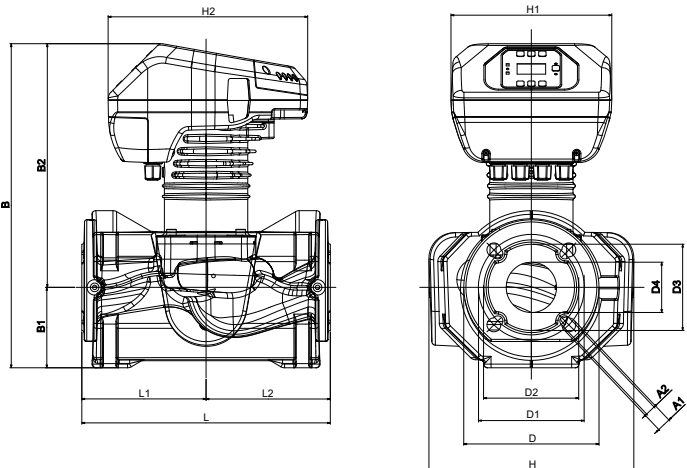
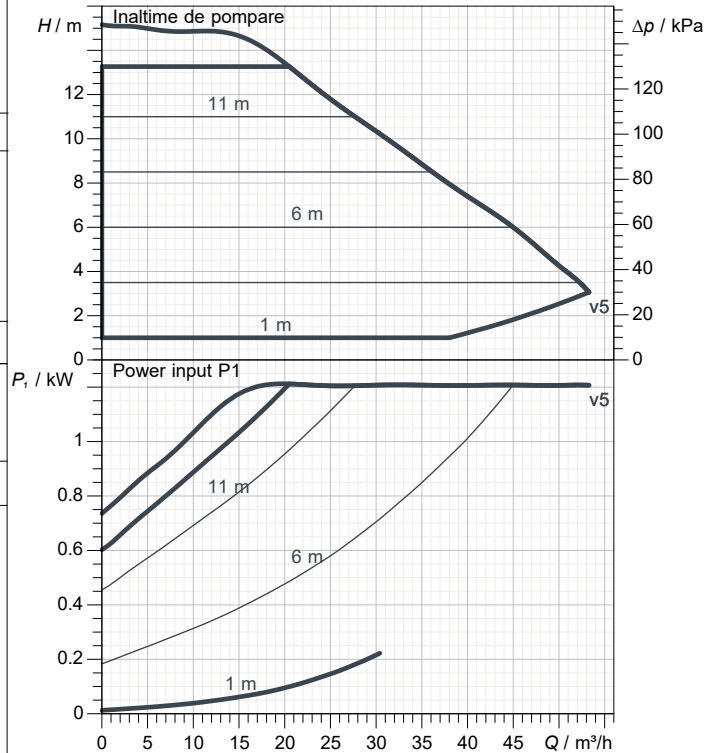
Materiale

Corp pompa Cast iron 250 UNI ISO 185 - CTF
Rotor Tecnopolimer
Arbore motor Otel inox
Inel de etansare EPDM
Carcasa motorului Aluminu turnat la cald
Flansa de inchidere Otel inox
Suport inel de echilibrare Otel inox

Date motor

Marca : DAB
Putere absorbita P1 1.21 kW
Tensiune nominala : 1~ 220-240 V 50 Hz
Curent nominal : 5.5 A
Grad de protectie: IP 44

Curve tolerance according to ISO 9906



Dimensiuni de gabarit mm

A1	19	D1	145	H2	273		
A2	14	D2	130	L	340		
B	443	D3	118	L1	170		
B1	110	D4	69	L2	170		
B2	333	H	280				
D	185	H1	220				

Masa 27 kg

Racorduri pompa:

Partea cu aspiratia: DN 65 / PN6, PN10, PN16
Partea cu refularea: DN 65 / PN6, PN10, PN16



CURBELOR CARACTERISTICE

06/17/2021

Pagina 2 / 3

DAB PUMPS S.p.A.
Via Marco Polo, 14 - 35035 Mestrino (PD), Italy
Tel. +39 049 5125000 - Fax +39 049 5125950
www.dabpumps.com

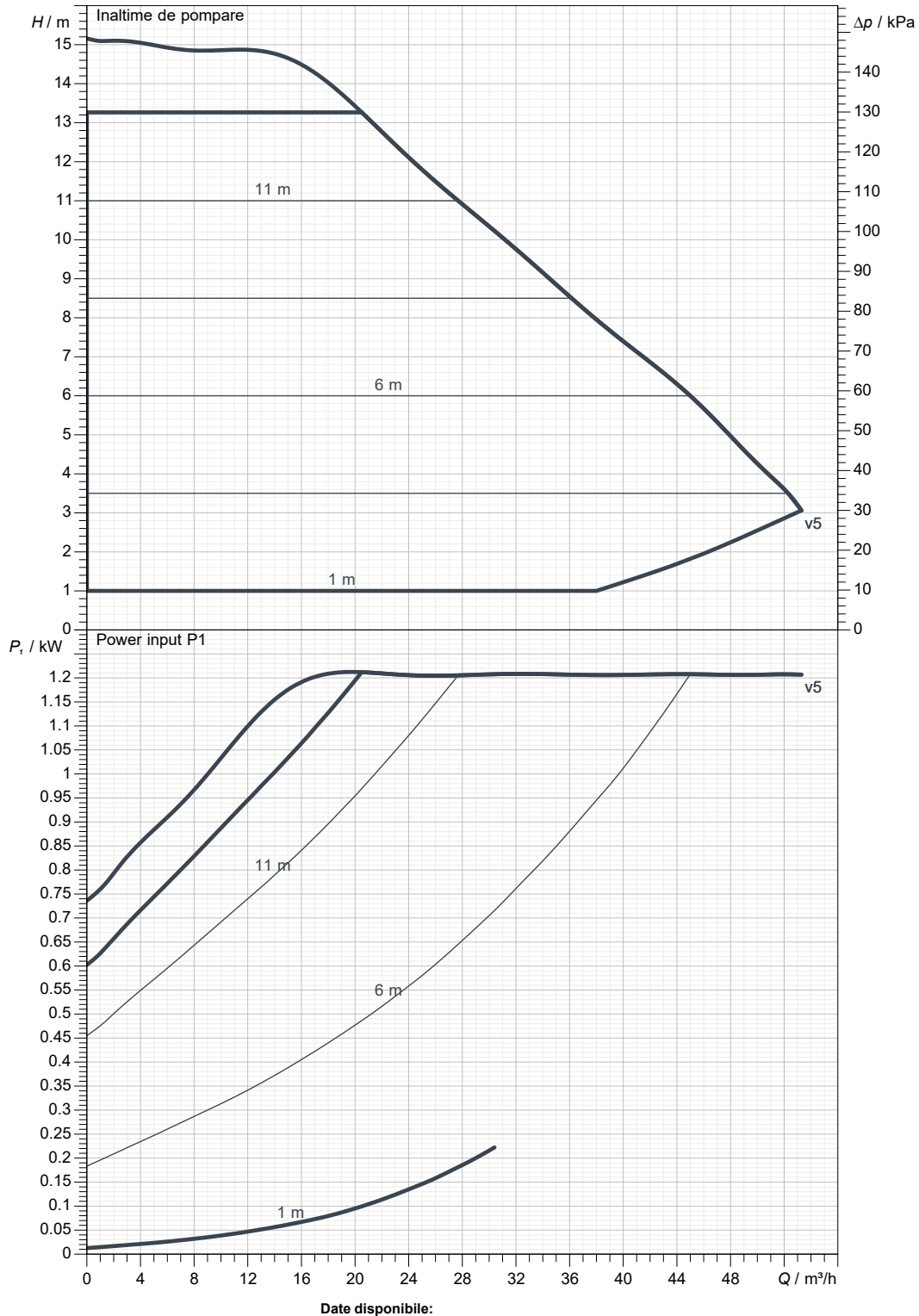
Destinatar

Expeditor

Firma
Referinta
Adresa
Phone
Fax
E-mail

EVOPLUS B 150/340.65 M

Curve tolerance according to ISO 9906



Partea cu aspiratia:
DN 65
PN6, PN10, PN16

Partea cu refularea:
DN 65
PN6, PN10, PN16

Debit :

Înaltime de pompare :

Viteza nominala:
2900 1/min

MAIN_PROJECT_TITLE

BUSINESS_PROCESS_IC

OWNER_

ISSUE_DATE



DESEN DIMENSIONAL

06/17/2021

Pagina 3 / 3

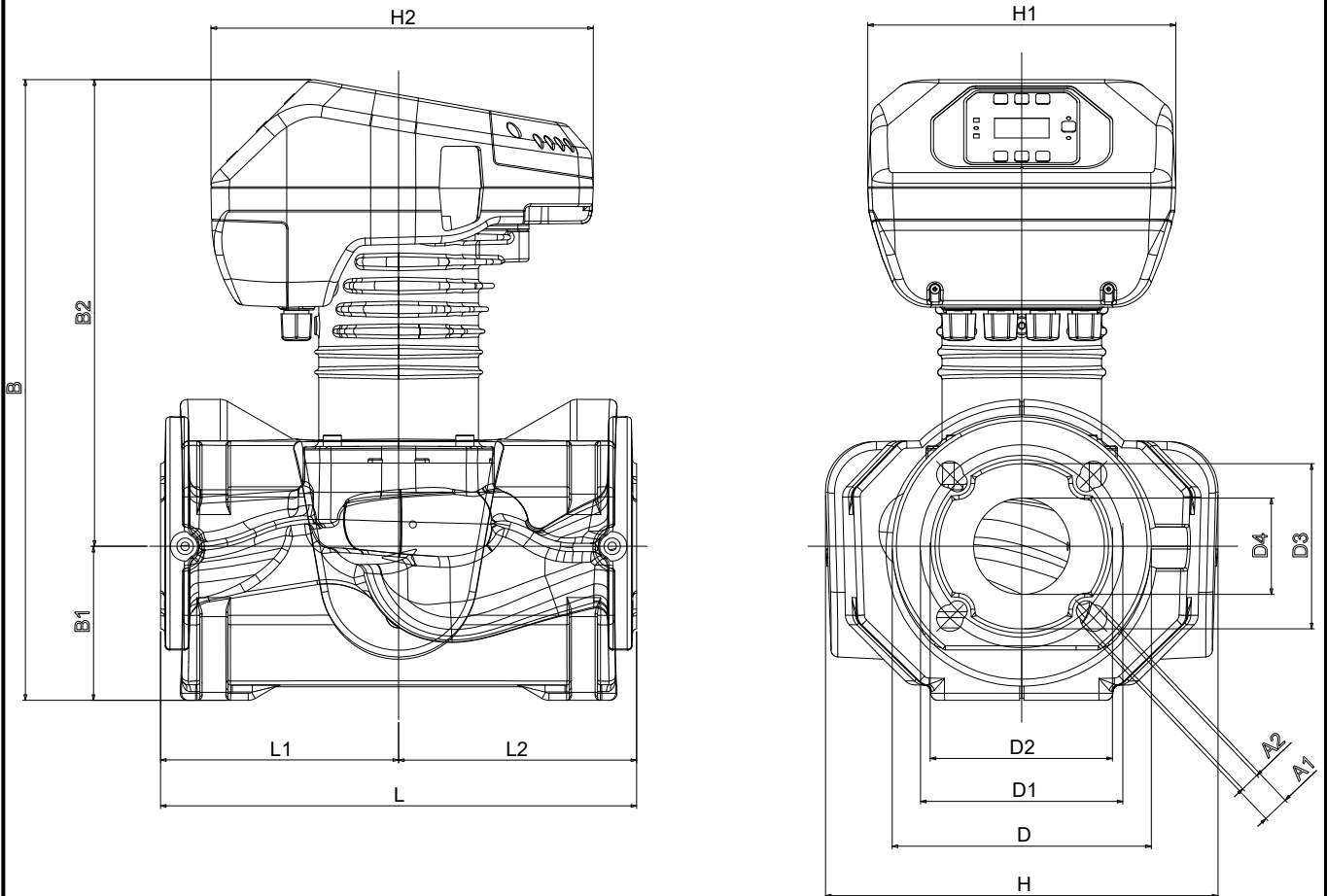
DAB PUMPS S.p.A.
Via Marco Polo, 14 - 35035 Mestrino (PD), Italy
Tel. +39 049 5125000 - Fax +39 049 5125950
www.dabpumps.com

Destinatar

Expeditor

Firma
Referinta
Adresa
Phone
Fax
E-mail

EVOPLUS B 150/340.65 M



Dimensiuni in mm

Racorduri pompa:

1	A1	19	H2	273		
2	A2	14	L	340		Aspiratie
3	B	443	L1	170		DN 65
4	B1	110	L2	170		PN6, PN10, PN16
5	B2	333				
6	D	185				Refulare
7	D1	145				DN 65
8	D2	130				PN6, PN10, PN16
9	D3	118				
10	D4	69				
11	H	280				
12	H1	220				

MAIN_PROJECT_TITLE

BUSINESS_PROCESS_ID

OWNER

ISSUE_DATE