

Destinatar

 Firma
 Referinta
 Adresa
 Phone
 Fax
 E-mail

Expeditor
Cod articol :

60150969

Articol:

EVOPLUS B 180/250.40 M

Date pompa

 Presiune nominala: 1600 kPa
 Temperatura min. fluid -10 °C
 Temperatura max. fluid 110 °C
 EEI : ≤ 0,20

Presiune minima la nivelul apei:

Temperatura : °C 90 100

Presiune minima la nivelul apei: m 20 25

Date de functionare cerute

 Debit :
 Inaltime de pompare :
 Fluid pompat (%) :
 Temperatura fluid: 20 °C
 Densitate 998.3 kg/m³
 Vascozitate cinematica: 1.005 mm²/s
 Presiune de vapori: 2.34 kPa

Date disponibile:

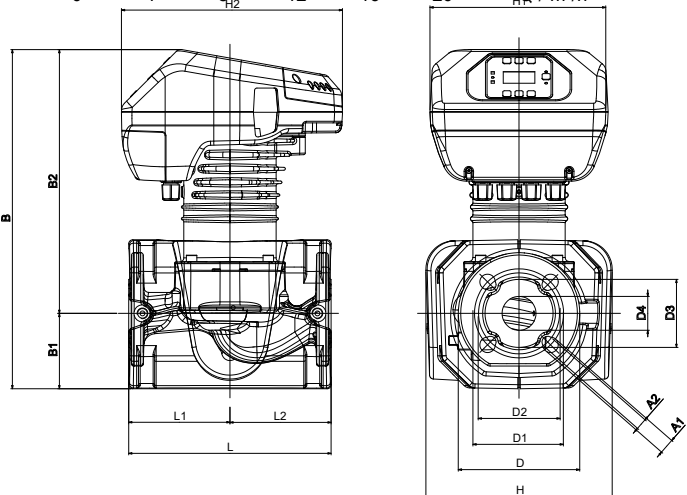
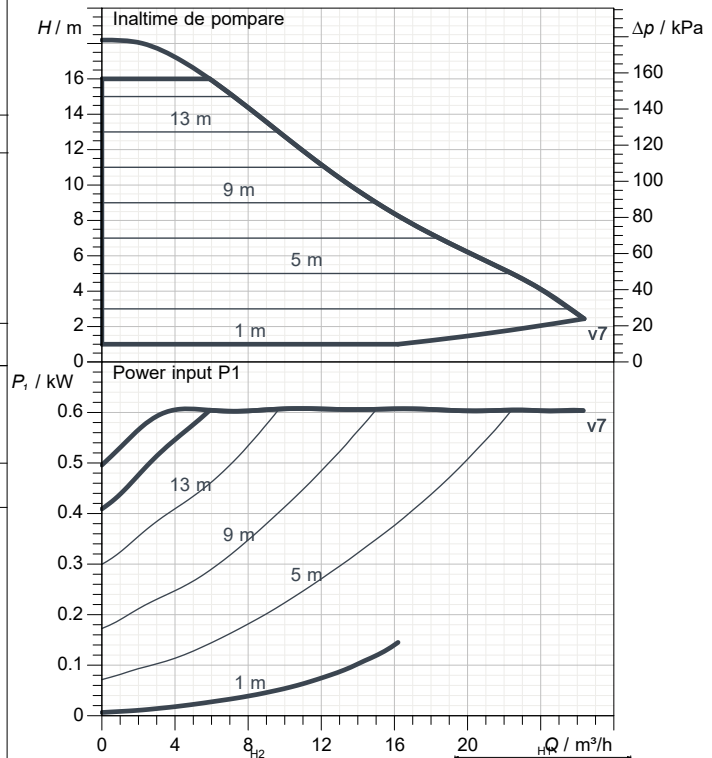
 Debit :
 Inaltime de pompare :

Materiale

 Corp pompa Cast iron 250 UNI ISO 185 - CTF
 Rotor Tecnopolimer
 Arbore motor Otel inox
 Inel de etansare EPDM
 Carcasa motorului Aluminu turnat la cald
 Flansa de inchidere Otel inox
 Suport inel de echilibrare Otel inox

Date motor

 Marca : DAB
 Putere absorbita P1 0.61 kW
 Tensiune nominala : 1~ 220-240 V 50 Hz
 Curent nominal : 2.9 A
 Grad de protectie: IP 44

Curve tolerance according to ISO 9906

Dimensiuni de gabarit mm

A1	19	D1	110	H2	273		
A2	14	D2	100	L	250		
B	419	D3	84	L1	125		
B1	93	D4	42	L2	125		
B2	326	H	230				
D	150	H1	220				

Masa 20 kg

Racorduri pompa:

 Partea cu aspiratia: DN 40 / PN6, PN10, PN16
 Partea cu refularea: DN 40 / PN6, PN10, PN16



CURBELOR CARACTERISTICE

10/28/2021

Pagina 2 / 3

DAB PUMPS S.p.A.
Via Marco Polo, 14 - 35035 Mestrino (PD), Italy
Tel. +39 049 5125000 - Fax +39 049 5125950
www.dabpumps.com

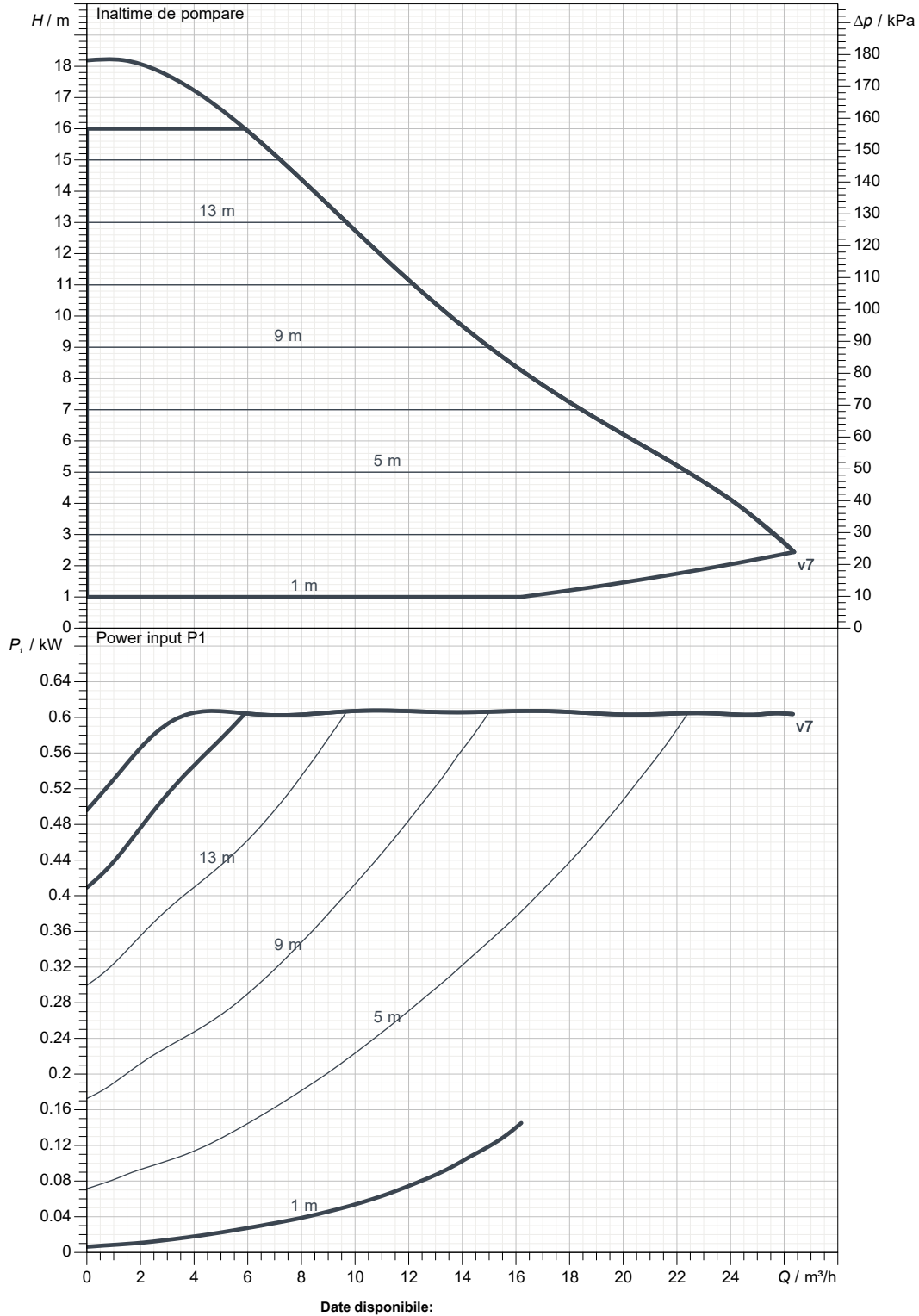
Destinatar

Expeditor

Firma
Referinta
Adresa
Phone
Fax
E-mail

EVOPLUS B 180/250.40 M

Curve tolerance according to ISO 9906



Partea cu aspiratia:
DN 40
PN6, PN10, PN16

Partea cu refularea:
DN 40
PN6, PN10, PN16

Debit :

Înaltime de pompare :

Viteza nominala:
2900 1/min

MAIN_PROJECT_TITLE

BUSINESS_PROCESS_IC

OWNER_

ISSUE_DATE



DESEN DIMENSIONAL

10/28/2021

Pagina 3 / 3

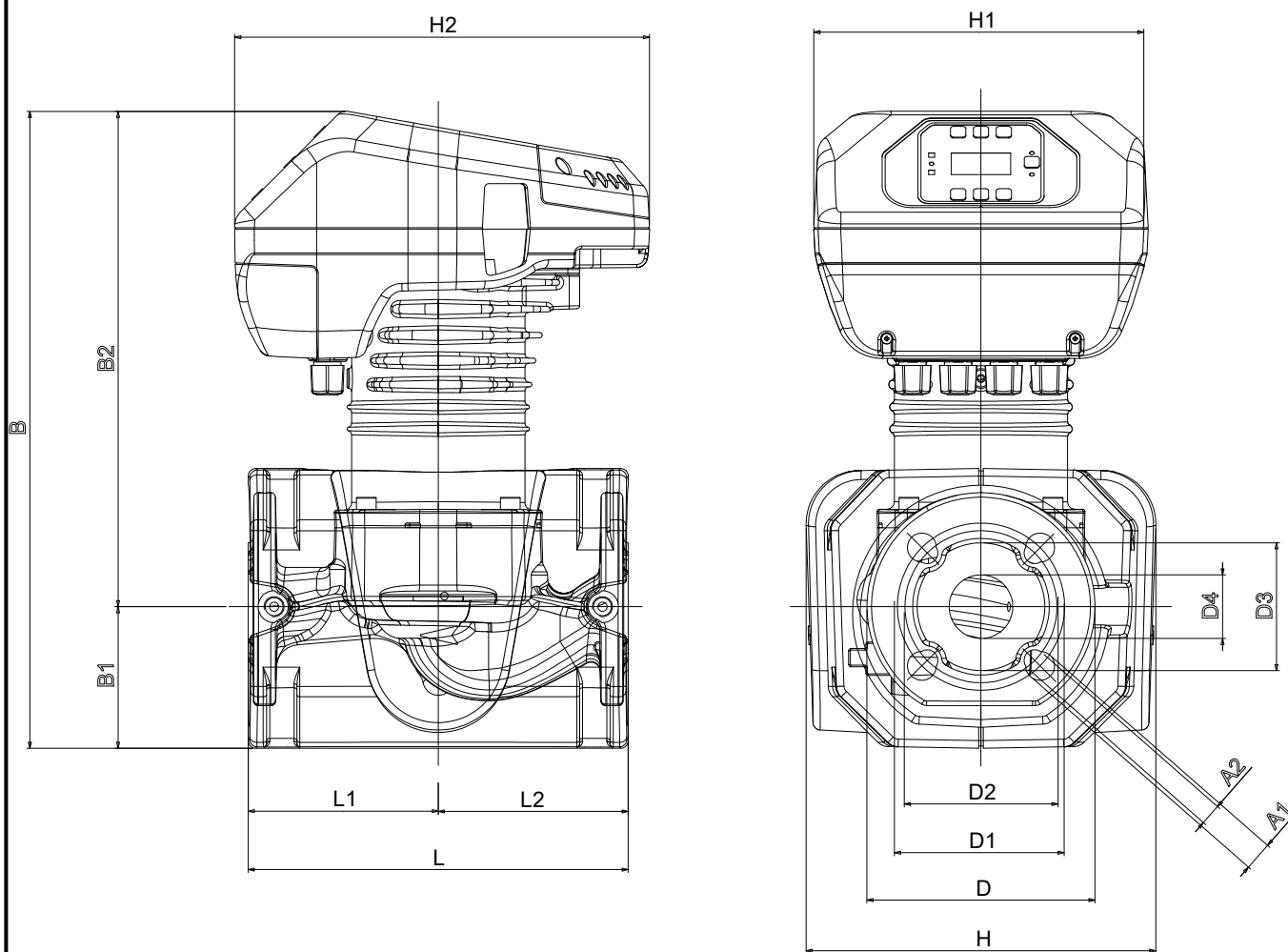
DAB PUMPS S.p.A.
Via Marco Polo, 14 - 35035 Mestrino (PD), Italy
Tel. +39 049 5125000 - Fax +39 049 5125950
www.dabpumps.com

Destinatar

Expeditor

Firma
Referinta
Adresa
Phone
Fax
E-mail

EVOPLUS B 180/250.40 M



Dimensiuni in mm

Racorduri pompa:

1	A1	19
2	A2	14
3	B	419
4	B1	93
5	B2	326
6	D	150
7	D1	110
8	D2	100
9	D3	84
10	D4	42
11	H	230
12	H1	220

H2	273
L	250
L1	125
L2	125

Aspiratie
DN 40
PN6, PN10, PN16

Refulare
DN 40
PN6, PN10, PN16

MAIN_PROJECT_TITLE

BUSINESS_PROCESS_ID

OWNER

ISSUE_DATE