

Receiver

From

Society
Reference
Address
Phone
Fax
E-mail

Item n° :

60150978

Model :

EVOPLUS B 60/340.65 M

Pump data

Pressure rating : 232,05 psi
Min. fluid temperature : -10 °C
Max. fluid temperature : 110 °C
EEI : ≤ 0,20

Minimum suction head :

Temperature °C 90 100
Minimum suction head : m 20 25

Requested data

Flow :
Head :
Fluid (%) :
Fluid Temperature : 20 °C
Density : 998,3 kg/m³
Kinematic viscosity : 1,005 mm²/s
Vapor pressure : 2,34 kPa

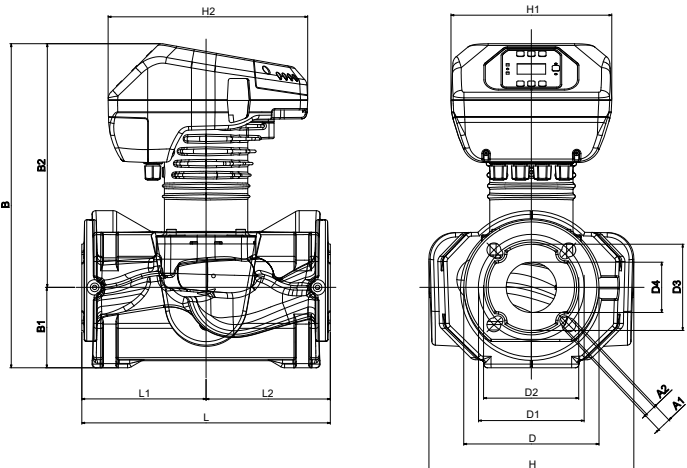
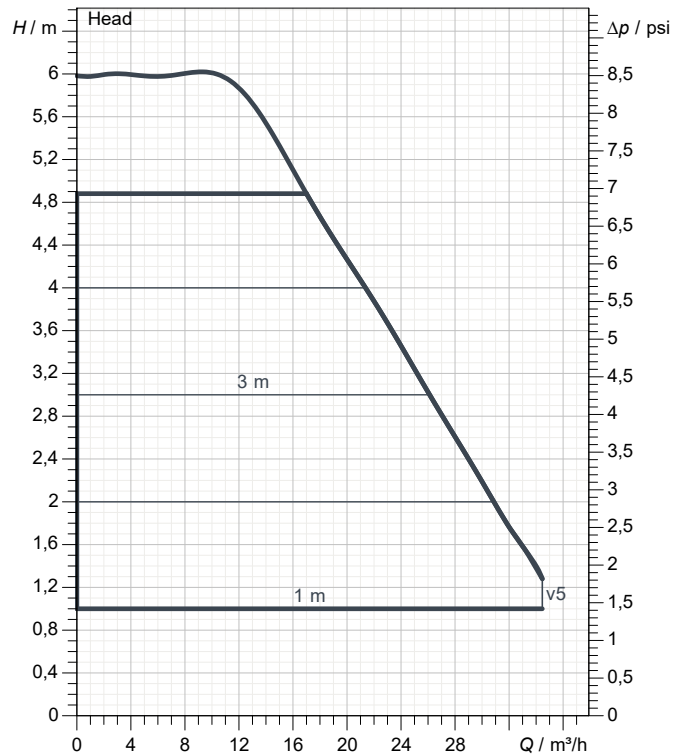
Hydraulic data (duty point)

Flow :
Head :

Materials

Pump body Cast iron 250 UNI ISO 185 - CTF
Impeller Technopolymer
Motor shaft Stainless steel
Seal ring EPDM
Motor casing Die cast aluminium
Closing flange Stainless steel
Thrust ring support Stainless steel

Curve tolerance according to ISO 9906



Motor data

Motor brand : DAB
Power input P1 : 0,3551 kW
Rated voltage : 1~ 220-240 V 50 Hz
Nominal current : 1,8 A
Degree of protection : IP 44

Dimensions in mm

A1	19	D1	145	H2	273		
A2	14	D2	130	L	340		
B	443	D3	118	L1	170		
B1	110	D4	69	L2	170		
B2	333	H	280				
D	185	H1	220				

Weight : 23,8 kg

Pump connection

Suction side : DN 65 / PN6, PN10, PN16
Discharge side : DN 65 / PN6, PN10, PN16



PERFORMANCE CURVES

2020-06-11

Page 2 / 3

DAB PUMPS S.p.A.
Via Marco Polo, 14 - 35035 Mestrino (PD), Italy
Tel. +39 049 5125000 - Fax +39 049 5125950
www.dabpumps.com

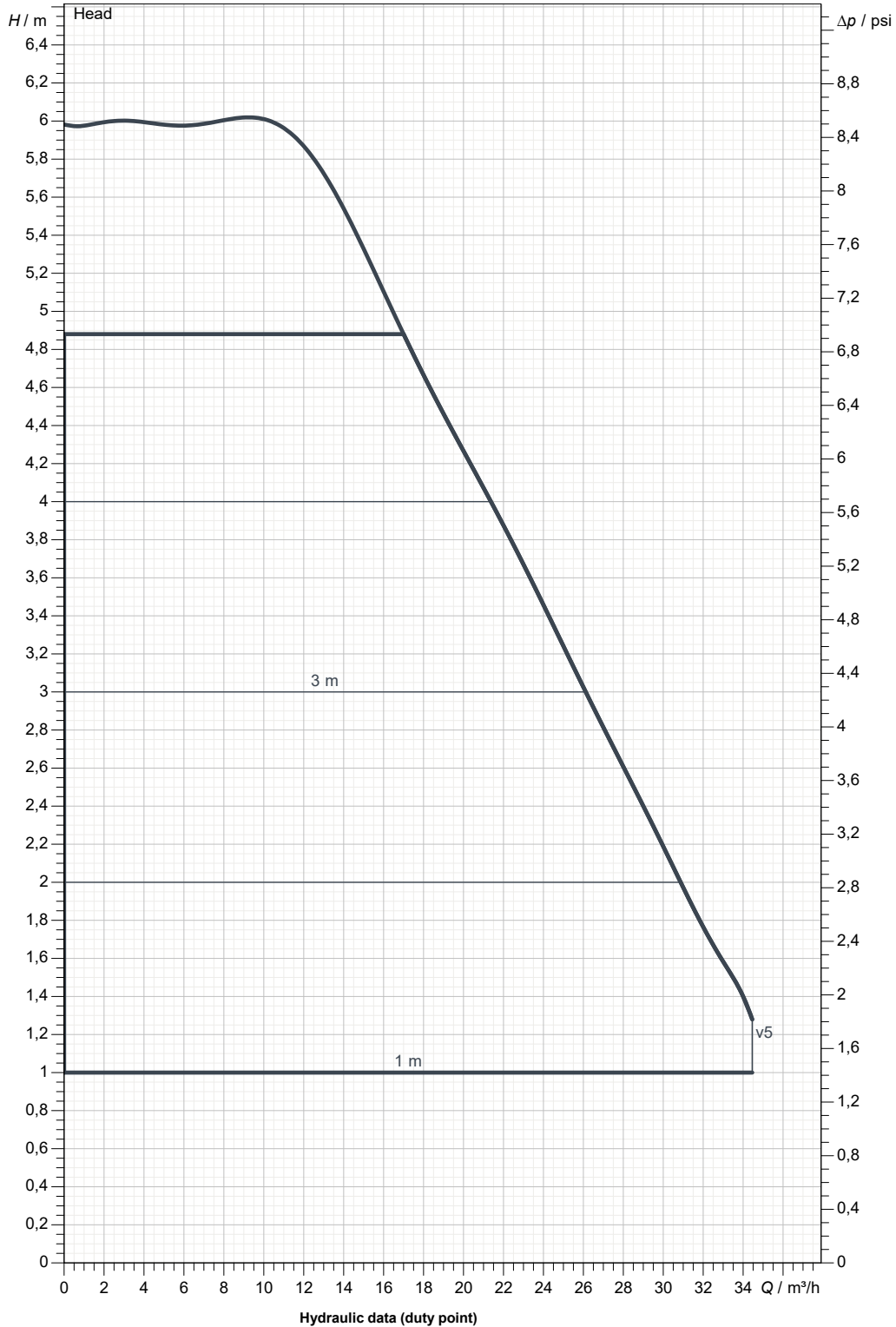
Receiver

From

Society
Reference
Address
Phone
Fax
E-mail

EVOPLUS B 60/340.65 M

Curve tolerance according to ISO 9906



Suction side :
DN 65
PN6, PN10, PN16

Discharge side :
DN 65
PN6, PN10, PN16

Flow :

Head :

Rated speed :
2.900 1/min

MAIN_PROJECT_TITLE

BUSINESS_PROCESS_IC

OWNER_

ISSUE_DATE



DIMENSIONAL DRAWING

2020-06-11

Page 3 / 3

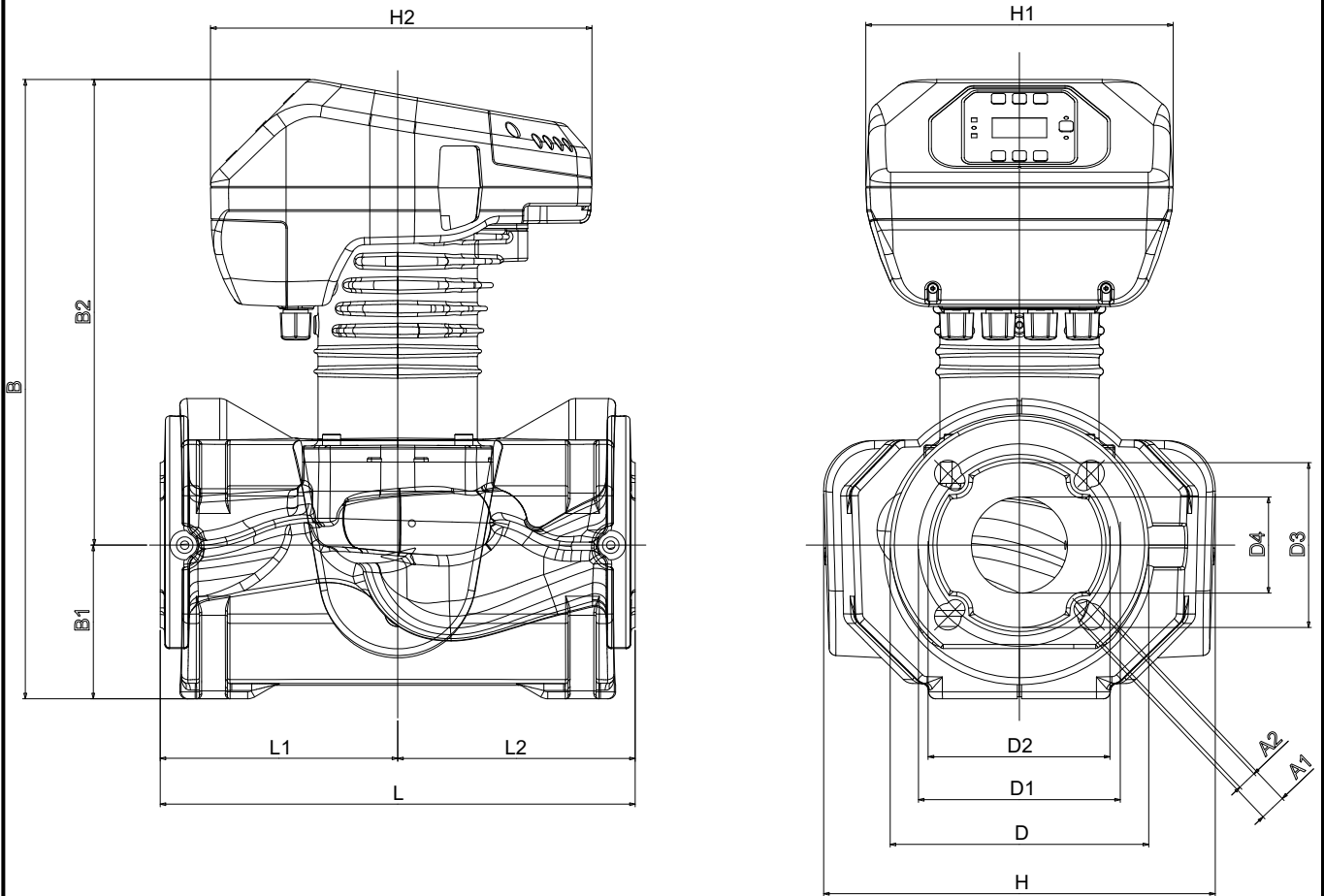
DAB PUMPS S.p.A.
Via Marco Polo, 14 - 35035 Mestrino (PD), Italy
Tel. +39 049 5125000 - Fax +39 049 5125950
www.dabpumps.com

Receiver

From

Society
Reference
Address
Phone
Fax
E-mail

EVOPLUS B 60/340.65 M



Dimensions in mm

Pump connection

1	A1	19	H2	273			
2	A2	14	L	340			
3	B	443	L1	170			Suction
4	B1	110	L2	170			DN 65
5	B2	333					PN6, PN10, PN16
6	D	185					
7	D1	145					Discharge
8	D2	130					DN 65
9	D3	118					PN6, PN10, PN16
10	D4	69					
11	H	280					
12	H1	220					

MAIN_PROJECT_TITLE

BUSINESS_PROCESS_ID

OWNER

ISSUE_DATE