

Destinatar

 Firma
 Referinta
 Adresa
 Phone
 Fax
 E-mail

Expeditor
Cod articol :

60151007

Articol:

EVOPLUS D 180/250.40 M

Date pompa

 Presiune nominala: 1600 kPa
 Temperatura min. fluid -10 °C
 Temperatura max. fluid 110 °C
 EEI : ≤ 0,20

Presiune minima la nivelul apei:

Temperatura : °C 90 - 100

Presiune minima la nivelul apei: m 20 - 25

Date de functionare cerute

 Debit :
 Inaltime de pompare :
 Fluid pompat (%) :
 Temperatura fluid: 20 °C
 Densitate 998.3 kg/m³
 Viscositate cinematica: 1.005 mm²/s
 Presiune de vapori: 2.34 kPa

Date disponibile:

 Debit :
 Inaltime de pompare :

Materiale

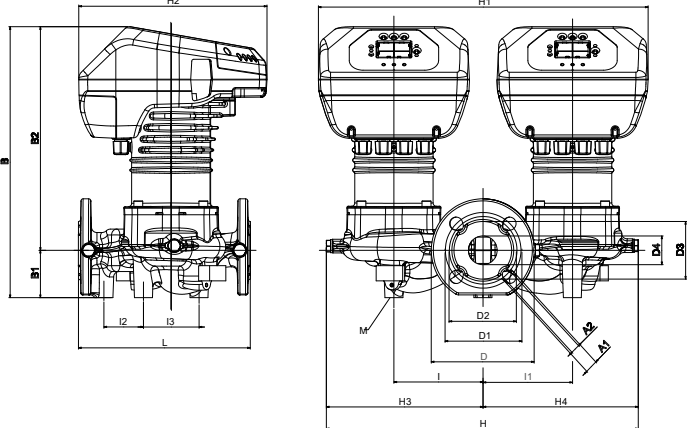
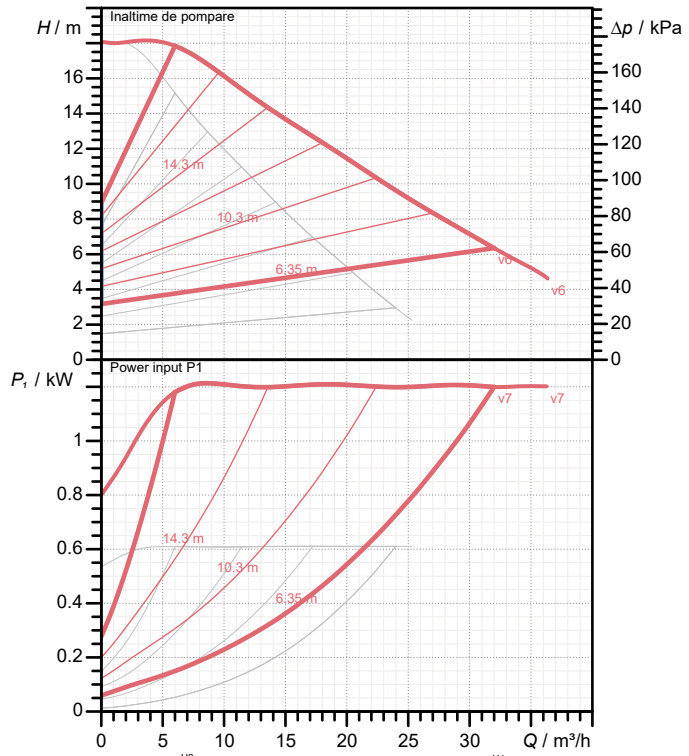
 Corp pompa Cast iron 250 UNI ISO 185 - CTF
 Rotor Tecnopolimer
 Arbore motor Otel inox
 Inel de etansare EPDM
 Carcasa motorului Aluminiu turnat la cald
 Flansa de inchidere Otel inox
 Suport inel de echilibrare Otel inox

Date motor

 Marca : DAB
 Putere absorbita P1 2 X 0.61 kW
 Tensiune nominala : 1~ 220-240 V 50 Hz
 Curent nominal : 2 X 2.9 A
 Grad de protectie: IP 44

Curve tolerance according to ISO 9906

Number of working motors : 2


Dimensiuni de gabarit mm

A1	19	D1	110	H2	274	I3	81
A2	14	D2	100	H3	228	L	250
B	395	D3	84	H4	226	M	M12
B1	69	D4	42	I	130		
B2	326	H	454	I1	130		
D	150	H1	480	I2	58		

Masa 38.8 kg

Racorduri pompa:

Partea cu aspiratia: DN 40 / PN6, PN10, PN16

Partea cu refularea: DN 40 / PN6, PN10, PN16



CURBELOR CARACTERISTICE

10/28/2021

Pagina 2 / 3

DAB PUMPS S.p.A.
Via Marco Polo, 14 - 35035 Mestrino (PD), Italy
Tel. +39 049 5125000 - Fax +39 049 5125950
www.dabpumps.com

Destinatar

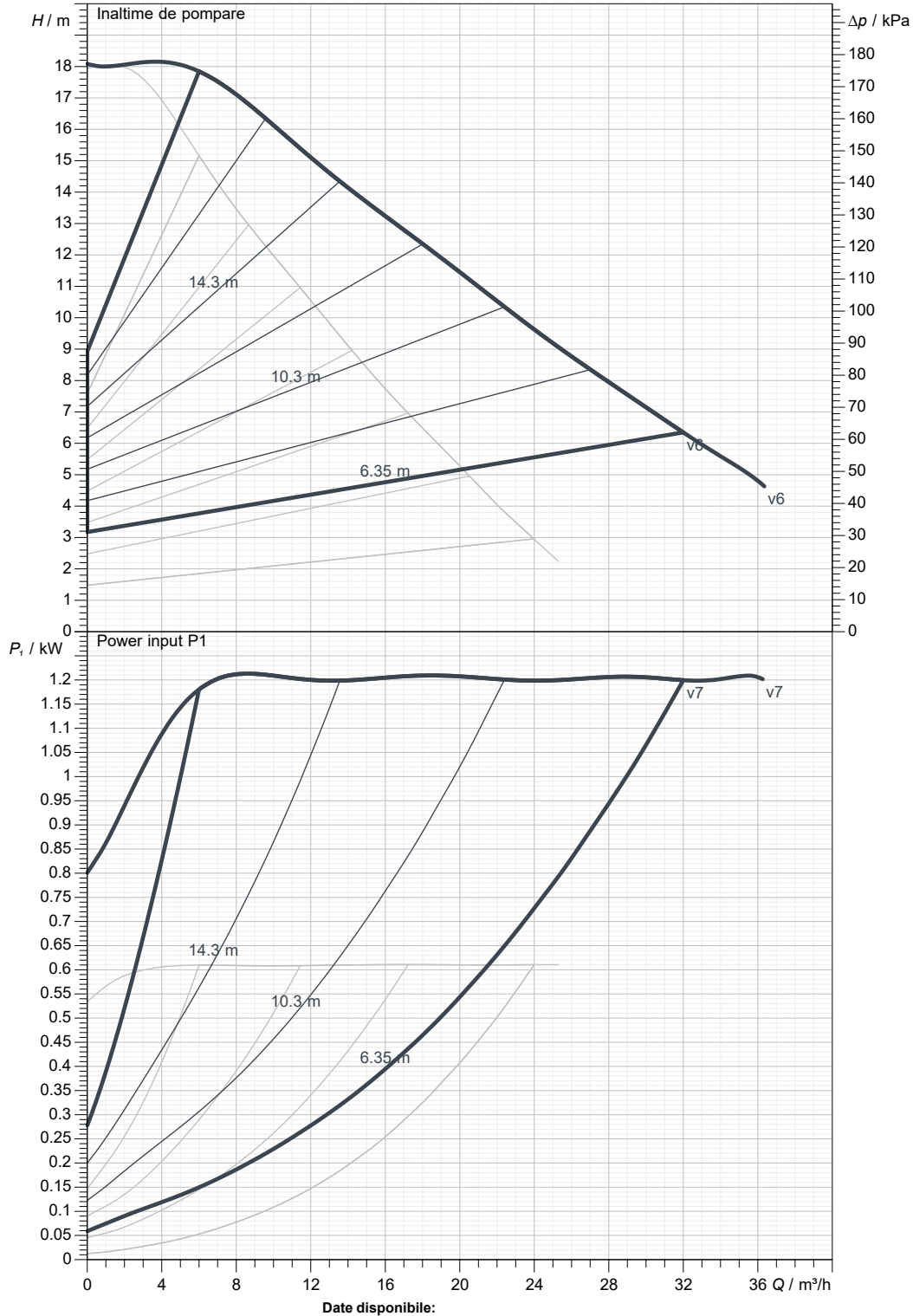
Expeditor

Firma
Referinta
Adresa
Phone
Fax
E-mail

EVOPLUS D 180/250.40 M

Number of working motors : 2

Curve tolerance according to ISO 9906



Partea cu aspiratia: DN 40 PN6, PN10, PN16	Partea cu refularea: DN 40 PN6, PN10, PN16	Debit :	Înăltime de pompare :	Viteza nominala: 2900 1/min
MAIN_PROJECT_TITLE	BUSINESS_PROCESS_IT	OWNER_	ISSUE_DATE	



DESEN DIMENSIONAL

10/28/2021

Pagina 3 / 3

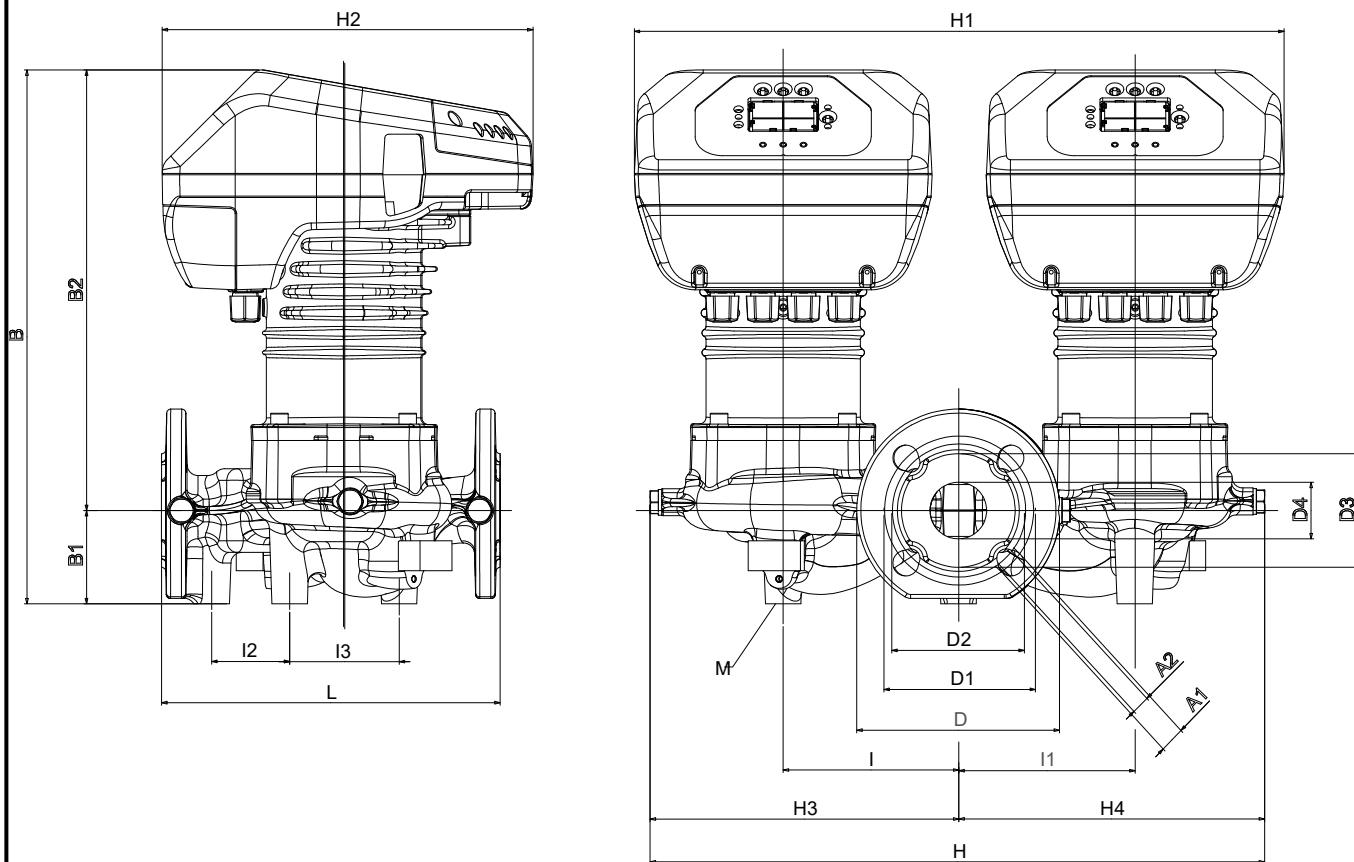
DAB PUMPS S.p.A.
Via Marco Polo, 14 - 35035 Mestrino (PD), Italy
Tel. +39 049 5125000 - Fax +39 049 5125950
www.dabpumps.com

Destinatar

Expeditor

Firma
Referinta
Adresa
Phone
Fax
E-mail

EVOPLUS D 180/250.40 M



Dimensiuni in mm

Racorduri pompa:

1	A1	19	H2	274			
2	A2	14	H3	228			Aspiratie
3	B	395	H4	226			DN 40
4	B1	69	I	130			PN6, PN10, PN16
5	B2	326	I1	130			
6	D	150	I2	58			
7	D1	110	I3	81			Refulare
8	D2	100	L	250			DN 40
9	D3	84	M	M12			PN6, PN10, PN16
10	D4	42					
11	H	454					
12	H1	480					

MAIN_PROJECT_TITLE	BUSINESS_PROCESS_ID	OWNER	ISSUE_DATE
--------------------	---------------------	-------	------------