

Destinatar

Firma
Referinta
Adresa
Phone
Fax
E-mail

Expeditor

Cod articol :

60122111

Articol:

1 KVC 45/120 M

Date pompa

MEI $\geq 0,50$

Presiune nominala: 1200 kPa

Temperatura min. fluid: 0 °C

Temperatura max. fluid: 50 °C

Temperatura max. ambianta: 40 °C

Date de functionare cerute

Debit :

Înaltime de pompare :

Fluid pompat : Apă

Temperatura fluid: 20 °C

Densitate: 998.3 kg/m³

Vascozitate cinematica: 1.005 mm²/s

Presiune de vapori: 2.34 kPa

Date disponibile:

Debit :

Înaltime de pompare :

Date motor (1 motor):

Brand: DAB

Putere nominala P2: 1.85 kW

Viteza nominala: 2800 1/min

Tensiune nominala : 1~ 230 V 50 Hz

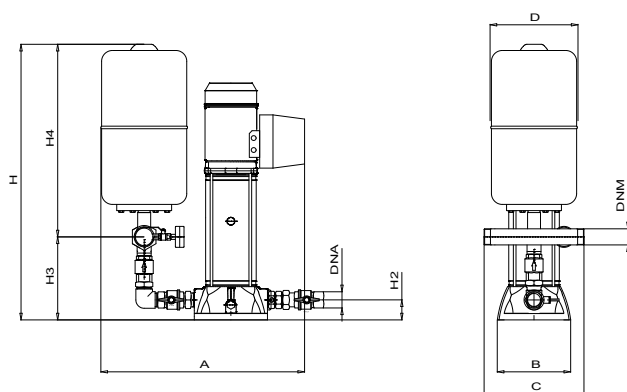
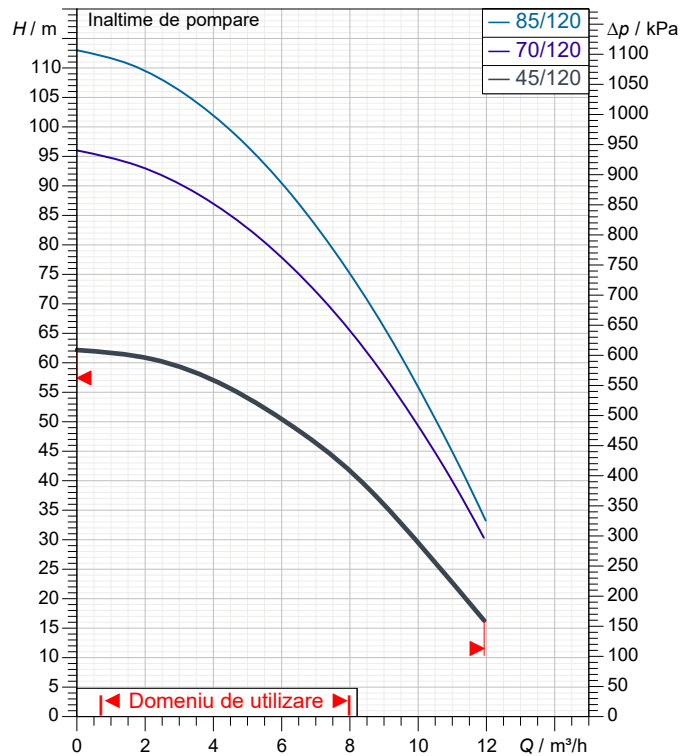
Curent nominal : 13.6 A

Grad de protecție: IP 55

Dimensiuni de gabarit mm

A	620		
B	300		
C	300		
D	260		
DNA	1" 1/4		
DNM	1" 1/2		
H	730		
H2	60		
H3	290		
H4	450		

Curve tolerance according to ISO 9906



Masa 44 kg

Racorduri pompa:

Partea cu aspiratia: 1" 1/4 / 1200 kPa

Partea cu refularea: 1" 1/2 / 1200 kPa



CURBELOR CARACTERISTICE

03/25/2022

Pagina 2 / 3

DAB PUMPS S.p.A.
Via Marco Polo, 14 - 35035 Mestrino (PD), Italy
Tel. +39 049 5125000 - Fax +39 049 5125950
www.dabpumps.com

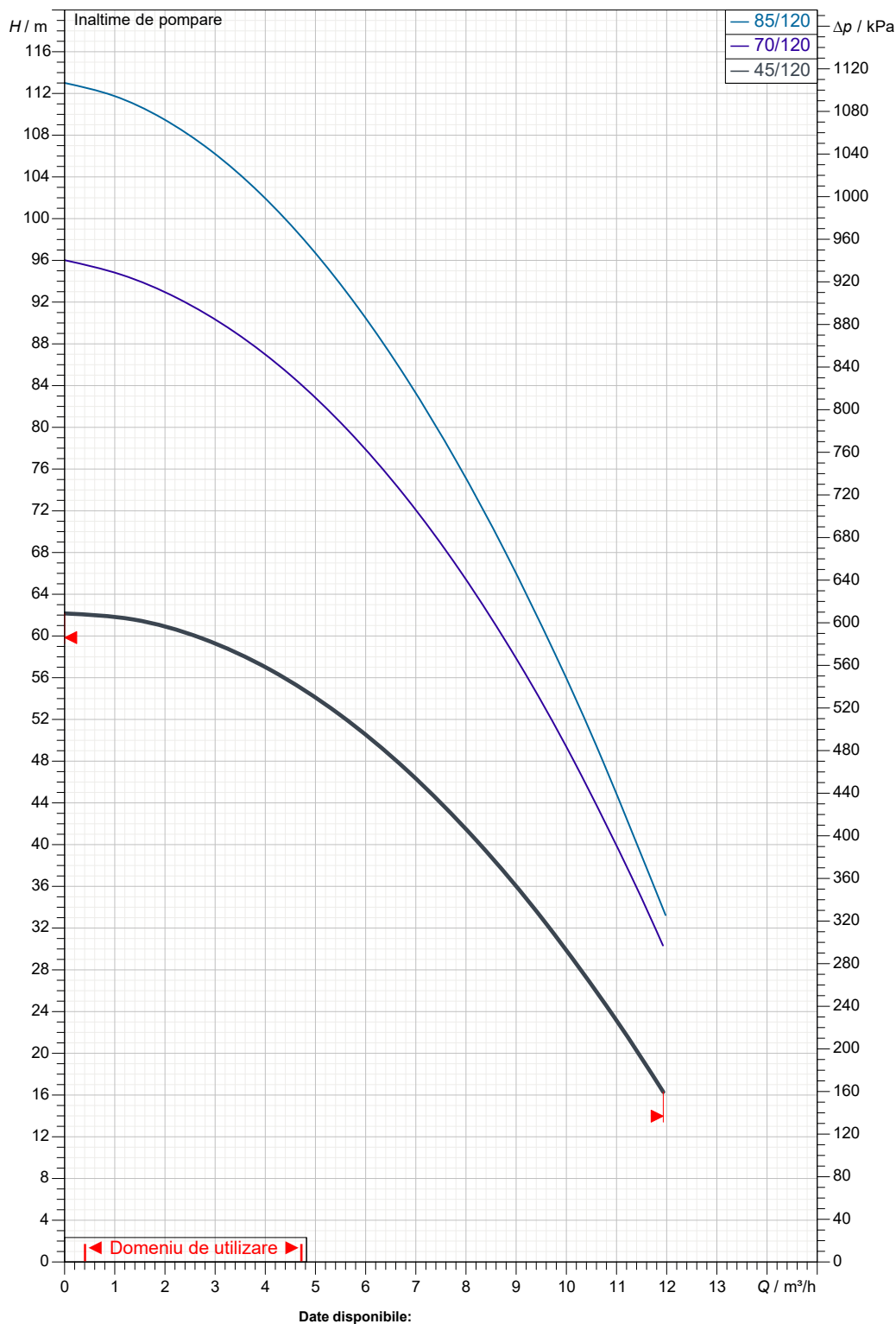
Destinatar

Expeditor

Firma
Referinta
Adresa
Phone
Fax
E-mail

1 KVC 45/120 M

Curve tolerance according to ISO 9906



Date disponibile:

Partea cu aspiratia:
1" 1/4
1200 kPa

Partea cu refularea:
1" 1/2
1200 kPa

Debit :

Înaltime de pompare :

Viteza nominala:
2800 1/min

MAIN_PROJECT_TITLE

BUSINESS_PROCESS_IC

OWNER_

ISSUE_DATE

03/25/2022



DESEN DIMENSIONAL

03/25/2022

Pagina 3 / 3

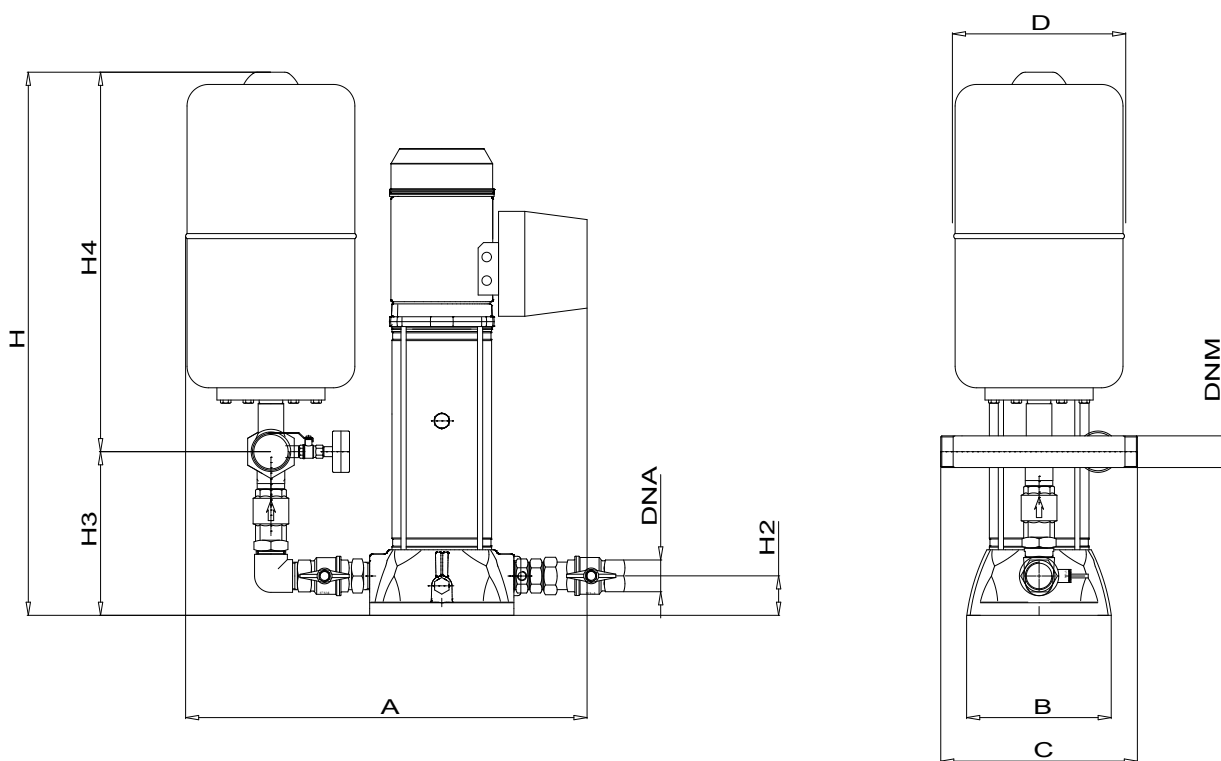
DAB PUMPS S.p.A.
Via Marco Polo, 14 - 35035 Mestrino (PD), Italy
Tel. +39 049 5125000 - Fax +39 049 5125950
www.dabpumps.com

Destinatar

Expeditor

Firma
Referinta
Adresa
Phone
Fax
E-mail

1 KVC 45/120 M



Dimensiuni in mm

1
2
3
4
5
6
7
8
9
10
11
12

A	620
B	300
C	300
D	260
DNA	1" 1/4
DNM	1" 1/2
H	730
H2	60
H3	290
H4	450

Racorduri pompa:

Aspiratie
1" 1/4
1200 kPa

Refulare
1" 1/2
1200 kPa

MAIN_PROJECT_TITLE

BUSINESS_PROCESS_ID

OWNER

ISSUE_DATE

03/25/2022