

Destinatar

 Firma
 Referinta
 Adresa
 Phone
 Fax
 E-mail

Expeditor
Cod articol :

60150939

Articol:

EVOPLUS 60/180 M

Date pompa

 Presiune nominala: 1600 kPa
 Temperatura min. fluid -10 °C
 Temperatura max. fluid 110 °C
 EEI : ≤ 0,22

Presiune minima la nivelul apei:

 Temperatura : °C 90 100
 Presiune minima la nivelul apei: m 20 25

Date de functionare cerute

 Debit :
 Inaltime de pompare :
 Fluid pompat (%) :
 Temperatura fluid: 20 °C
 Densitate 998.3 kg/m³
 Viscositate cinematica: 1.005 mm²/s
 Presiune de vapori: 2.34 kPa

Date disponibile:

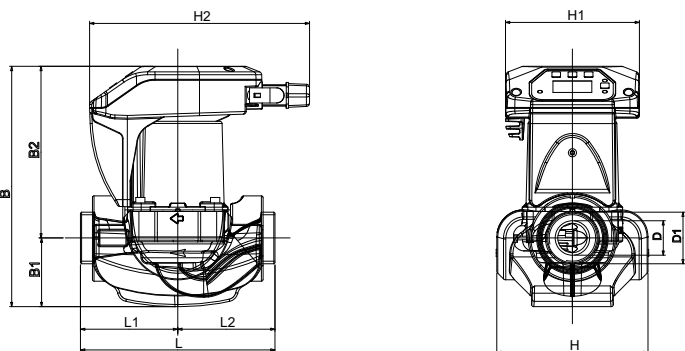
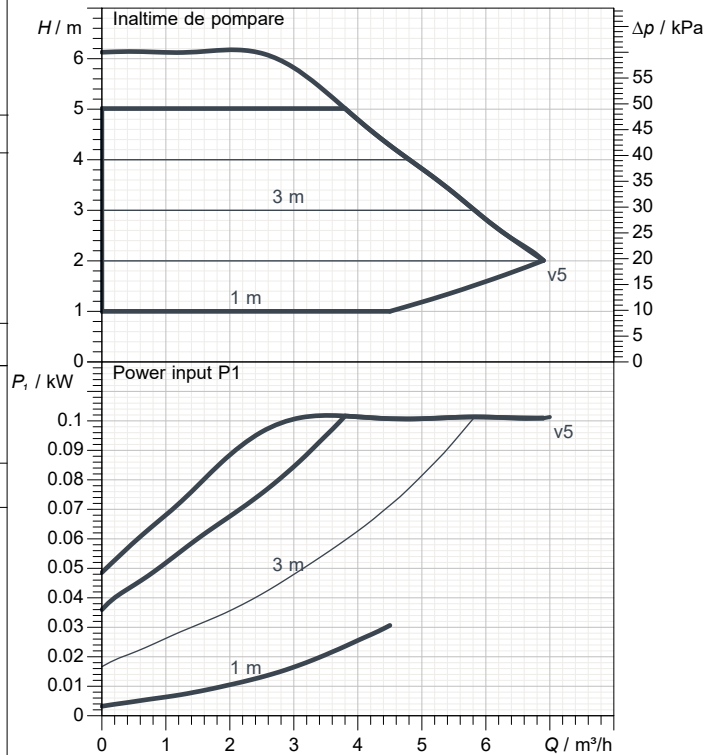
 Debit :
 Inaltime de pompare :

Materiale

 Corp pompa Cast iron 250 UNI ISO 185 - CTF
 Rotor Tecnopolimer
 Arbore motor Alumina
 Inel de etansare EPDM
 Carcasa motorului Aluminu turnat la cald
 Flansa de inchidere Otel inox
 Suport inel de echilibrare EPDM

Date motor

 Marca : DAB
 Putere absorbita P1 0.1 kW
 Tensiune nominala : 1~ 220-240 V 50 Hz
 Curent nominal : 0.72 A
 Grad de protectie: IP 44

Curve tolerance according to ISO 9906

Dimensiuni de gabarit mm

B	224	H1	124				
B1	65	H2	204				
B2	159	L	180				
D	32	L1	90				
D1	1"1/2 G	L2	90				
H	124						

Masa 4.5 kg

Racorduri pompa:

 Partea cu aspiratia: 1"1/2 G
 Partea cu refularea: 1"1/2 G



CURBELOR CARACTERISTICE

10/29/2021

Pagina 2 / 3

DAB PUMPS S.p.A.
Via Marco Polo, 14 - 35035 Mestrino (PD), Italy
Tel. +39 049 5125000 - Fax +39 049 5125950
www.dabpumps.com

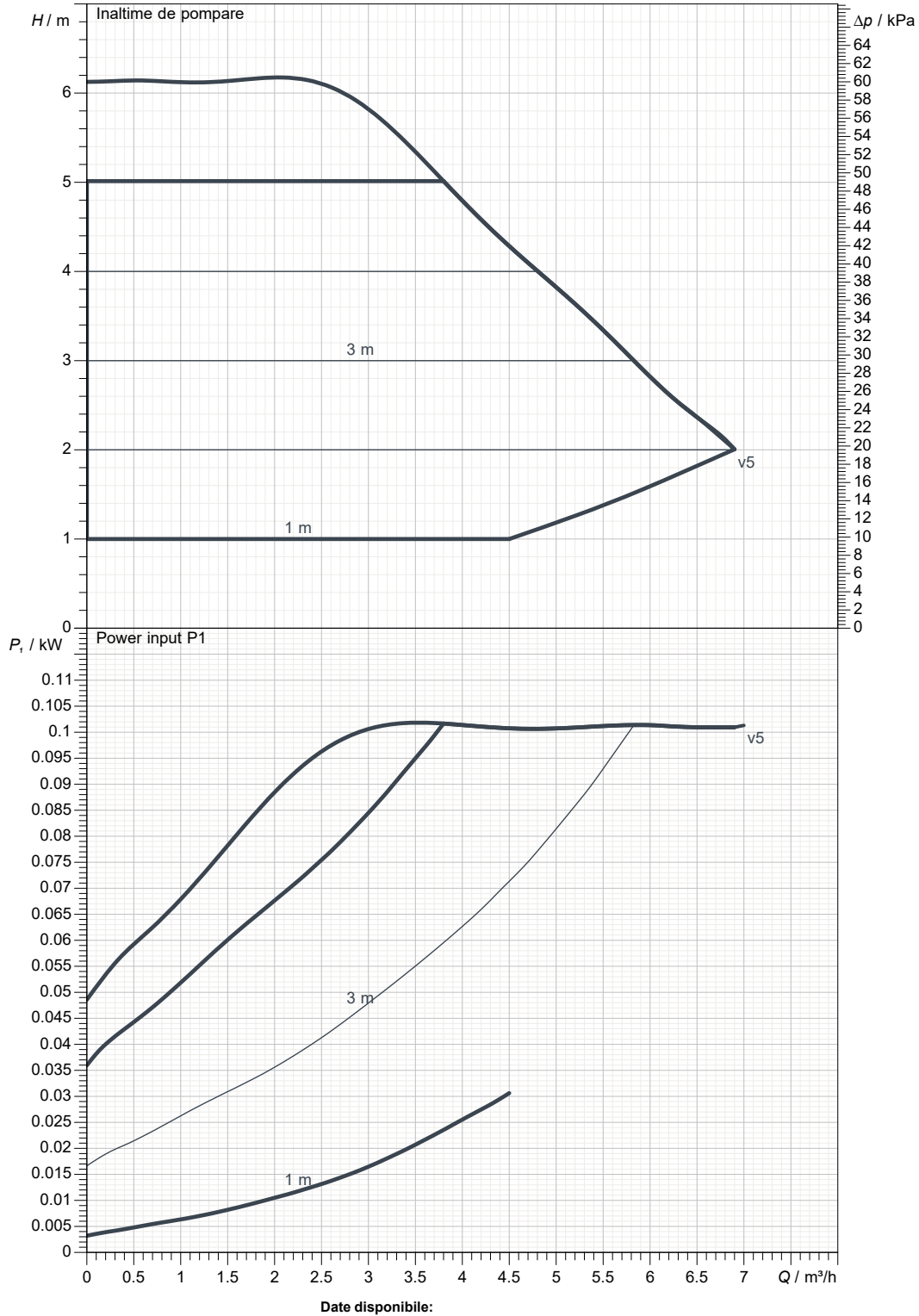
Destinatar

Expeditor

Firma
Referinta
Adresa
Phone
Fax
E-mail

EVOPLUS 60/180 M

Curve tolerance according to ISO 9906



Partea cu aspiratia:
1"1/2 G
16 bar (1600 kPa)

Partea cu refularea:
1"1/2 G
16 bar (1600 kPa)

Debit :

Înaltime de pompare :

Viteza nominala:
2900 1/min

MAIN_PROJECT_TITLE

BUSINESS_PROCESS_ID

OWNER_

ISSUE_DATE



DESEN DIMENSIONAL

10/29/2021

Pagina 3 / 3

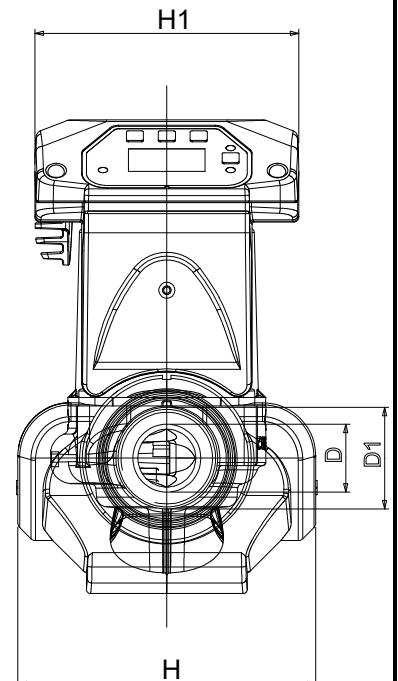
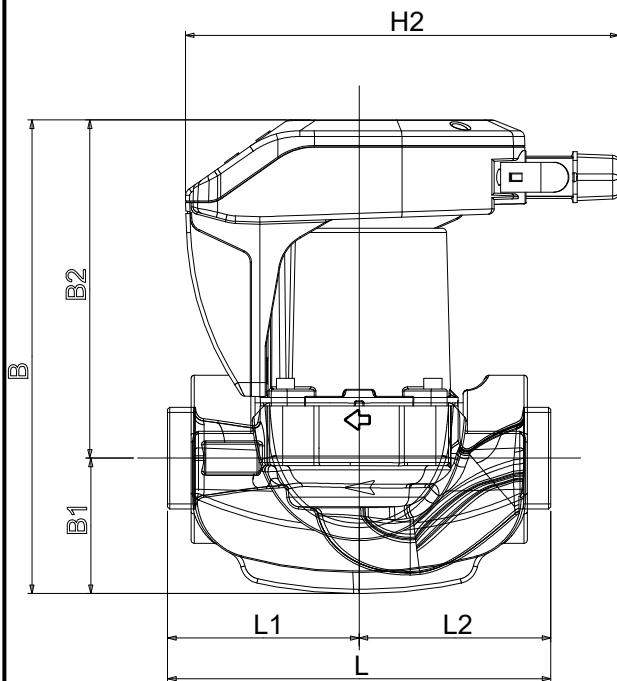
DAB PUMPS S.p.A.
Via Marco Polo, 14 - 35035 Mestrino (PD), Italy
Tel. +39 049 5125000 - Fax +39 049 5125950
www.dabpumps.com

Destinatar

Expeditor

Firma
Referinta
Adresa
Phone
Fax
E-mail

EVOPLUS 60/180 M



Dimensiuni in mm

1	B	224
2	B1	65
3	B2	159
4	D	32
5	D1	1"1/2 G
6	H	124
7	H1	124
8	H2	204
9	L	180
10	L1	90
11	L2	90
12		

Racorduri pompa:

Aspiratie
1"1/2 G
16 bar (1600 kPa)

Refulare
1"1/2 G
16 bar (1600 kPa)

MAIN_PROJECT_TITLE

BUSINESS_PROCESS_ID

OWNER

ISSUE_DATE