

Destinatar

 Firma
 Referinta
 Adresa
 Phone
 Fax
 E-mail

Expeditior
Cod articol :

60169916

Articol:

2 NKP-G 50-160/153 IE3

Date pompa

 MEI \geq 0,40

Diametru rotor: 153 mm

Presiune nominala: 10 bar (1000 KPa)

Temperatura min. fluid -15 °C

Temperatura max. fluid 70 °C

Temperatura max. ambienta 40 °C

Date de functionare cerute

Debit :

Înaltime de pompare :

Fluid pompat : Apă

Temperatura fluid: 20 °C

 Densitate 998.3 kg/m³

 Vascozitate cinematica: 1.005 mm²/s

Presiune de vapori: 2.34 kPa

Date disponibile:

Debit :

Înaltime de pompare :

Materiale

Corp pompa Fonta 200 UNI ISO 185

Suport Fonta 200 UNI ISO 185

Rotor Fonta 200 UNI ISO 185

Etansare mecanica Carbon/carbura de siliciu - EPDM

Garnitura OR Etilen propilen EPDM

Arbore pompa AISI 304 - UNI 6900/71

Motor AISI 304 X5 Cr Ni 1810 UNI 6900/71

Date motor

Marca :

Putere nominala P2: 2 x 7.5 kW

Viteza nominala: 2900 1/min

Tensiune nominala : 3~ 400 V 50 Hz

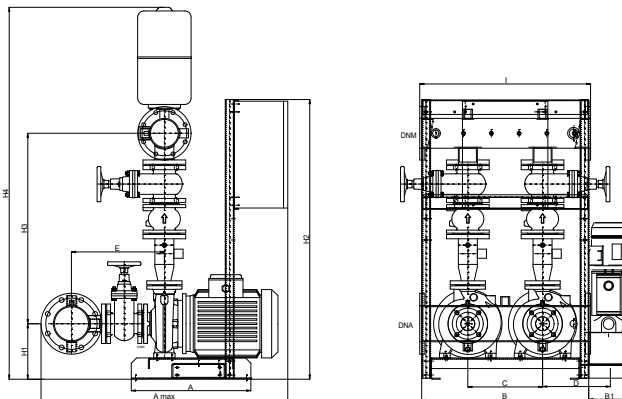
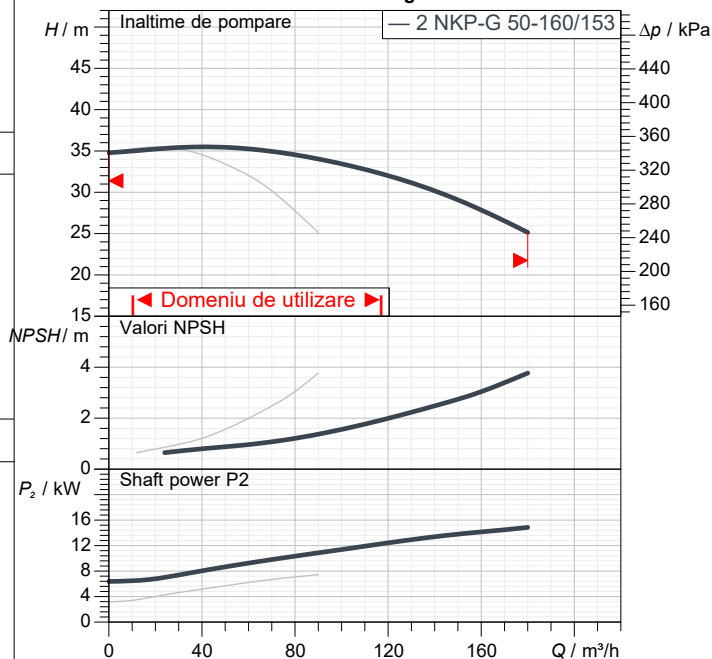
Curent nominal : 2 x 13.4 A

Grad de protecție: IP 55

Racorduri pompa:

Partea cu aspiratia: DN 150 / 10 bar (1000 KPa)

Partea cu refularea: DN 125 / 10 bar (1000 KPa)

Curve tolerance according to ISO 9906


WITHOUT the jockey pump, do not consider B1 and D.

Masa 0 kg

Dimensiuni de gabarit mm

A	560
Amax	1156
B	782
C	350
DNA	DN 150
DNM	DN 125
E	435
H1	260
H2	1310
H3	892
H4	1742
I	800

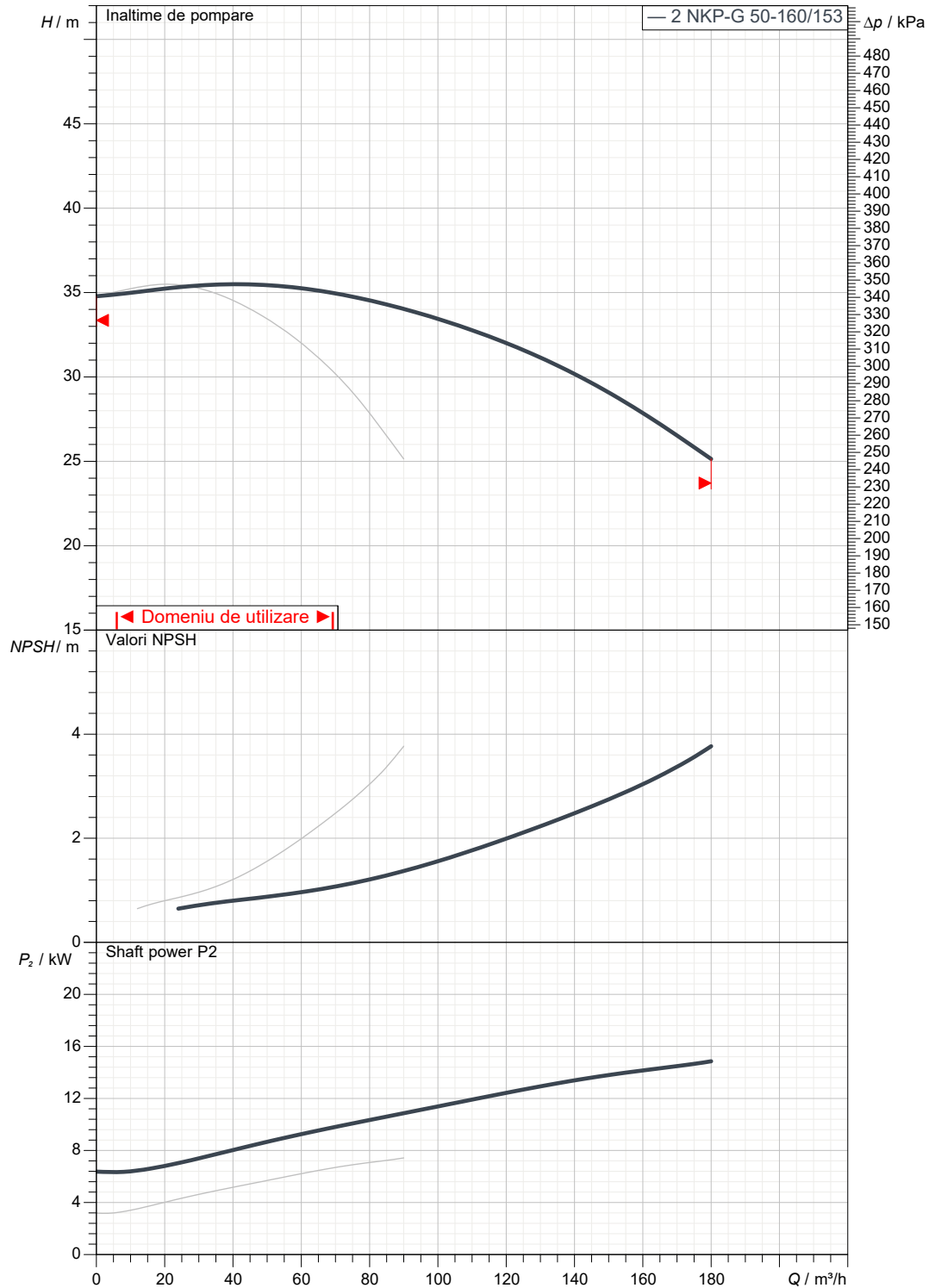
Destinatari

Expeditor

 Firma
 Referinta
 Adresa
 Phone
 Fax
 E-mail

2 NKP-G 50-160/153 IE3

Curve tolerance according to ISO 9906



Date disponibile:

 Partea cu aspiratia:
 DN 150
 10 bar (1000 KPa)

 Partea cu refularea:
 DN 125
 10 bar (1000 KPa)

Debit :

Înaltime de pompare :

 Viteza nominala:
 2900 1/min

MAIN_PROJECT_TITLE

BUSINESS_PROCESS_IC

OWNER_

ISSUE_DATE



DESEN DIMENSIONAL

02/26/202

Pagina 3 / 3

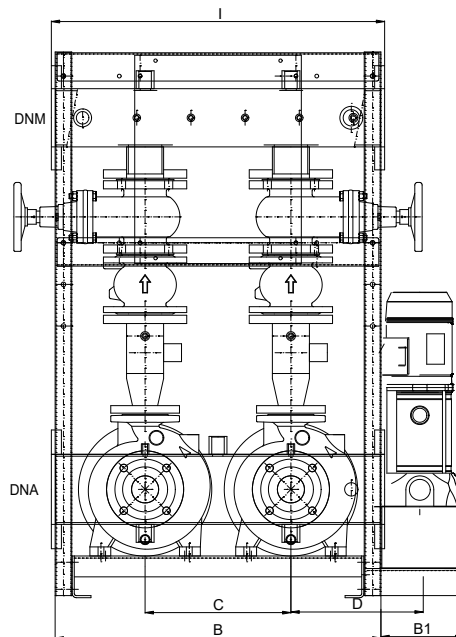
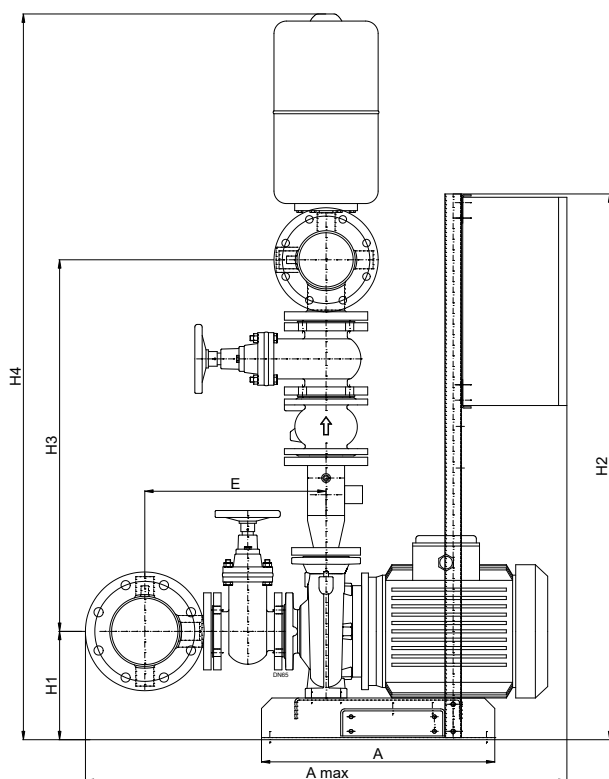
DAB PUMPS S.p.A.
Via Marco Polo, 14 - 35035 Mestrino (PD), Italy
Tel. +39 049 5125000 - Fax +39 049 5125950
www.dabpumps.com

Destinatar

Expeditor

Firma
Referinta
Adresa
Phone
Fax
E-mail

2 NKP-G 50-160/153 IE3



WITHOUT the jockey pump, do not consider B1 and D.

Dimensiuni in mm

1	A	560
2	Amax	1156
3	B	782
4	C	350
5	DNA	DN 150
6	DNM	DN 125
7	E	435
8	H1	260
9	H2	1310
10	H3	892
11	H4	1742
12	I	800

Racorduri pompa:

Aspiratie
DN 150
10 bar (1000 KPa)

Refulare
DN 125
10 bar (1000 KPa)

MAIN_PROJECT_TITLE

BUSINESS_PROCESS_ID

OWNER

ISSUE_DATE