

Destinatar

 Firma
 Referinta
 Adresa
 Phone
 Fax
 E-mail

Expeditor
Cod articol :

60186079

Articol:

EVOSTA3 60/180 X

Date pompa

 Presiune nominala: 1000 kPa
 Temperatura min. fluid -10 °C
 Temperatura max. fluid 110 °C
 EEI : ≤ 0,18

Presiune minima la nivelul apei:

 Temperatura : °C 90
 Presiune minima la nivelul apei: m 10

Date de functionare cerute

 Debit :
 Inaltime de pompare :
 Fluid pompat (%) :
 Temperatura fluid: 20 °C
 Densitate 998.3 kg/m³
 Viscositate cinematica: 1.005 mm²/s
 Presiune de vapori: 2.34 kPa

Date disponibile:

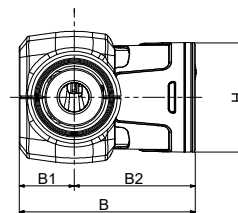
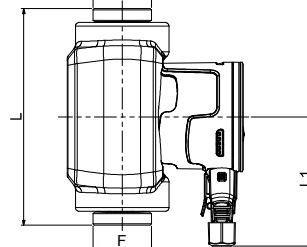
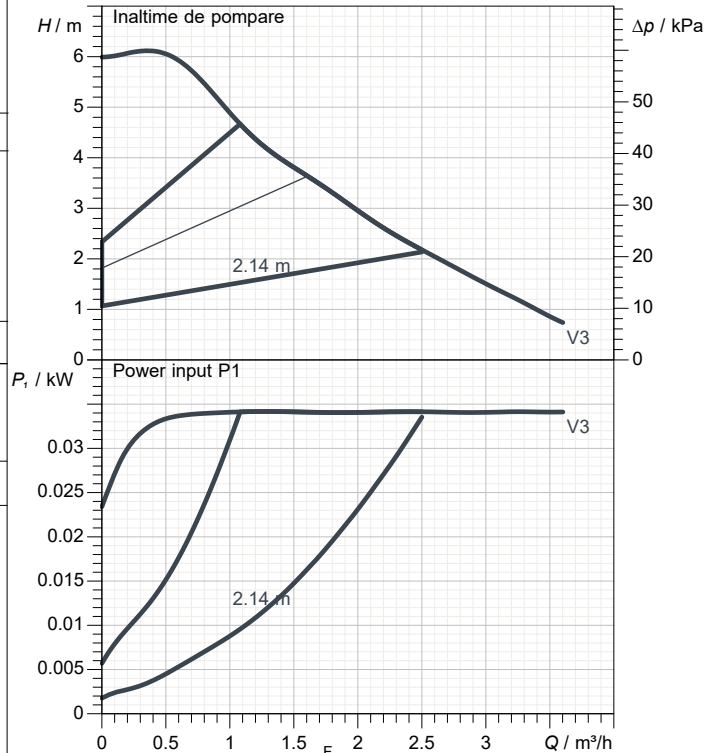
 Debit :
 Inaltime de pompare :

Materiale

 Camasa stator AISI 316
 Rotor Ultrason
 Arbore Alumina
 Bearing housing Alama
 Bushing Alumina
 Rotor Fe
 Axial bearing Grafit

Date motor

 Marca : DAB
 Putere absorbita P1 0.035 kW
 Tensiune nominala : 1~ 230 V 50 Hz
 Curent nominal : 0.33 A
 Grad de protectie: IP X5

Curve tolerance according to ISO 9906

Dimensiuni de gabarit mm

| | | | | | | | |
|----|-------|----|-------|--|--|--|--|
| B | 144.1 | L1 | 107.5 | | | | |
| B1 | 45 | | | | | | |
| B2 | 99.1 | | | | | | |
| F | 2" | | | | | | |
| H | 91 | | | | | | |
| L | 180 | | | | | | |

Masa 2.38 kg

Racorduri pompa:

 Partea cu aspiratia: 2" G
 Partea cu refularea: 2" G

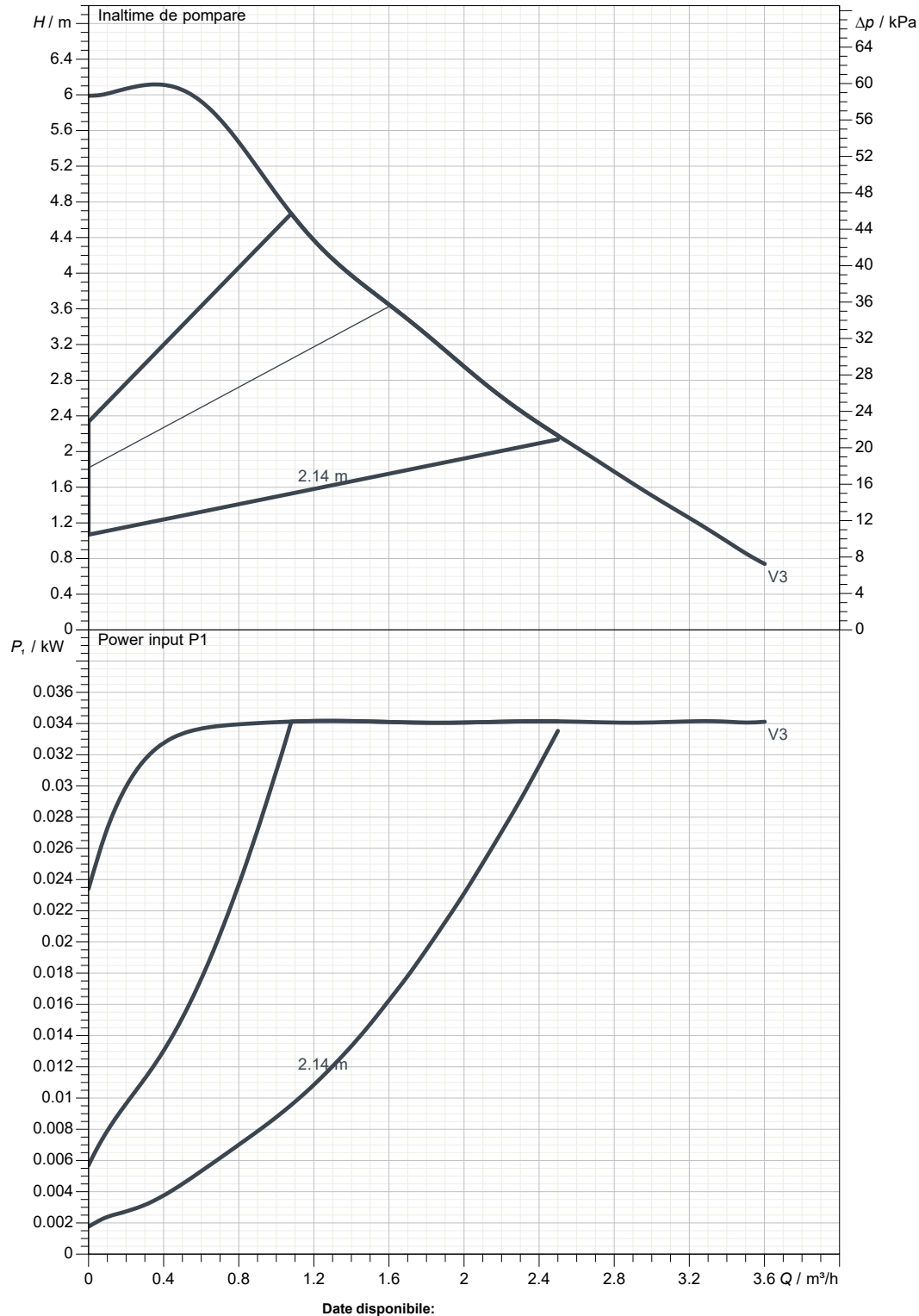
Destinatari

Expeditor

 Firma
 Referinta
 Adresa
 Phone
 Fax
 E-mail

EVOSTA3 60/180 X

Curve tolerance according to ISO 9906


 Partea cu aspiratia:
 2" G
 10 bar (1000 KPa)

 Partea cu refularea:
 2" G
 10 bar (1000 KPa)

Debit :

Înaltime de pompare :

 Viteza nominala:
 2900 1/min

MAIN_PROJECT_TITLE

BUSINESS_PROCESS_ID

OWNER_

ISSUE_DATE



DESEN DIMENSIONAL

12/04/2021

Pagina 3 / 3

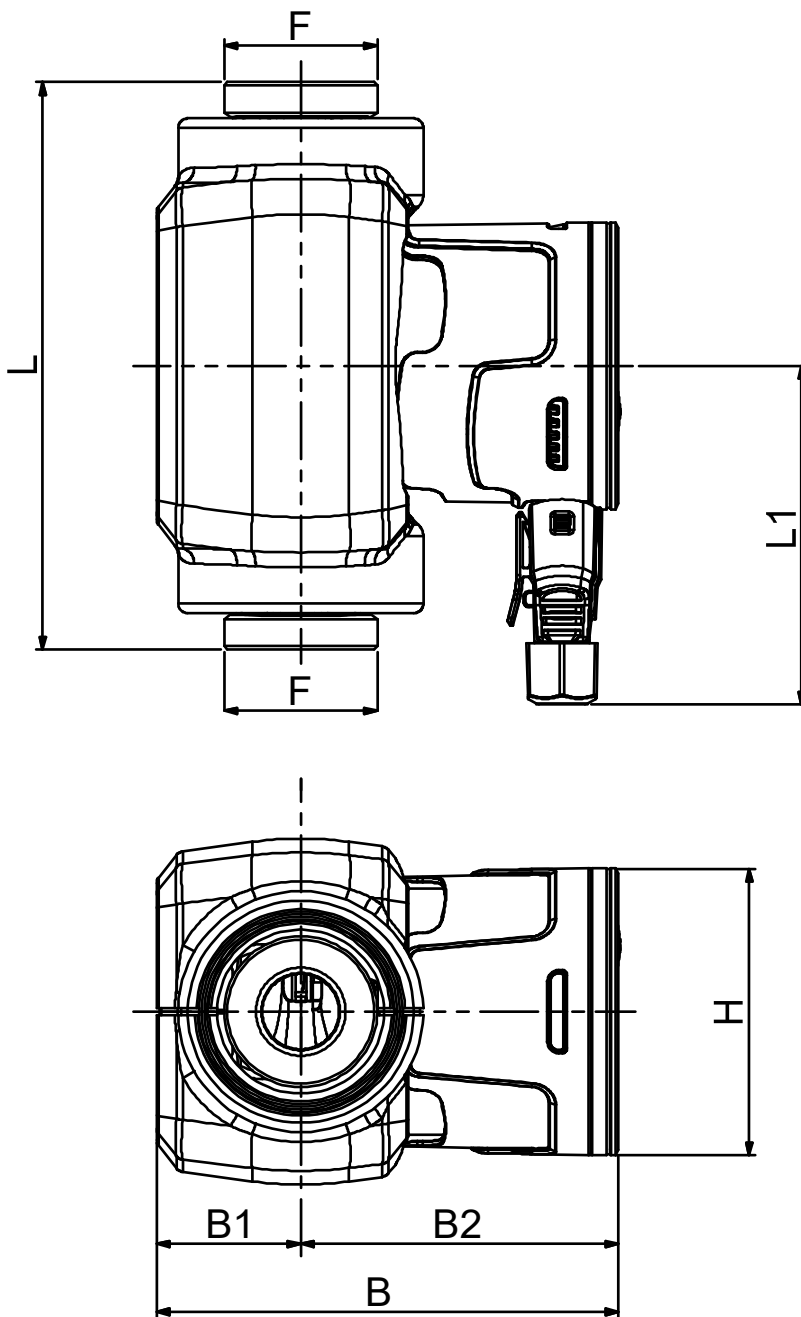
DAB PUMPS S.p.A.
Via Marco Polo, 14 - 35035 Mestrino (PD), Italy
Tel. +39 049 5125000 - Fax +39 049 5125950
www.dabpumps.com

Destinatar

Expeditor

Firma
Referinta
Adresa
Phone
Fax
E-mail

EVOSTA3 60/180 X



Dimensiuni in mm

| | | |
|----|----|-------|
| 1 | B | 144.1 |
| 2 | B1 | 45 |
| 3 | B2 | 99.1 |
| 4 | F | 2" |
| 5 | H | 91 |
| 6 | L | 180 |
| 7 | L1 | 107.5 |
| 8 | | |
| 9 | | |
| 10 | | |
| 11 | | |
| 12 | | |

Racorduri pompa:

Aspiratie
2" G
10 bar (1000 KPa)

Refulare
2" G
10 bar (1000 KPa)

MAIN_PROJECT_TITLE

BUSINESS_PROCESS_ID

OWNER

ISSUE_DATE