

**Destinatar**

**Expeditor**

Firma  
Referinta  
Adresa  
Phone  
Fax  
E-mail

**Cod articol :**

60185492

**Articol:**

EVOSTA2 40-70/180

**Date pompa**

Presiune nominala: 1000 kPa  
Temperatura min. fluid -10 °C  
Temperatura max. fluid 110 °C  
EEI : ≤ 0,18

**Presiune minima la nivelul apei:**

Temperatura : °C 90  
Presiune minima la nivelul apei: m 10

**Date de functionare cerute**

Debit :  
Inaltime de pompare :  
Fluid pompat (%) :  
Temperatura fluid: 20 °C  
Densitate 998.3 kg/m<sup>3</sup>  
Vasozitate cinematica: 1.005 mm<sup>2</sup>/s  
Presiune de vapori: 2.34 kPa

**Date disponibile:**

Debit :  
Inaltime de pompare :

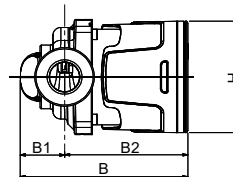
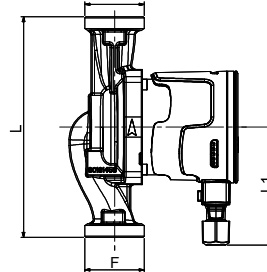
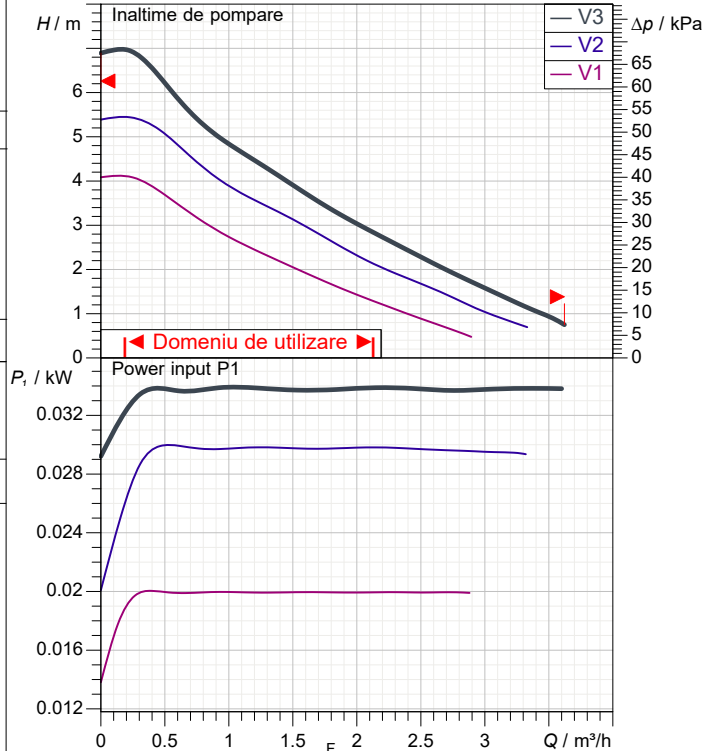
**Materiale**

Camasa stator AISI 316  
Rotor Ultrason  
Arbore Alumina  
Bearing housing Alama  
Bushing Alumina  
Rotor Fe  
Axial bearing Grafit

**Date motor**

Marca : DAB  
Putere absorbita P1 0.035 kW  
Tensiune nominala : 1~ 230 V 50 Hz  
Curent nominal : 0.32 A  
Grad de protectie: IP X5

**Curve tolerance according to ISO 9906**



**Dimensiuni de gabarit mm**

B	134.6	L1	96					
B1	35.5							
B2	99.1							
F	1"1/2							
H	91							
L	180							

**Masa** 2.19 kg

**Racorduri pompa:**

Partea cu aspiratia: 1" 1/2 G  
Partea cu refularea: 1" 1/2 G

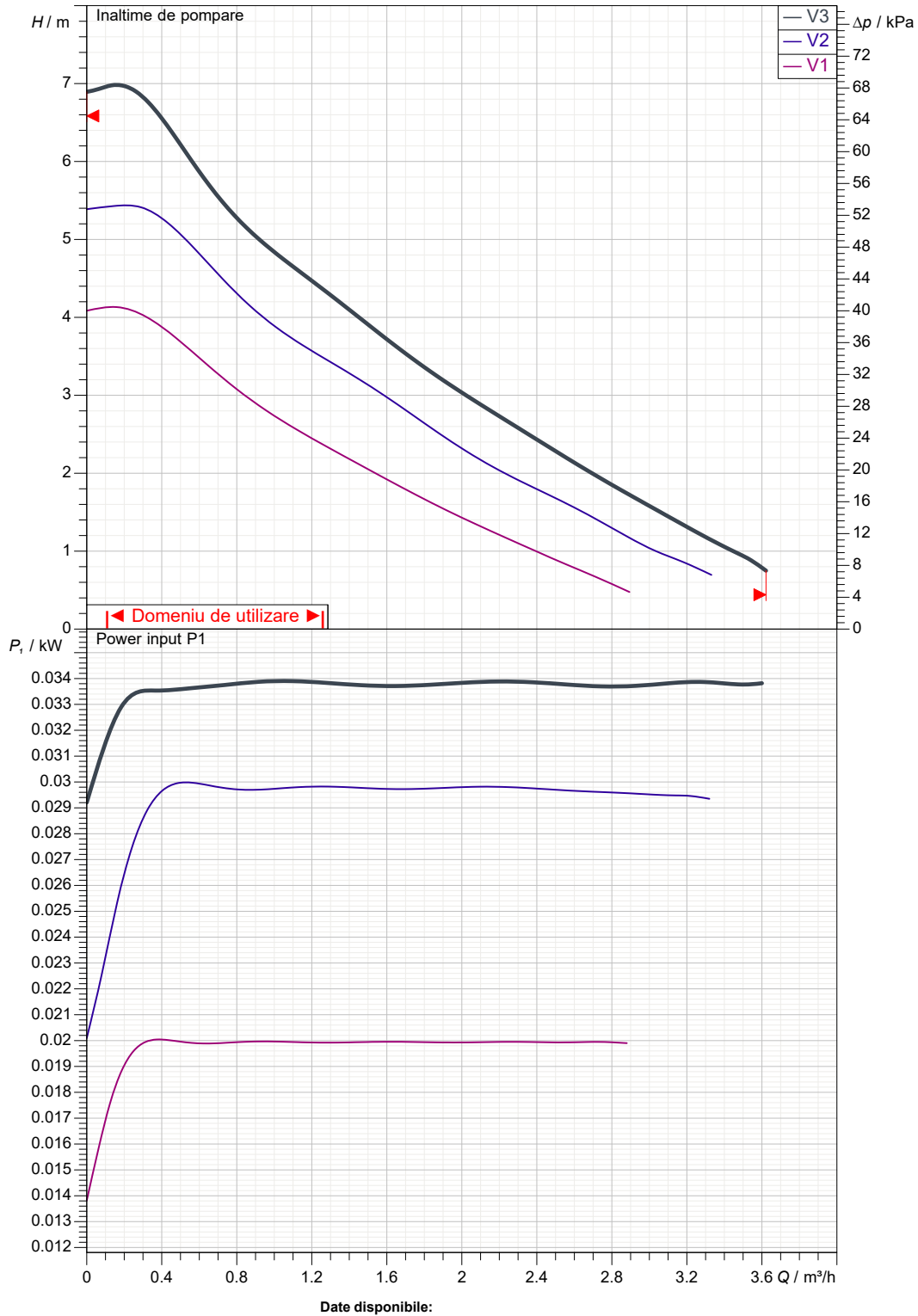
Destinatari

Expeditor

 Firma  
 Referinta  
 Adresa  
 Phone  
 Fax  
 E-mail

**EVOSTA2 40-70/180**

Curve tolerance according to ISO 9906


 Partea cu aspiratia:  
 1" 1/2 G  
 10 bar (1000 KPa)

 Partea cu refularea:  
 1" 1/2 G  
 10 bar (1000 KPa)

Debit :

Înaltime de pompare :

 Viteza nominala:  
 2900 1/min

MAIN\_PROJECT\_TITLE

BUSINESS\_PROCESS\_IC

OWNER\_

ISSUE\_DATE



# DESEN DIMENSIONAL

02/17/202

Pagina 3 / 3

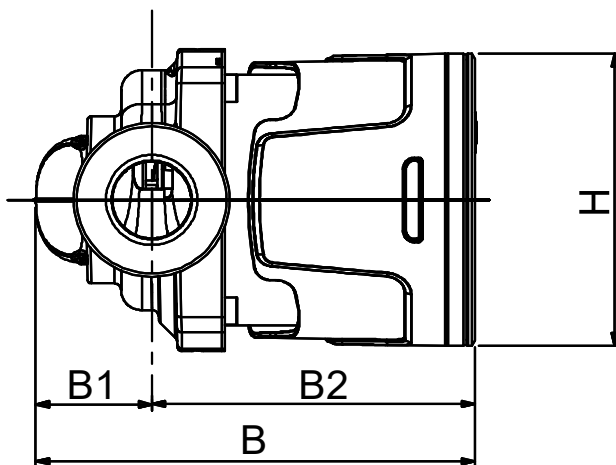
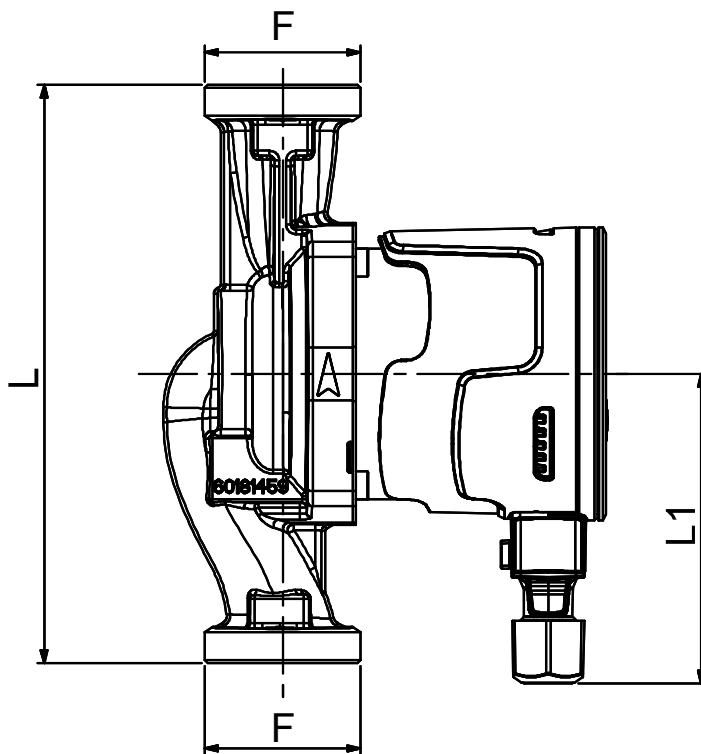
DAB PUMPS S.p.A.  
Via Marco Polo, 14 - 35035 Mestrino (PD), Italy  
Tel. +39 049 5125000 - Fax +39 049 5125950  
www.dabpumps.com

Destinatar

Expeditor

Firma  
Referinta  
Adresa  
Phone  
Fax  
E-mail

## EVOSTA2 40-70/180



### Dimensiuni in mm

1	B	134.6
2	B1	35.5
3	B2	99.1
4	F	1"1/2
5	H	91
6	L	180
7	L1	96
8		
9		
10		
11		
12		

### Racorduri pompa:

Aspiratie  
1" 1/2 G  
10 bar (1000 KPa)

Refulare  
1" 1/2 G  
10 bar (1000 KPa)

MAIN\_PROJECT\_TITLE

BUSINESS\_PROCESS\_ID

OWNER

ISSUE\_DATE