

### Destinatar

Firma  
Referinta  
Adresa  
Phone  
Fax  
E-mail

### Expeditor

### Cod articol :

60187267

### Articol:

EVOSTA2 11/85 SAN R 1/2"

### Date pompa

Presiune nominala: 1000 kPa  
Temperatura min. fluid 2 °C  
Temperatura max. fluid 75 °C  
EEI : ≤

### Presiune minima la nivelul apei:

Temperatura : °C 90  
Presiune minima la nivelul apei: m 10

### Date de functionare cerute

Debit :  
Inaltime de pompare :  
Fluid pompat (%) :  
Temperatura fluid: 20 °C  
Densitate 998.3 kg/m³  
Vasozitate cinematica: 1.005 mm²/s  
Presiune de vapori: 2.34 kPa

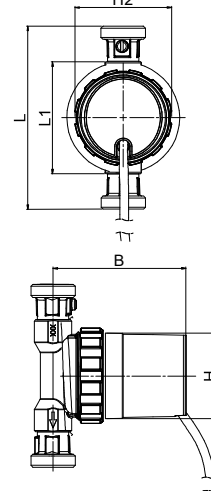
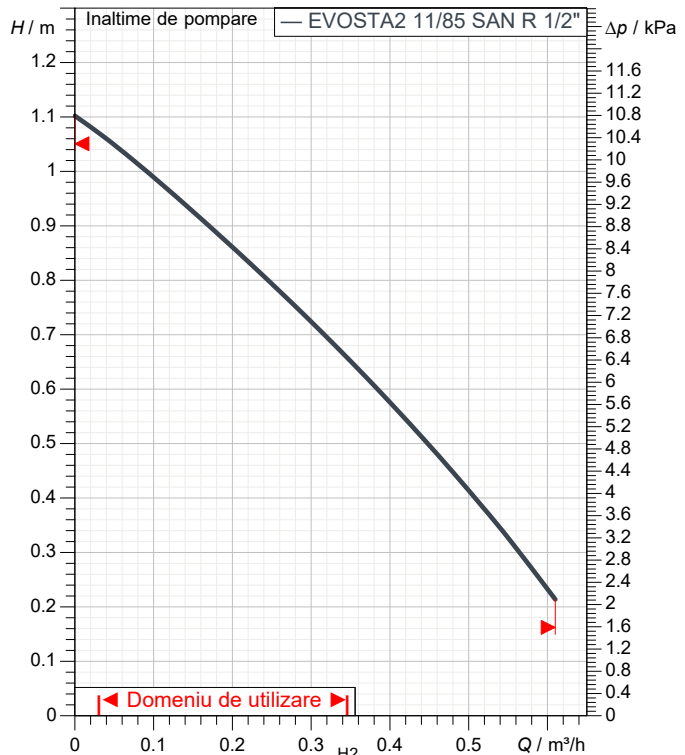
### Date disponibile:

Debit :  
Inaltime de pompare :

### Materiale

Corp pompa Alama

### Curve tolerance according to ISO 9906



### Date motor

Marca : DAB  
Putere absorbita P1 0.007 kW  
Tensiune nominala : 1~ 230 V 50 Hz  
Curent nominal : 0.07 A  
Grad de protectie: IP 42

### Dimensiuni de gabarit mm

B	100						
H	65						
H2	72						
L1	85						

Masa 1.26 kg

### Racorduri pompa:

Partea cu aspiratia: 1/2" G  
Partea cu refularea: 1/2" G



# CURBELOR CARACTERISTICE

05/11/2022

Pagina 2 / 3

DAB PUMPS S.p.A.  
Via Marco Polo, 14 - 35035 Mestrino (PD), Italy  
Tel. +39 049 5125000 - Fax +39 049 5125950  
www.dabpumps.com

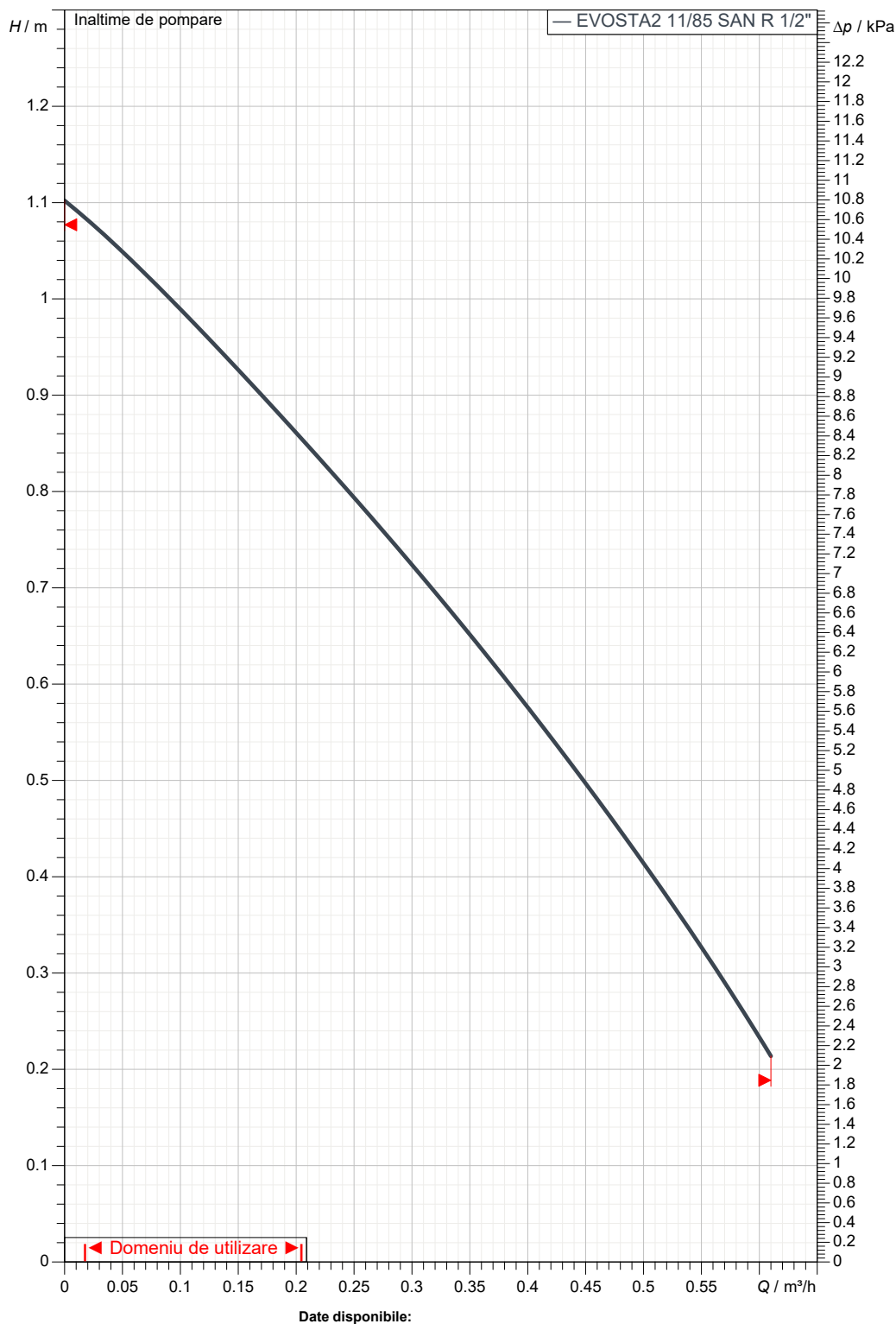
Destinatar

Expeditor

Firma  
Referinta  
Adresa  
Phone  
Fax  
E-mail

## EVOSTA2 11/85 SAN R 1/2"

Curve tolerance according to ISO 9906



Date disponibile:

Partea cu aspiratia:  
1/2" G  
1000 kPa

Partea cu refularea:  
1/2" G  
1000 kPa

Debit :

Înaltime de pompare :

Viteza nominala:  
2900 1/min

MAIN\_PROJECT\_TITLE

BUSINESS\_PROCESS\_ID

OWNER\_

ISSUE\_DATE

05/11/2022



# DESEN DIMENSIONAL

05/11/2022

Pagina 3 / 3

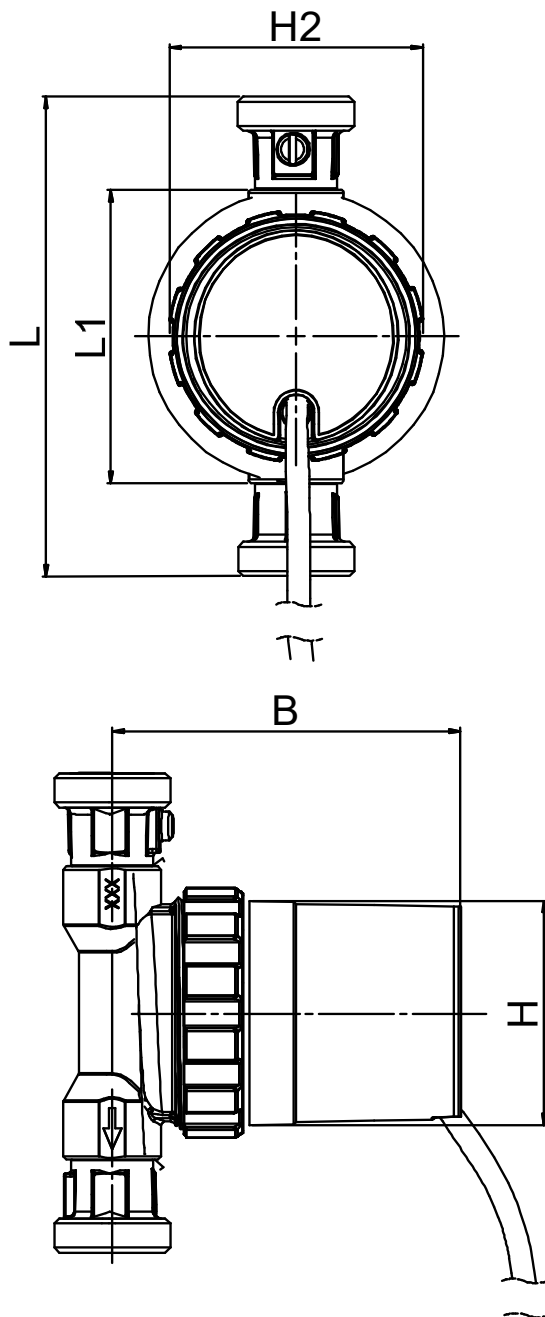
DAB PUMPS S.p.A.  
Via Marco Polo, 14 - 35035 Mestrino (PD), Italy  
Tel. +39 049 5125000 - Fax +39 049 5125950  
www.dabpumps.com

Destinatar

Expeditor

Firma  
Referinta  
Adresa  
Phone  
Fax  
E-mail

## EVOSTA2 11/85 SAN R 1/2"



Dimensiuni in mm

Racorduri pompa:

1	B	100						
2	H	65						Aspiratie
3	H2	72						1/2 " G
4	L1	85						1000 kPa
5								
6								
7								Refulare
8								1/2 " G
9								1000 kPa
10								
11								
12								

MAIN\_PROJECT\_TITLE

BUSINESS\_PROCESS\_ID

OWNER

ISSUE\_DATE

05/11/2022