

**Destinatar**

 Firma  
 Referinta  
 Adresa  
 Phone  
 Fax  
 E-mail

**Expeditor**
**Cod articol :**

60187268

**Articol:**

EVOSTA2 11/139 SAN V

**Date pompa**

 Presiune nominala: 1000 kPa  
 Temperatura min. fluid 2 °C  
 Temperatura max. fluid 75 °C  
 EEI : ≤

**Presiune minima la nivelul apei:**

 Temperatura : °C 90  
 Presiune minima la nivelul apei: m 10

**Date de functionare cerute**

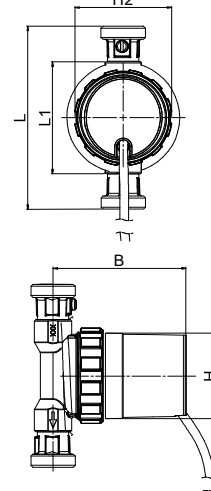
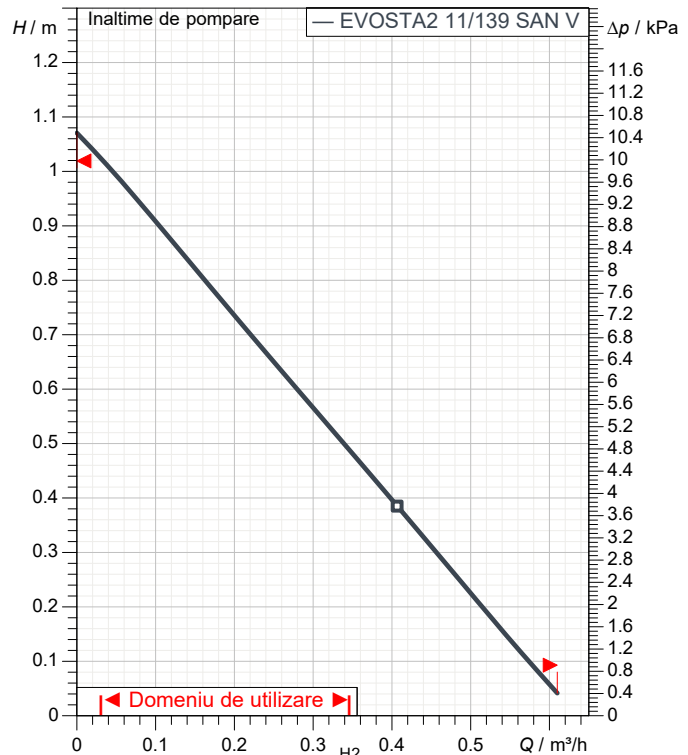
 Debit :  
 Inaltime de pompare :  
 Fluid pompat (%) :  
 Temperatura fluid: 20 °C  
 Densitate 998.3 kg/m³  
 Vascositate cinematica: 1.005 mm²/s  
 Presiune de vapori: 2.34 kPa

**Date disponibile:**

 Debit :  
 Inaltime de pompare :

**Materiale**

Corp pompa Alama

**Curve tolerance according to ISO 9906**

**Date motor**

 Marca : DAB  
 Putere absorbita P1 0.007 kW  
 Tensiune nominala : 1~ 230 V 50 Hz  
 Curent nominal : 0.07 A  
 Grad de protectie: IP 42

**Dimensiuni de gabarit mm**

B	100						
H	65						
H2	72						
L	139						
L1	-						

**Masa** 1.065 kg

**Racorduri pompa:**

 Partea cu aspiratia: 1" G  
 Partea cu refularea: 1" G



# CURBELOR CARACTERISTICE

12/04/2021

Pagina 2 / 3

DAB PUMPS S.p.A.  
Via Marco Polo, 14 - 35035 Mestrino (PD), Italy  
Tel. +39 049 5125000 - Fax +39 049 5125950  
www.dabpumps.com

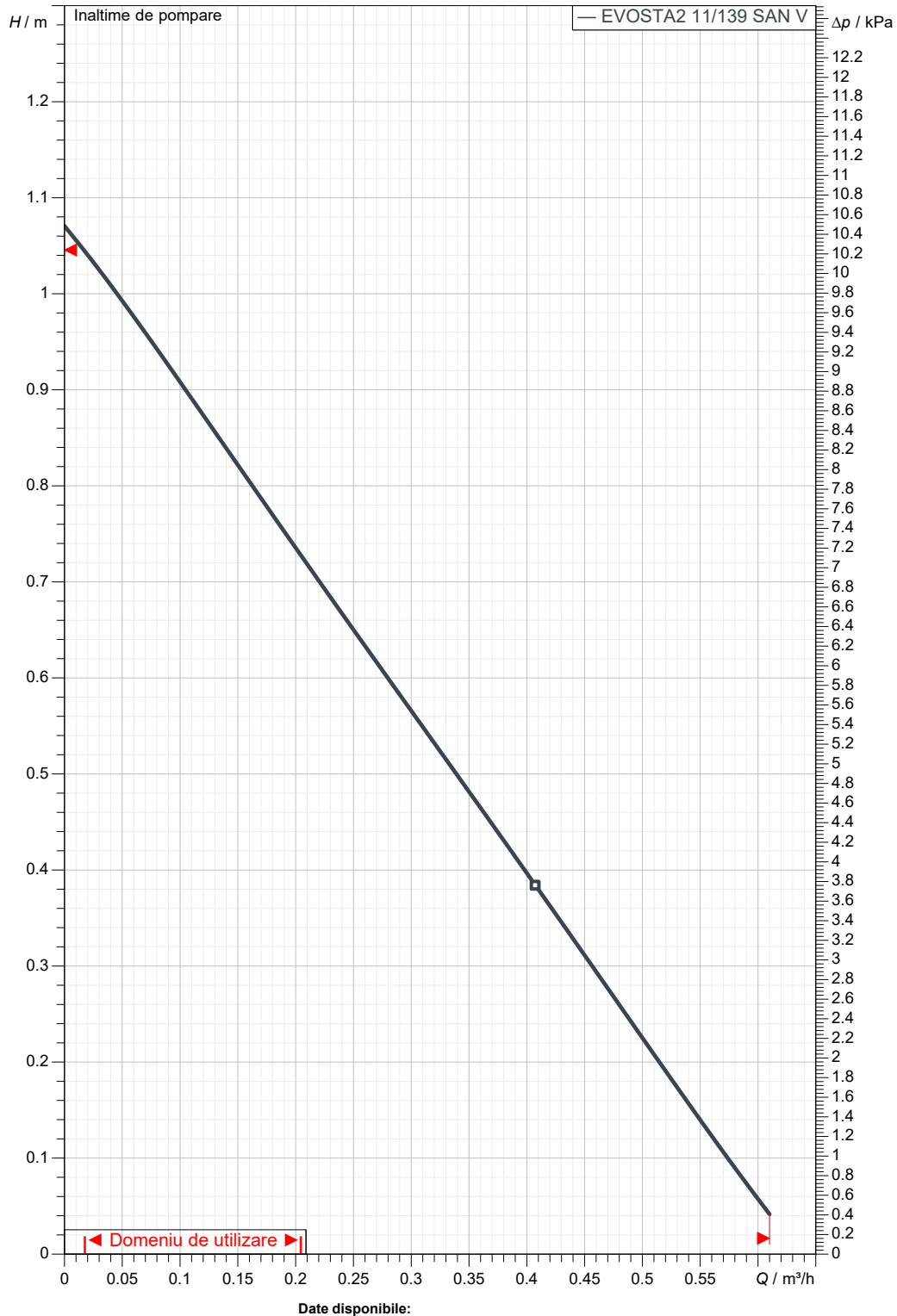
Destinatar

Expeditor

Firma  
Referinta  
Adresa  
Phone  
Fax  
E-mail

## EVOSTA2 11/139 SAN V

Curve tolerance according to ISO 9906



Partea cu aspiratia:  
1" G  
10 bar (1000 KPa)

Partea cu refularea:  
1" G  
10 bar (1000 KPa)

Debit :

Înaltime de pompare :

Viteza nominala:  
2900 1/min

MAIN\_PROJECT\_TITLE

BUSINESS\_PROCESS\_ID

OWNER\_

ISSUE\_DATE



# DESEN DIMENSIONAL

12/04/2021

Pagina 3 / 3

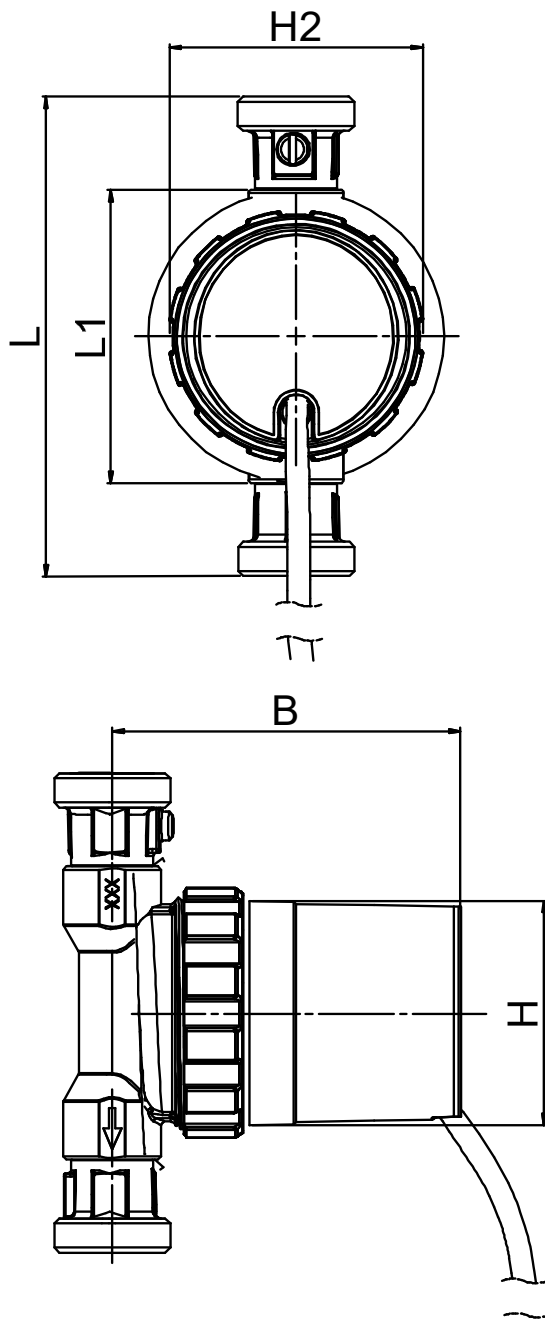
DAB PUMPS S.p.A.  
Via Marco Polo, 14 - 35035 Mestrino (PD), Italy  
Tel. +39 049 5125000 - Fax +39 049 5125950  
www.dabpumps.com

Destinatari

Expeditori

Firma  
Referinta  
Adresa  
Phone  
Fax  
E-mail

## EVOSTA2 11/139 SAN V



Dimensiuni in mm

1  
2  
3  
4  
5  
6  
7  
8  
9  
10  
11  
12

B	100
H	65
H2	72
L	139
L1	-

Racorduri pompa:

Aspiratie  
1" G  
10 bar (1000 KPa)

Refulare  
1" G  
10 bar (1000 KPa)

MAIN\_PROJECT\_TITLE

BUSINESS\_PROCESS\_ID

OWNER

ISSUE\_DATE