

Destinatar

Firma
Referinta
Adresa
Phone
Fax
E-mail

Expeditor

Cod articol :

60186087

Articol:

EVOSTA3 80/130

Date pompa

Presiune nominala: 1000 kPa
Temperatura min. fluid -10 °C
Temperatura max. fluid 110 °C
EEI : ≤ 0,19

Presiune minima la nivelul apei:

Temperatura : °C 90
Presiune minima la nivelul apei: m 10

Date de functionare cerute

Debit :
Inaltime de pompare :
Fluid pompat (%) :
Temperatura fluid: 20 °C
Densitate 998.3 kg/m³
Vasozitate cinematica: 1.005 mm²/s
Presiune de vapori: 2.34 kPa

Date disponibile:

Debit :
Inaltime de pompare :

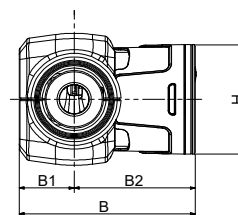
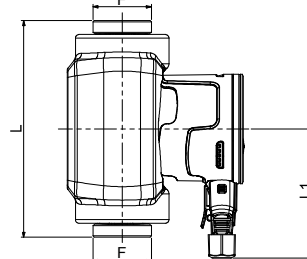
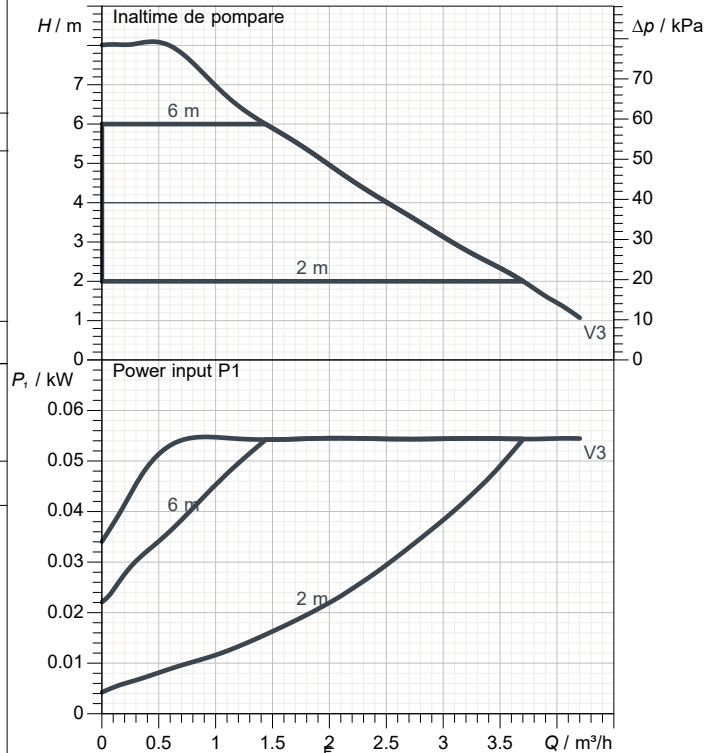
Materiale

Camasa stator AISI 316
Rotor Ultrason
Arbore Alumina
Bearing housing Alama
Bushing Alumina
Rotor Fe
Axial bearing Grafit

Date motor

Marca : DAB
Putere absorbita P1 0.055 kW
Tensiune nominala : 1~ 230 V 50 Hz
Curent nominal : 0.47 A
Grad de protectie: IP X5

Curve tolerance according to ISO 9906



Dimensiuni de gabarit mm

B	144.1	L1	107.5				
B1	45						
B2	99.1						
F	1"1/2						
H	91						
L	130						

Masa 2.05 kg

Racorduri pompa:

Partea cu aspiratia: 1" 1/2 G
Partea cu refularea: 1" 1/2 G



WATER • TECHNOLOGY

CURBELOR CARACTERISTICE

09/30/202

Pagina 2 / 3

DAB PUMPS S.p.A.
Via Marco Polo, 14 - 35035 Mestrino (PD), Italy
Tel. +39 049 5125000 - Fax +39 049 5125950
www.dabpumps.com

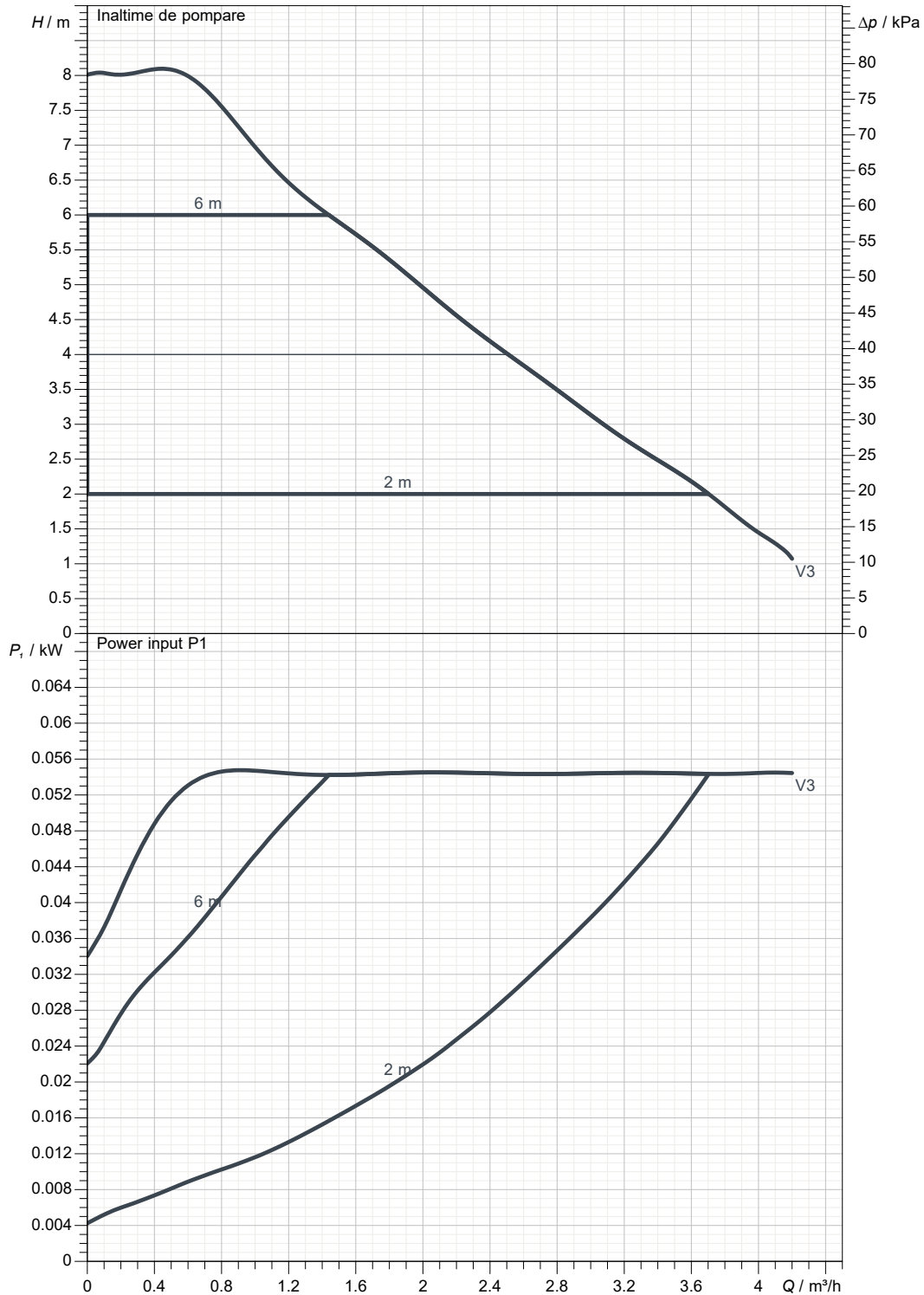
Destinatar

Expeditor

Firma
Referinta
Adresa
Phone
Fax
E-mail

EVOSTA3 80/130

Curve tolerance according to ISO 9906



Date disponibile:

Partea cu aspiratia:
1" 1/2 G
10 bar (1000 KPa)

Partea cu refularea:
1" 1/2 G
10 bar (1000 KPa)

Debit :

Înaltime de pompare :

Viteza nominala:
2900 1/min

MAIN_PROJECT_TITLE

BUSINESS_PROCESS_ID

OWNER_

ISSUE_DATE



DESEN DIMENSIONAL

09/30/202

Pagina 3 / 3

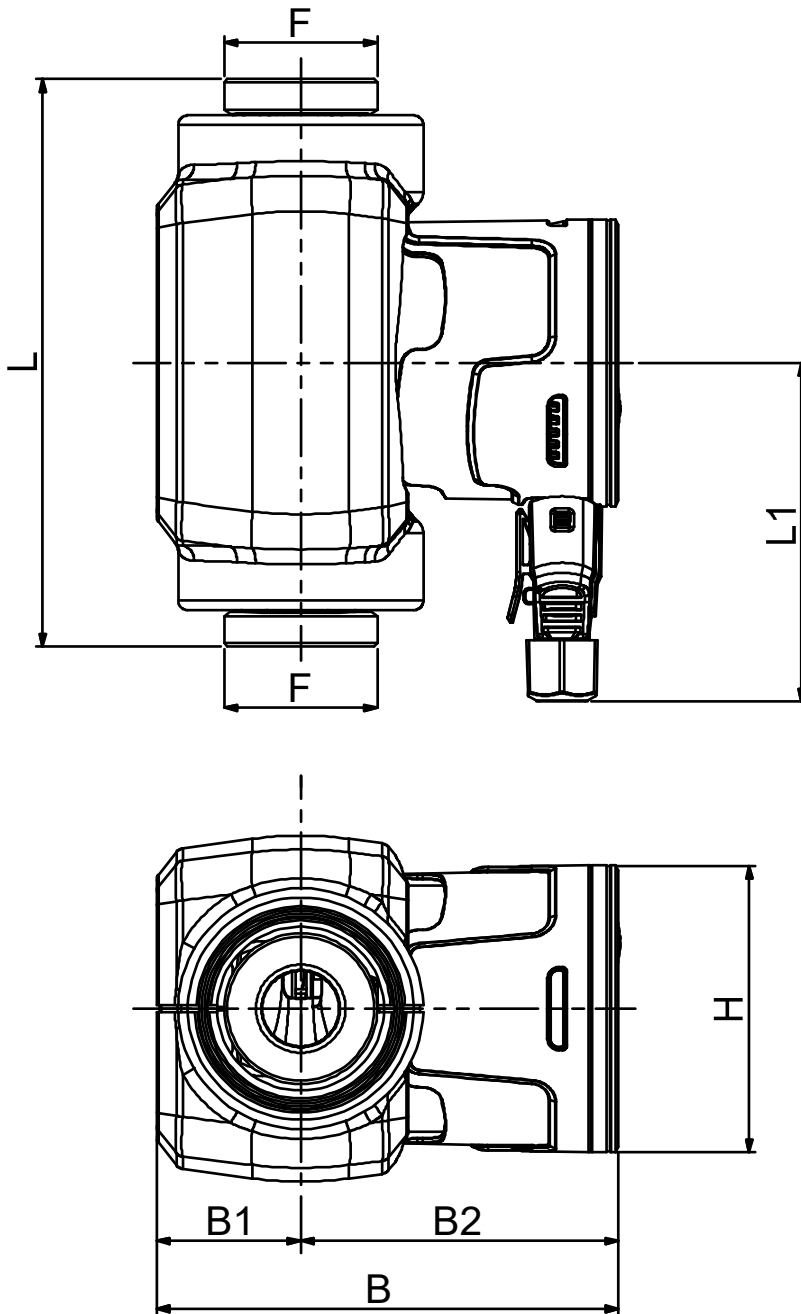
DAB PUMPS S.p.A.
Via Marco Polo, 14 - 35035 Mestrino (PD), Italy
Tel. +39 049 5125000 - Fax +39 049 5125950
www.dabpumps.com

Destinatar

Expeditor

Firma
Referinta
Adresa
Phone
Fax
E-mail

EVOSTA3 80/130



Dimensiuni in mm

1	B	144.1
2	B1	45
3	B2	99.1
4	F	1"1/2
5	H	91
6	L	130
7	L1	107.5
8		
9		
10		
11		
12		

Racorduri pompa:

Aspiratie
1" 1/2 G
10 bar (1000 KPa)

Refulare
1" 1/2 G
10 bar (1000 KPa)

MAIN_PROJECT_TITLE

BUSINESS_PROCESS_ID

OWNER

ISSUE_DATE