

### Destinatar

Firma  
Referinta  
Adresa  
Phone  
Fax  
E-mail

### Expeditor

### Cod articol :

60179406

### Articol:

K 12/200 T IE3

### Date pompa

MEI  $\geq 0,70$

Presiune nominala: 6 bar (600 kPa)

Temperatura min. fluid -10 °C

Temperatura max. fluid 50 °C

Temperatura max. ambienta 40 °C

### Date de functionare cerute

Debit :

Înaltime de pompare :

Fluid pompat : Apă

Temperatura fluid: 20 °C

Densitate 998.3 kg/m<sup>3</sup>

Vascozitate cinematica: 1.005 mm<sup>2</sup>/s

Presiune de vapori: 2.34 kPa

### Date disponibile:

Debit :

Înaltime de pompare :

NPSH :

Shaft power P2 :

Efficiency :

### Materiale

Corp pompa Fonta 200 UNI ISO 185

Suport Fonta 200 UNI ISO 185

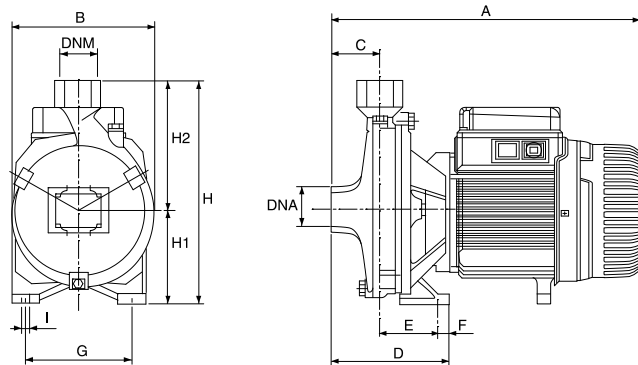
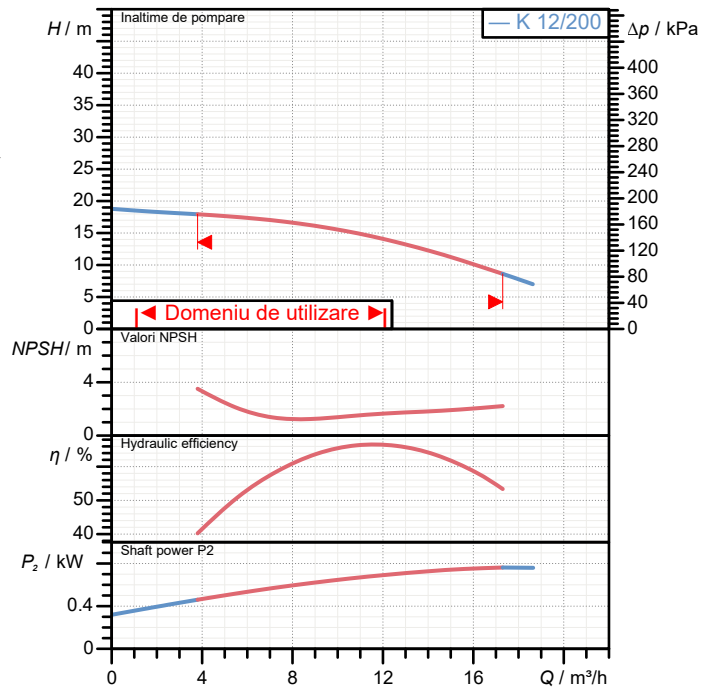
Rotor Tecnopolimer A

Etansare mecanica Carbon/Ceramica

Garnitura OR Cauciuc NBR

Arbore cu rotor AISI 416 X12 CrS 13 UNI 6900/71

### Curve tolerance according to ISO 9906



Masa 13.7 kg

### Date motor

Marca :

DAB

Putere nominala P2:

0.75 kW

Viteza nominala:

2940 1/min

Tensiune nominala :

3~ 230 V

50 Hz

Curent nominal :

3.5 A

Grad de protecție:

IP 44

### Dimensiuni de gabarit mm

A	325
B	173
C	45
D	118
DNA	1"1/2 G-M
DNM	1"1/2 G-M
E	58
F	15
G	110
H	218
H1	85
H2	125
I	9.5

### Racorduri pompa:

Partea cu aspiratia: 1" 1/2 G-M 6 bar (600 kPa)

Partea cu refularea: 1" 1/2 G-M 6 bar (600 kPa)



# CURBELOR CARACTERISTICE

11/20/2021

Pagina 2 / 3

DAB PUMPS S.p.A.  
Via Marco Polo, 14 - 35035 Mestrino (PD), Italy  
Tel. +39 049 5125000 - Fax +39 049 5125950  
www.dabpumps.com

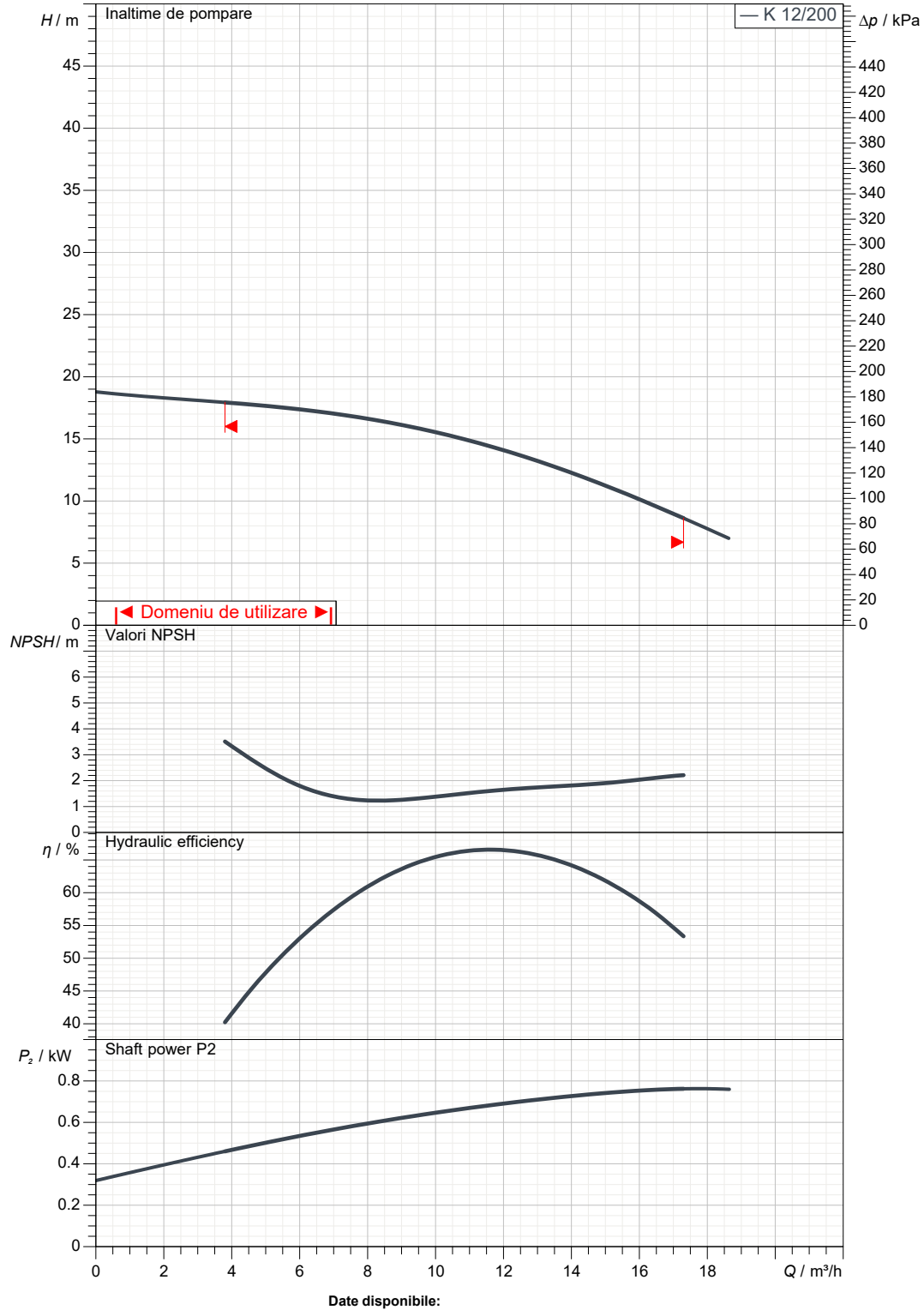
Destinatar

Expedito

Firma  
Referinta  
Adresa  
Phone  
Fax  
E-mail

**K 12/200 T IE3**

Curve tolerance according to ISO 9906



Partea cu aspiratia:  
1" 1/2 G-M  
6 bar (600 kPa)

Partea cu refularea:  
1" 1/2 G-M  
6 bar (600 kPa)

Debit :

Înaltime de pompare :

Viteza nominala:  
2940 1/min

MAIN\_PROJECT\_TITLE

BUSINESS\_PROCESS\_IC

OWNER\_

ISSUE\_DATE



# DESEN DIMENSIONAL

11/20/2021

Pagina 3 / 3

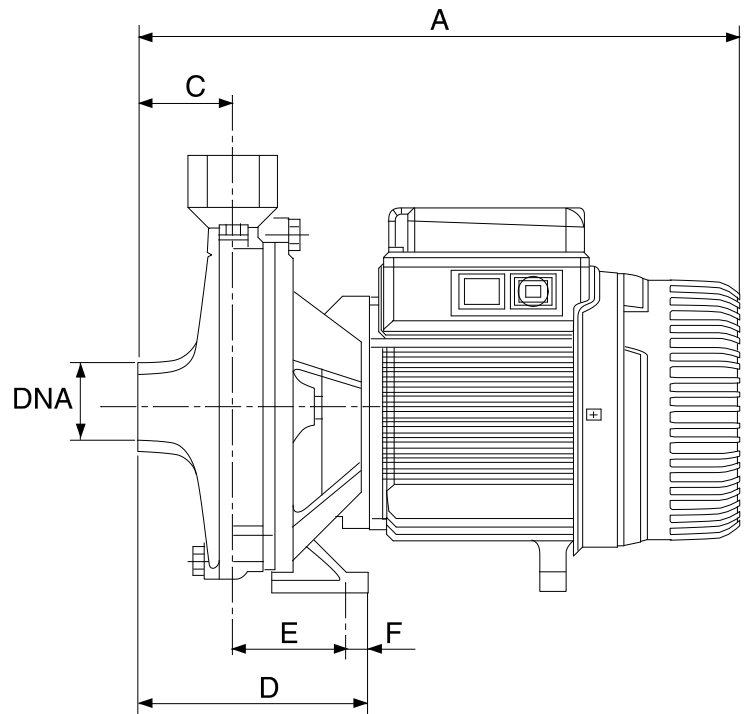
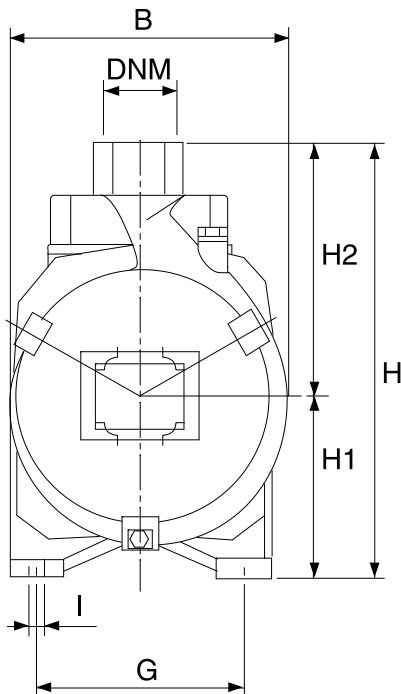
DAB PUMPS S.p.A.  
Via Marco Polo, 14 - 35035 Mestrino (PD), Italy  
Tel. +39 049 5125000 - Fax +39 049 5125950  
www.dabpumps.com

Destinatar

Expeditor

Firma  
Referinta  
Adresa  
Phone  
Fax  
E-mail

## K 12/200 T IE3



Dimensiuni in mm

Racorduri pompa:

1	A	325	I	9.5			
2	B	173					
3	C	45					Aspiratie
4	D	118					1" 1/2 G-M
5	DNA	1"1/2 G-M					6 bar (600 kPa)
6	DNM	1"1/2 G-M					
7	E	58					Refulare
8	F	15					1" 1/2 G-M
9	G	110					6 bar (600 kPa)
10	H	218					
11	H1	85					
12	H2	125					

MAIN\_PROJECT\_TITLE

BUSINESS\_PROCESS\_ID

OWNER

ISSUE\_DATE