

Destinatar

 Firma
 Referinta
 Adresa
 Phone
 Fax
 E-mail

Expeditor
Cod articol :

102972280

Articol:

EUROINOX 40/50 M-P

Date pompa

 Presiune nominala: 8 bar (800 kPa)
 Temperatura min. fluid 0 °C
 Temperatura max. fluid 35 °C
 Temperatura max. ambienta 40 °C

Date de functionare cerute

 Debit :
 Inaltime de pompare :
 Fluid pompat : Apă
 Temperatura fluid: 20 °C
 Densitate 998.3 kg/m³
 Viscositate cinematica: 1.005 mm²/s
 Presiune de vapori: 2.34 kPa

Date disponibile:

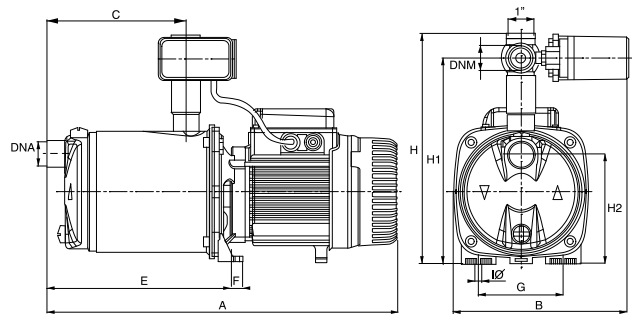
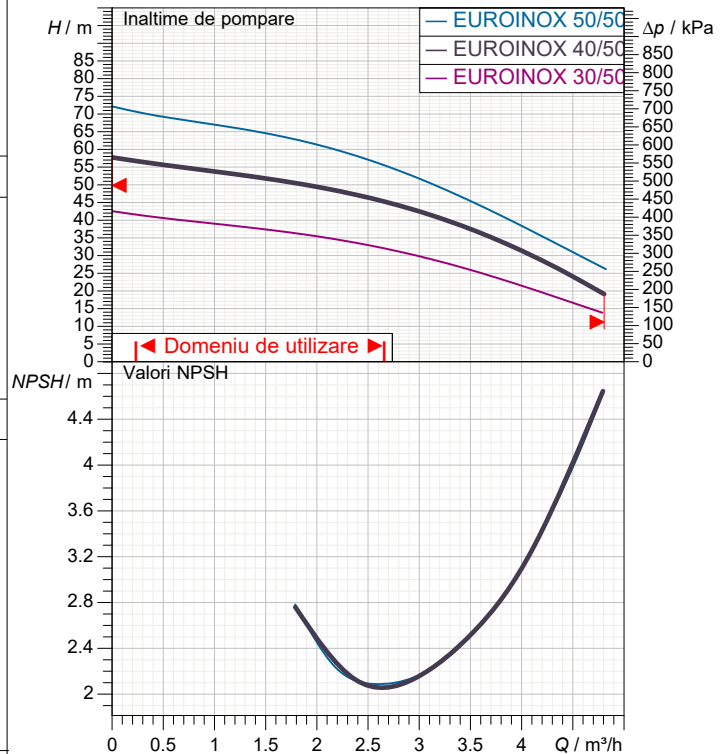
 Debit :
 Inaltime de pompare :

Materiale

 Corp pompa AISI 304 X5 Cr Ni 1810 UNI 6900/71
 Rotor Tecopolimer
 Arbore cu rotor AISI 304 X5 Cr Ni 1810 UNI 6900/71
 Garnitura OR NBR
 Difuzor Tecopolimer
 Etansare mecanica Carbon/Ceramica
 Capac suport etansare AISI 304 X5 Cr Ni 1810 UNI 6900/71

Date motor

 Marca : DAB
 Putere nominala P2: 0.75 kW
 Viteza nominala: 2800 1/min
 Tensiune nominala : 1~ 230 V 50 Hz
 Curent nominal : 5.2 A
 Grad de protectie: IP 44

Curve tolerance according to ISO 9906

Masa 15.8 kg

Dimensiuni de gabarit mm

A	458	DNM	1" NPT	H	300		
B	226	E	241	H1	268		
C	166	F	13.5	H2	143		
DNA	1" NPT	G	111	I Ø	9		

Racorduri pompa:

 Partea cu aspiratia: 1" G / 8 bar (800 kPa)
 Partea cu refularea: 1" G / 8 bar (800 kPa)



CURBELOR CARACTERISTICE

12/04/2021

Pagina 2 / 3

DAB PUMPS S.p.A.
Via Marco Polo, 14 - 35035 Mestrino (PD), Italy
Tel. +39 049 5125000 - Fax +39 049 5125950
www.dabpumps.com

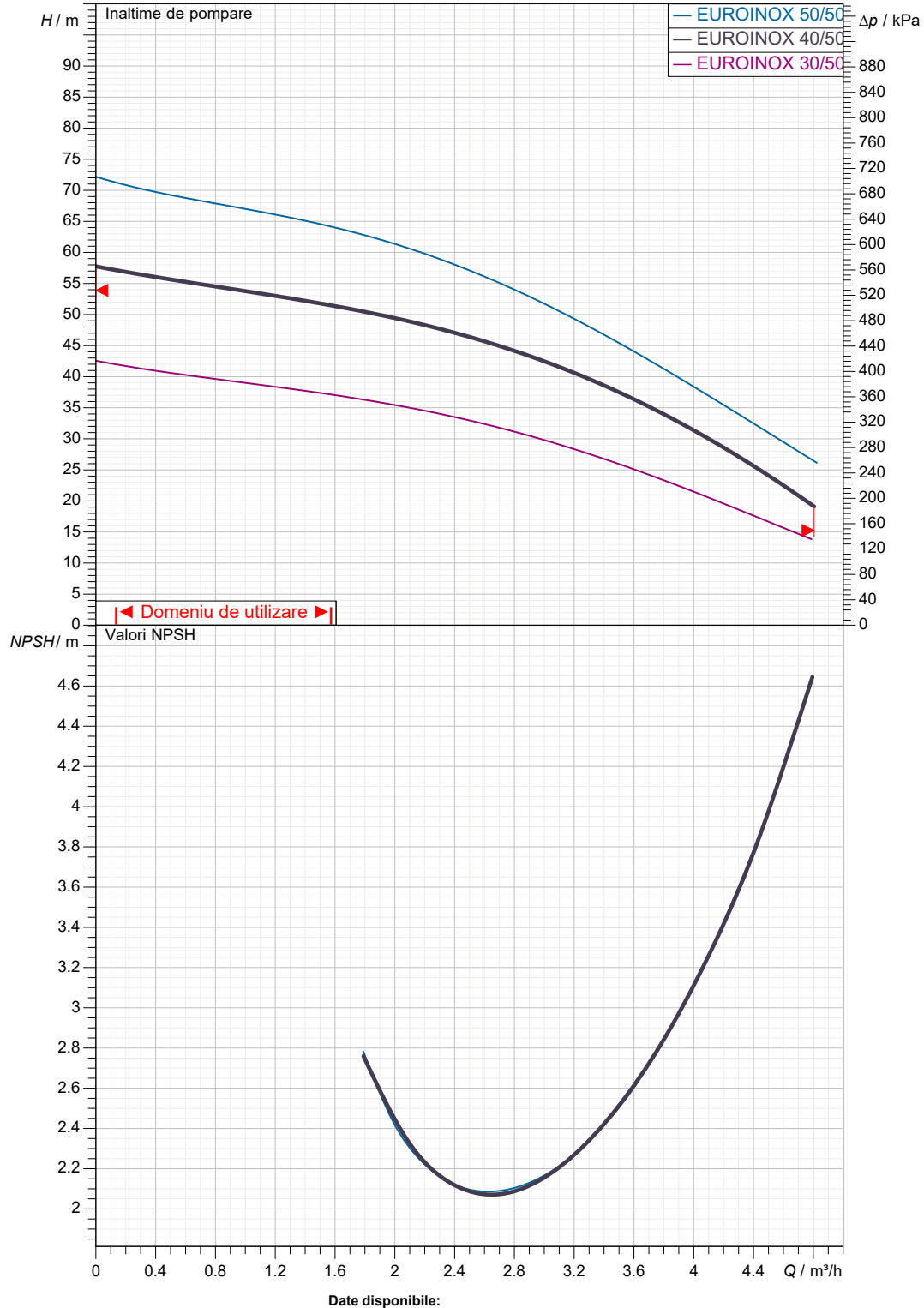
Destinatar

Expeditor

Firma
Referinta
Adresa
Phone
Fax
E-mail

EUROINOX 40/50 M-P

Curve tolerance according to ISO 9906



Partea cu aspiratia:
1" G
8 bar (800 kPa)

Partea cu refularea:
1" G
8 bar (800 kPa)

Debit :

Înaltime de pompare :

Viteza nominala:
2800 1/min

MAIN_PROJECT_TITLE

BUSINESS_PROCESS_ID

OWNER_

ISSUE_DATE



DESEN DIMENSIONAL

12/04/2021

Pagina 3 / 3

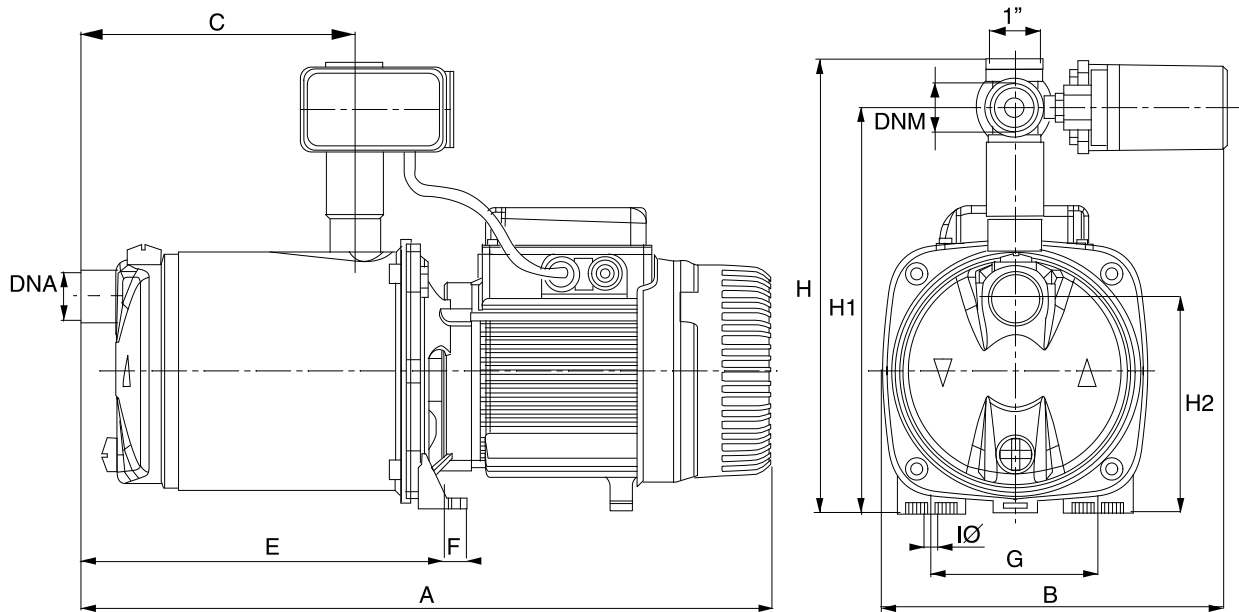
DAB PUMPS S.p.A.
Via Marco Polo, 14 - 35035 Mestrino (PD), Italy
Tel. +39 049 5125000 - Fax +39 049 5125950
www.dabpumps.com

Destinatar

Expeditor

Firma
Referinta
Adresa
Phone
Fax
E-mail

EUROINOX 40/50 M-P



Dimensiuni in mm

1	A	458
2	B	226
3	C	166
4	DNA	1" NPT
5	DNM	1" NPT
6	E	241
7	F	13.5
8	G	111
9	H	300
10	H1	268
11	H2	143
12	IØ	9

Racorduri pompa:

Aspiratie
1" G
8 bar (800 kPa)

Refulare
1" G
8 bar (800 kPa)

MAIN_PROJECT_TITLE

BUSINESS_PROCESS_ID

OWNER

ISSUE_DATE