

Destinatar

Firma
Referinta
Adresa
Phone
Fax
E-mail

Expeditor

Cod articol :

60167424

Articol:

KDNE 32-200.1/207/A/BAQE/1/7.5/2 T MCE110/P IE3

Date pompa

Diametru rotor: 207 mm
Coupling : Standard

MEI \geq 0,40

Presiune nominala: PN 16
Temperatura min. fluid: -10 °C
Temperatura max. fluid: 140 °C
Temperatura max. ambianta: 40 °C

Date de functionare cerute

Debit :
Înaltime de pompare :
Fluid pompat (%) :
Temperatura fluid: 20 °C
Densitate: 998.3 kg/m³
Vascozitate cinematica: 1.005 mm²/s
Presiune de vapori: 2.34 kPa

Date disponibile:

Debit :
Înaltime de pompare :

Materiale

Corp pompa: Fonta 200 UNI ISO 185
Rotor: Fonta 200 UNI ISO 185
Arbore pompa: AISI 420 - UNI 6900/71
Garnitura OR: Viton
Disc suport etansare: Fonta 200 UNI ISO 185
Etansare mecanica: SEE "SHAFT SEAL" SECTION
Distanțier de etansare: AISI 304 - UNI 6900/71

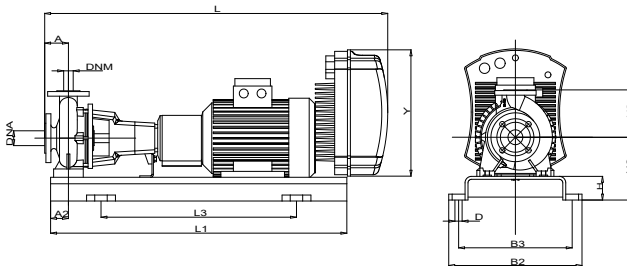
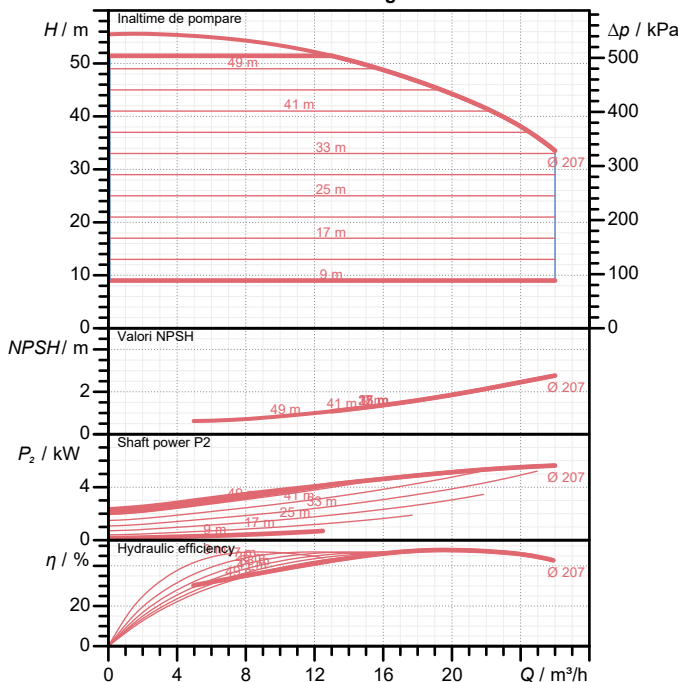
Etansare mecanica

Type: Cauciuc
Stationary part: Carbura de siliciu
Rotating part: Carbon
Elastomer: EPDM

Date motor

Putere nominala P2: 7.5 kW
Viteza nominala: 2900 1/min
Tensiune nominala : 3~ 400 V 50 Hz
Curent de intrare: 17.6 A
Grad de protectie motor: IP 55

Curve tolerance according to ISO 9906



Masa: 179 kg

Dimensiuni de gabarit mm

A	80	H2	180
A2	60	H3	240
B2	450	L	-
B3	400	L1	1000
D	24	L3	660
DNA	50	Y	426
DNM	32		
H	80		

Racorduri pompa:

Partea cu aspiratia: DN 50 / PN 16
Partea cu refularea: DN 32 / PN 16



CURBELOR CARACTERISTICE

08/12/202

Pagina 2 / 3

DAB PUMPS S.p.A.
Via Marco Polo, 14 - 35035 Mestrino (PD), Italy
Tel. +39 049 5125000 - Fax +39 049 5125950
www.dabpumps.com

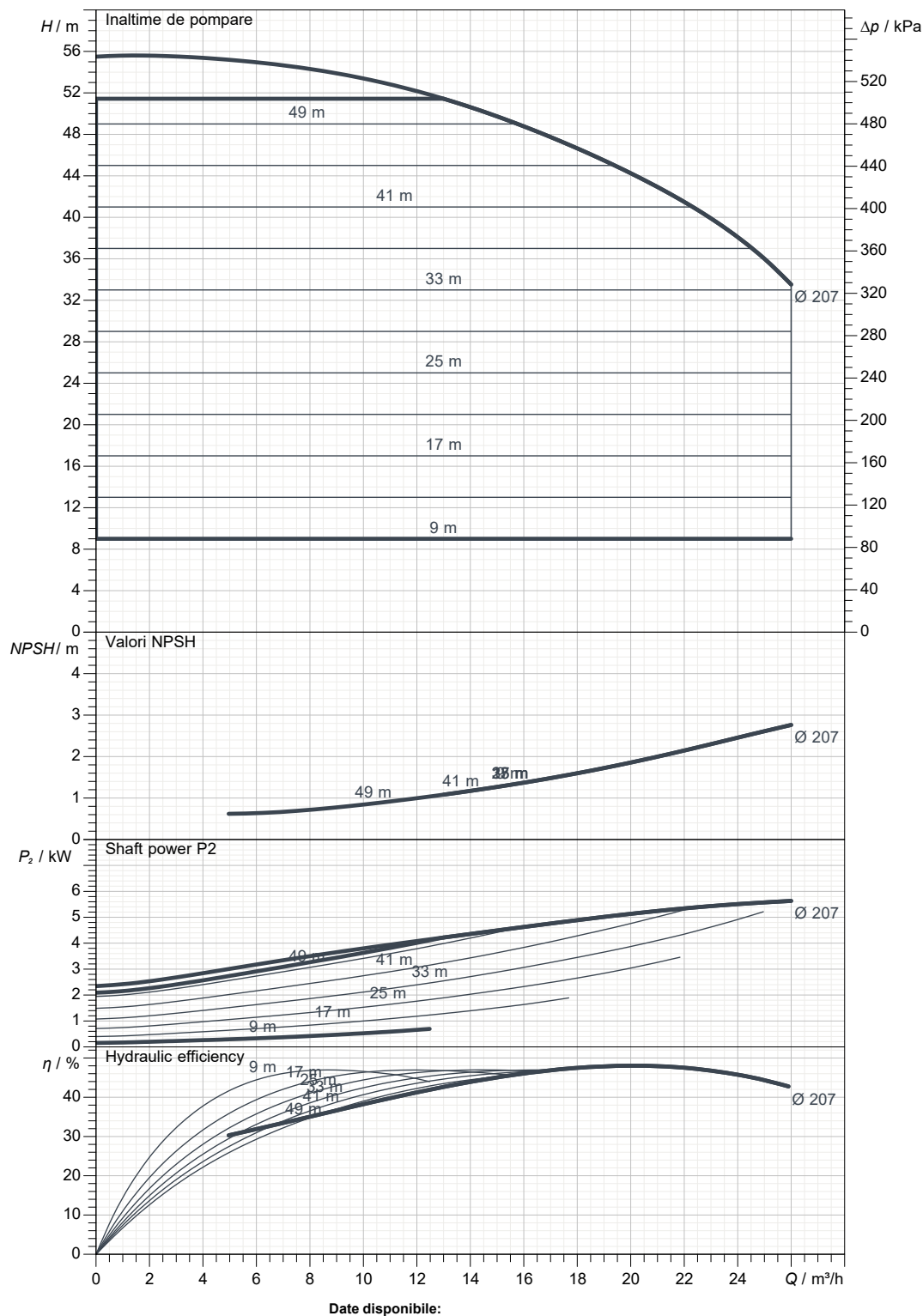
Destinatar

Expedito

Firma
Referinta
Adresa
Phone
Fax
E-mail

KDNE 32-200.1/207/A/BAQE/1/7.5/2 T MCE110/P IE3

Curve tolerance according to ISO 9906



Partea cu aspiratia:
DN 50
PN 16

Partea cu refularea:
DN 32
PN 16

Debit :

Înaltime de pompare :

Viteza nominala:
2900 1/min

MAIN_PROJECT_TITLE

BUSINESS_PROCESS_ID

OWNER_

ISSUE_DATE



DESEN DIMENSIONAL

08/12/202

Pagina 3 / 3

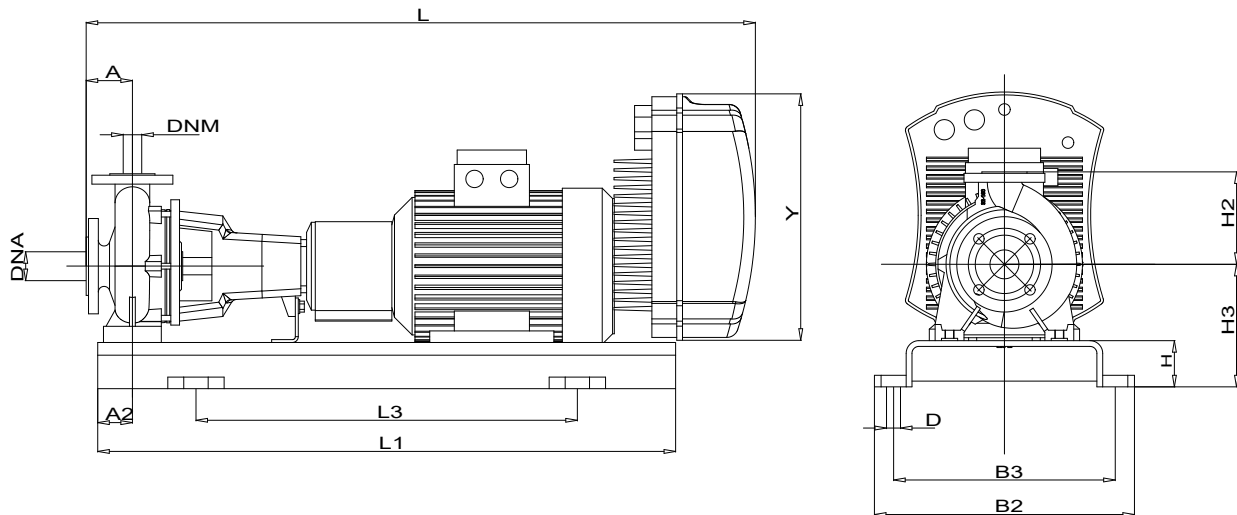
DAB PUMPS S.p.A.
Via Marco Polo, 14 - 35035 Mestrino (PD), Italy
Tel. +39 049 5125000 - Fax +39 049 5125950
www.dabpumps.com

Destinatar

Expeditor

Firma
Referinta
Adresa
Phone
Fax
E-mail

KDNE 32-200.1/207/A/BAQE/1/7.5/2 T MCE110/P IE3



Dimensiuni in mm

Racorduri pompa:

1	A	80	L3	660			
2	A2	60	Y	426			Aspiratie
3	B2	450					DN 50
4	B3	400					PN 16
5	D	24					
6	DNA	50					
7	DNM	32					Refulare
8	H	80					DN 32
9	H2	180					PN 16
10	H3	240					
11	L	-					
12	L1	1000					

MAIN_PROJECT_TITLE

BUSINESS_PROCESS_ID

OWNER

ISSUE_DATE