

Receiver

From

Company
Reference
Address
Phone
Fax
E-mail

Item n° : Customer pos. no.:
60153036
Model :
EVOPLUS D 100/450.100 M PN16

Pump data

Pressure rating : 232,05 psi
Min. fluid temperature : -10 °C
Max. fluid temperature : 110 °C
EEI : ≤ 0,20

Minimum suction head :

Temperature °C 90 - 100
Minimum suction head : m 20 - 25

Requested data

Flow :
Head :
Fluid (%) :
Fluid Temperature : 20 °C
Density : 998,3 kg/m³
Kinematic viscosity : 1,005 mm²/s
Vapor pressure : 0,34 psi

Hydraulic data (duty point)

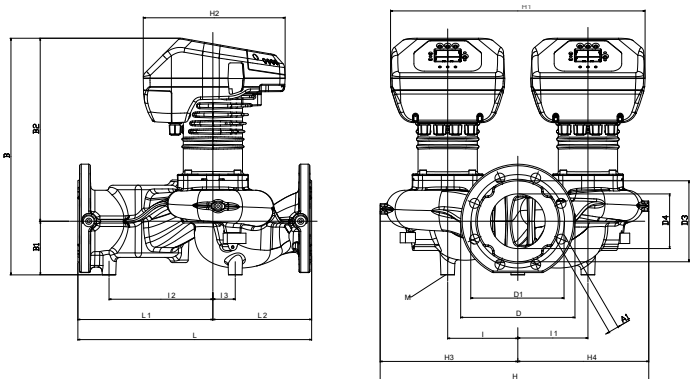
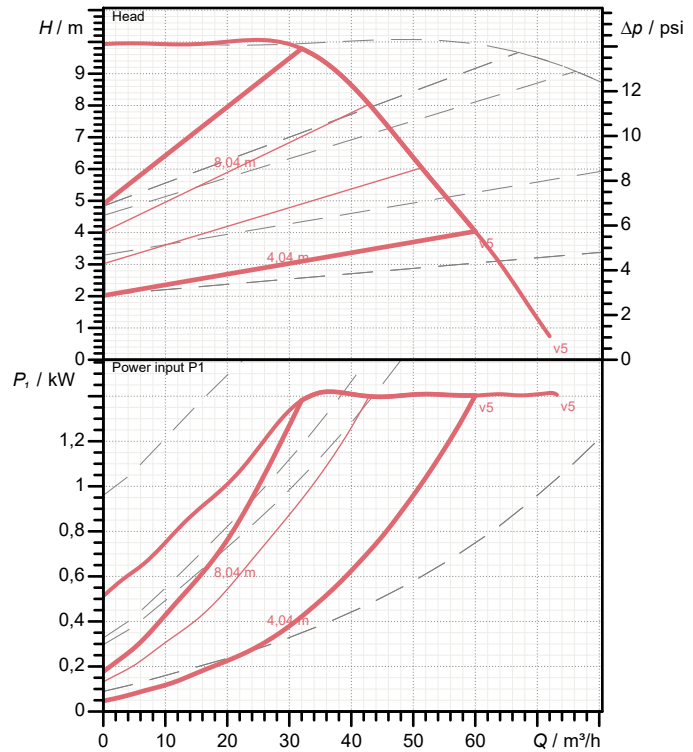
Flow :
Head :

Materials

Pump body Cast iron 250 UNI ISO 185 - CTF
Impeller Technopolymer
Motor shaft Stainless steel
Seal ring EPDM
Motor casing Die cast aluminium
Closing flange Stainless steel
Thrust ring support Stainless steel

Curve tolerance according to ISO 9906

Number of working motors : 1



Motor data

Motor brand : DAB
Power input P1 : 1 X 1,38 kW
Rated voltage : 1~ 220-240 V 50 Hz
Nominal current : 1 X 6 A
Degree of protection : IP 44

Dimensions in mm

A1	19	D3	156	H4	252	L1	260
B	456	D4	105	I	135	L2	190
B1	103	H	517	I1	135	M	M12
B2	353	H1	490	I2	200		
D	220	H2	273	I3	43		
D1	180	H3	265	L	450		

Weight : 67,8 kg

Pump connection

Suction side : DN 100 / PN 16
Discharge side : DN 100 / PN 16



PERFORMANCE CURVES

2023-07-11

Page 2 / 3

DAB PUMPS S.p.A.
Via Marco Polo, 14 - 35035 Mestrino (PD), Italy
Tel. +39 049 5125000 - Fax +39 049 5125950
www.dabpumps.com

Receiver

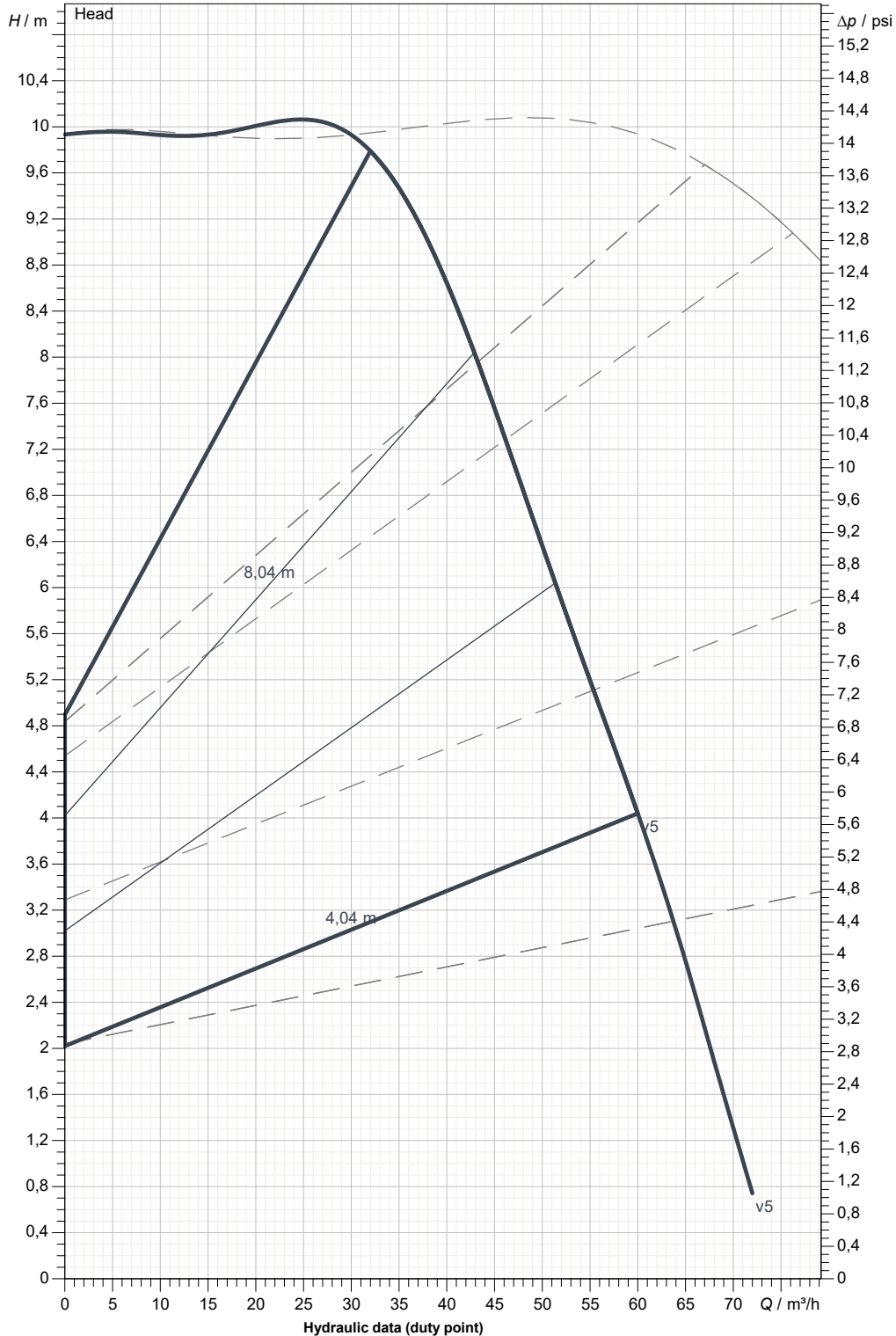
From

Company
Reference
Address
Phone
Fax
E-mail

EVOPLUS D 100/450.100 M PN16

Number of working motors : 1

Curve tolerance according to ISO 9906



Suction side :
DN 100
PN 16

Discharge side :
DN 100
PN 16

Flow :

Head :

Rated speed :
2.900 1/min

MAIN_PROJECT_TITLE

BUSINESS_PROCESS_ID

OWNER_

ISSUE_DATE

2023-07-11



DIMENSIONAL DRAWING

2023-07-11

Page 3 / 3

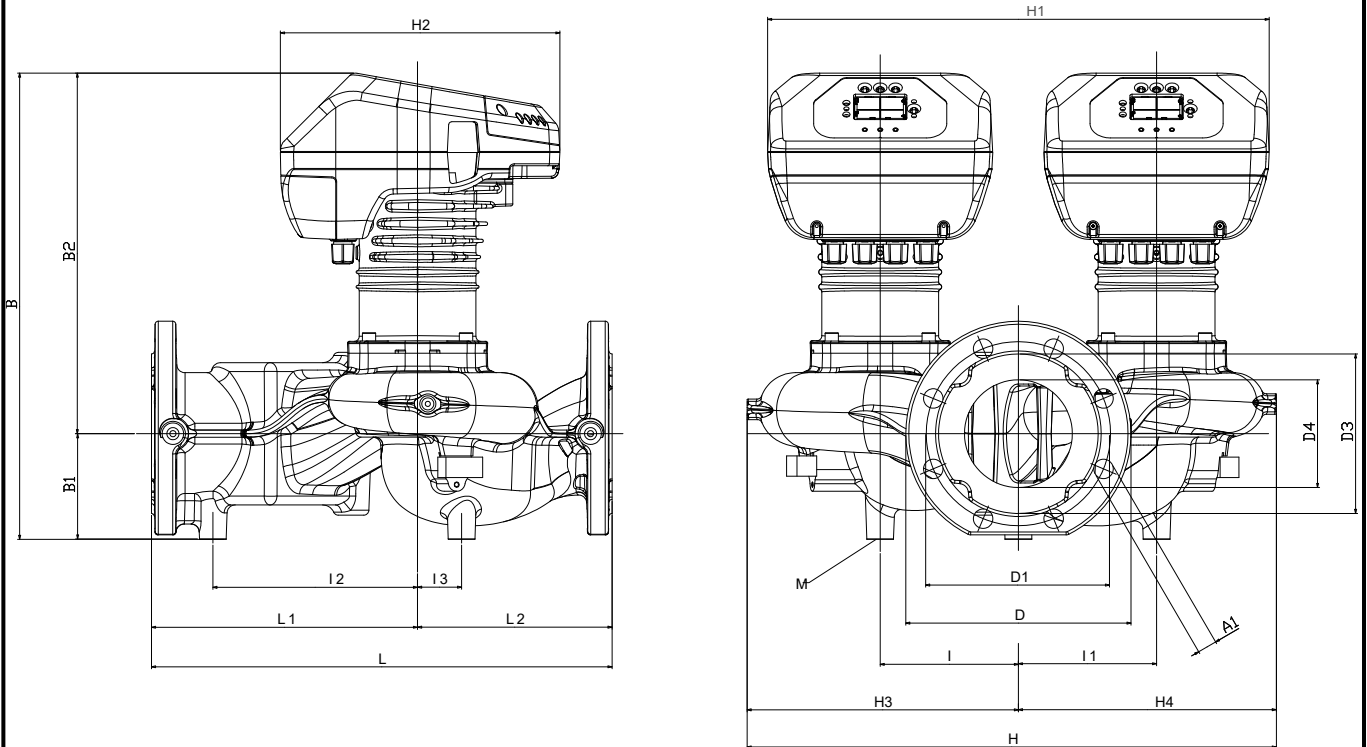
DAB PUMPS S.p.A.
Via Marco Polo, 14 - 35035 Mestrino (PD), Italy
Tel. +39 049 5125000 - Fax +39 049 5125950
www.dabpumps.com

Receiver

From

Company
Reference
Address
Phone
Fax
E-mail

EVOPLUS D 100/450.100 M PN16



Dimensions in mm					Pump connection	
1	A1	19	H3	265		
2	B	456	H4	252		Suction
3	B1	103	I	135		DN 100
4	B2	353	I1	135		PN 16
5	D	220	I2	200		
6	D1	180	I3	43		
7	D3	156	L	450		Discharge
8	D4	105	L1	260		DN 100
9	H	517	L2	190		PN 16
10	H1	490	M	M12		
11	H2	273				

MAIN_PROJECT_TITLE	BUSINESS_PROCESS_ID	OWNER	ISSUE_DATE 2023-07-11
--------------------	---------------------	-------	---------------------------------