

**Destinatar**

 Firma  
 Referinta  
 Adresa  
 Phone  
 Fax  
 E-mail

**Expeditor**
**Cod articol :**

60153019

**Articol:**

EVOPLUS B 80/360.80 M PN16

**Date pompa**

 Presiune nominala: 1600 kPa  
 Temperatura min. fluid -10 °C  
 Temperatura max. fluid 110 °C  
 EEI : ≤ 0,20

**Presiune minima la nivelul apei:**

Temperatura : °C 90 100

Presiune minima la nivelul apei: m 20 25

**Date de functionare cerute**

 Debit :  
 Inaltime de pompare :  
 Fluid pompat (%) :  
 Temperatura fluid: 20 °C  
 Densitate 998.3 kg/m<sup>3</sup>  
 Vascozitate cinematica: 1.005 mm<sup>2</sup>/s  
 Presiune de vapori: 2.34 kPa

**Date disponibile:**

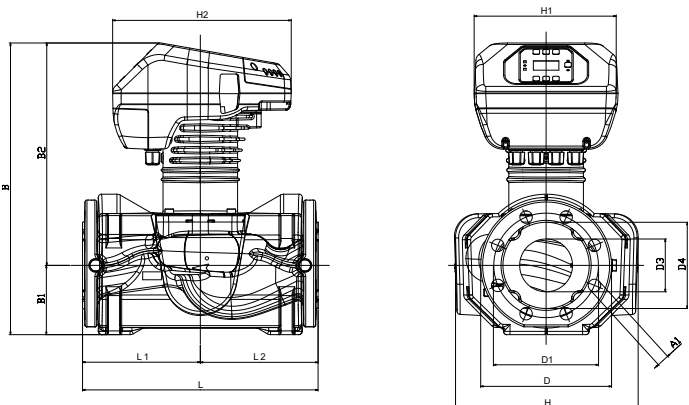
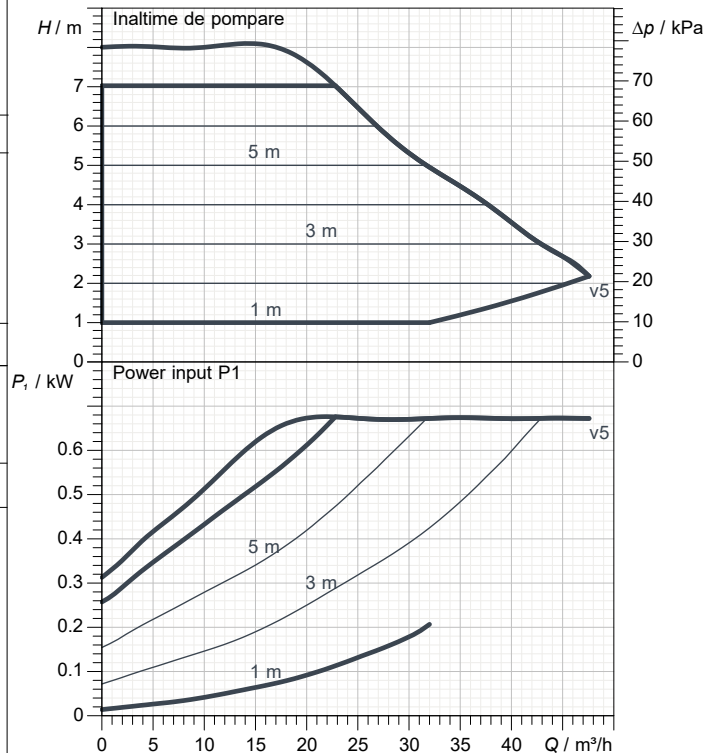
 Debit :  
 Inaltime de pompare :

**Materiale**

 Corp pompa Cast iron 250 UNI ISO 185 - CTF  
 Rotor Tecnopolimer  
 Arbore motor Otel inox  
 Inel de etansare EPDM  
 Carcasa motorului Aluminu turnat la cald  
 Flansa de inchidere Otel inox  
 Suport inel de echilibrare Otel inox

**Date motor**

 Marca : DAB  
 Putere absorbita P1 0.67 kW  
 Tensiune nominala : 1~ 220-240 V 50 Hz  
 Curent nominal : 3 A  
 Grad de protectie: IP 44

**Curve tolerance according to ISO 9906**

**Dimensiuni de gabarit mm**

A1	19	D3	132	L1	180		
B	446	D4	80	L2	180		
B1	106	H	279				
B2	340	H1	220				
D	200	H2	273				
D1	160	L	360				

**Masa** 32 kg

**Racorduri pompa:**

 Partea cu aspiratia: DN 80 / PN 16  
 Partea cu refularea: DN 80 / PN 16

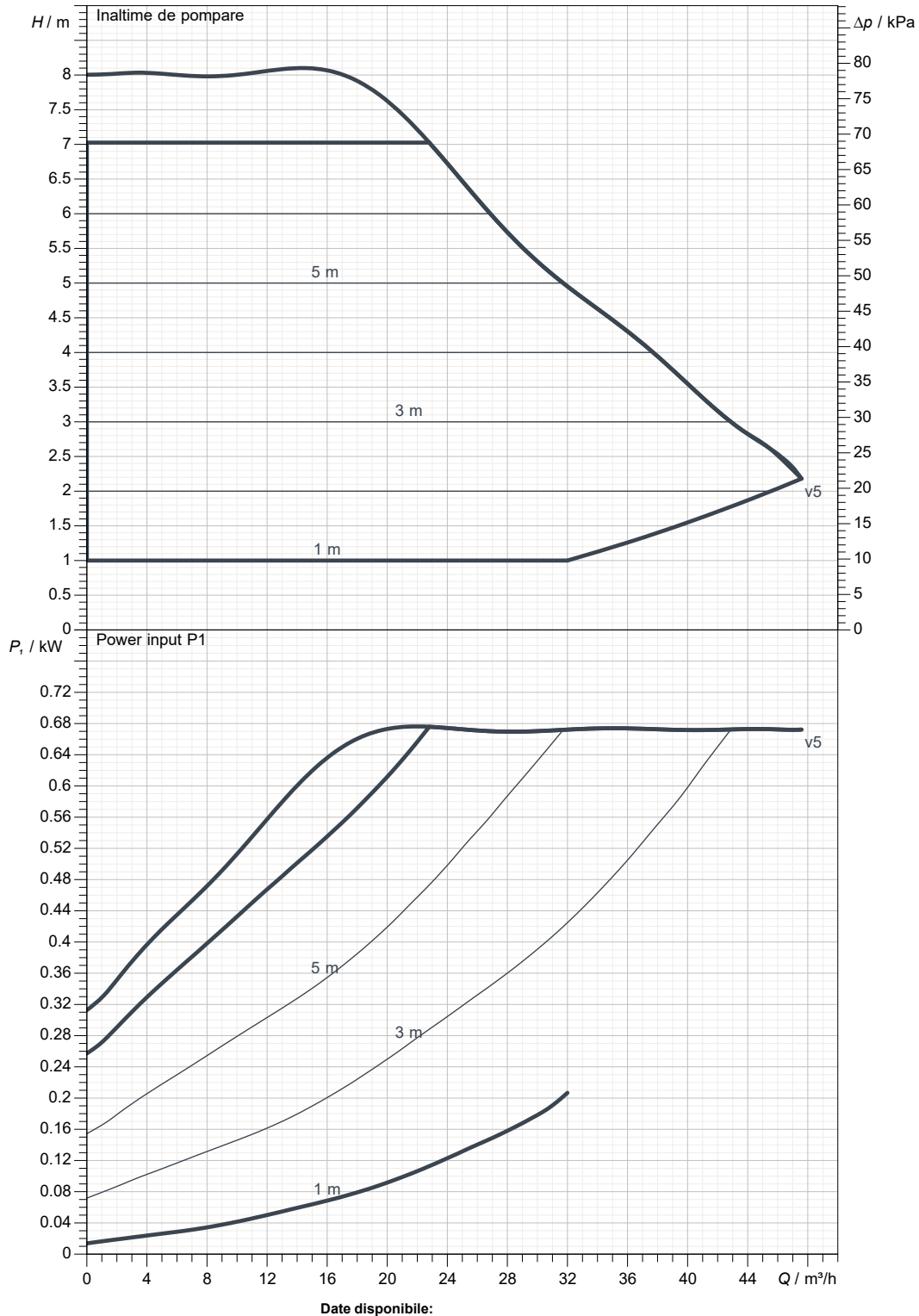
Destinatar

Expeditor

 Firma  
 Referinta  
 Adresa  
 Phone  
 Fax  
 E-mail

**EVOPLUS B 80/360.80 M PN16**

Curve tolerance according to ISO 9906


 Partea cu aspiratia:  
 DN 80  
 PN 16

 Partea cu refularea:  
 DN 80  
 PN 16

Debit :

Înaltime de pompare :

 Viteza nominala:  
 2900 1/min

MAIN\_PROJECT\_TITLE

BUSINESS\_PROCESS\_ID

OWNER\_

ISSUE\_DATE



# DESEN DIMENSIONAL

12/30/2021

Pagina 3 / 3

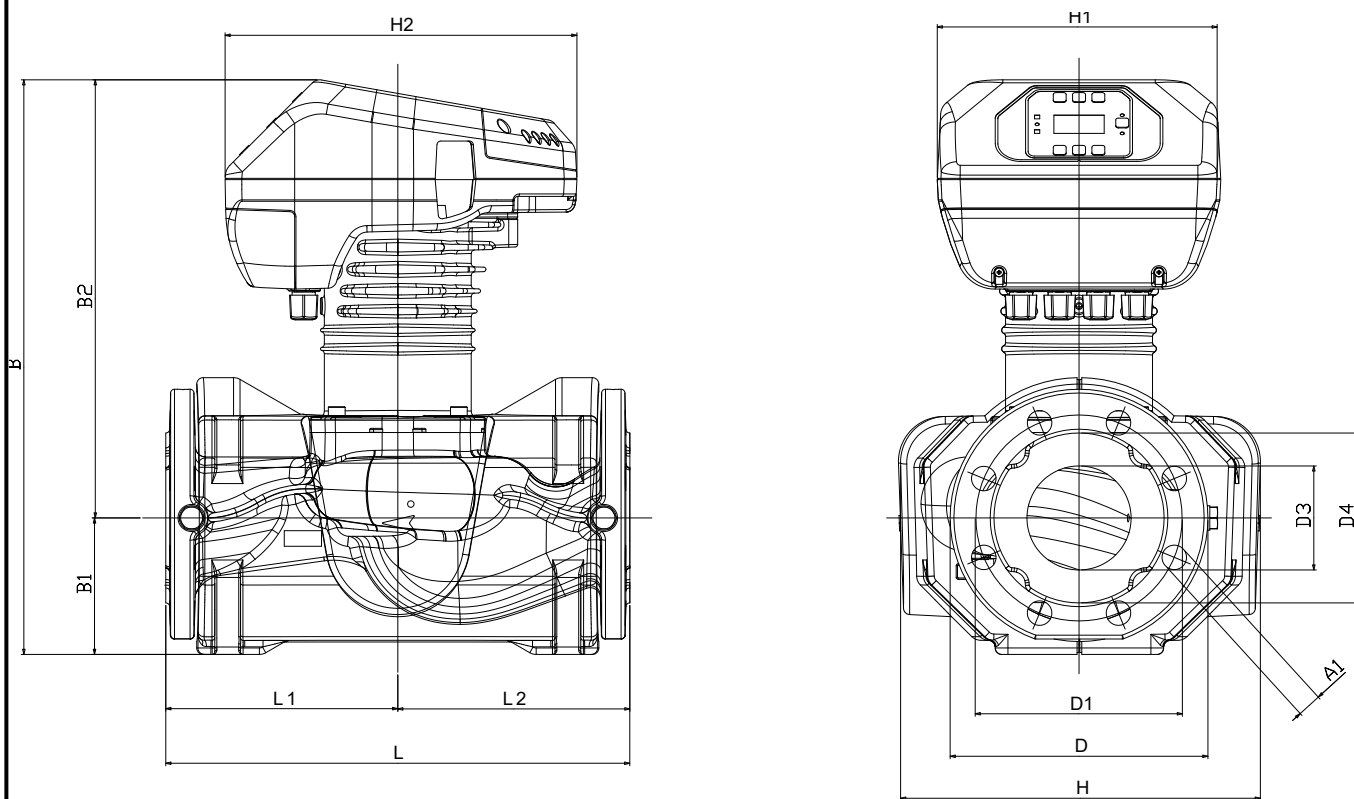
DAB PUMPS S.p.A.  
Via Marco Polo, 14 - 35035 Mestrino (PD), Italy  
Tel. +39 049 5125000 - Fax +39 049 5125950  
www.dabpumps.com

Destinatar

Expeditor

Firma  
Referinta  
Adresa  
Phone  
Fax  
E-mail

## EVOPLUS B 80/360.80 M PN16



**Dimensiuni in mm**

**Racorduri pompa:**

1	A1	19	L1	180			
2	B	446	L2	180			Aspiratie
3	B1	106					DN 80
4	B2	340					PN 16
5	D	200					
6	D1	160					
7	D3	132					
8	D4	80					Refulare
9	H	279					DN 80
10	H1	220					PN 16
11	H2	273					
12	L	360					

MAIN_PROJECT_TITLE	BUSINESS_PROCESS_ID	OWNER	ISSUE_DATE
--------------------	---------------------	-------	------------