

### Destinatar

Firma  
Referinta  
Adresa  
Phone  
Fax  
E-mail

### Expeditor

#### Cod articol :

102690860

#### Articol:

ACTIVE EI 25/80 M

#### Date pompa

Presiune nominala: 8 bar (800 kPa)  
Temperatura min. fluid 0 °C  
Temperatura max. fluid 35 °C  
Temperatura max. ambienta 40 °C

#### Date de functionare cerute

Debit :  
Inaltime de pompare :  
Fluid pompat : Apă  
Temperatura fluid: 20 °C  
Densitate 998.3 kg/m<sup>3</sup>  
Vascozitate cinematica: 1.005 mm<sup>2</sup>/s  
Presiune de vapori: 2.34 kPa

#### Date disponibile:

Debit :  
Inaltime de pompare :

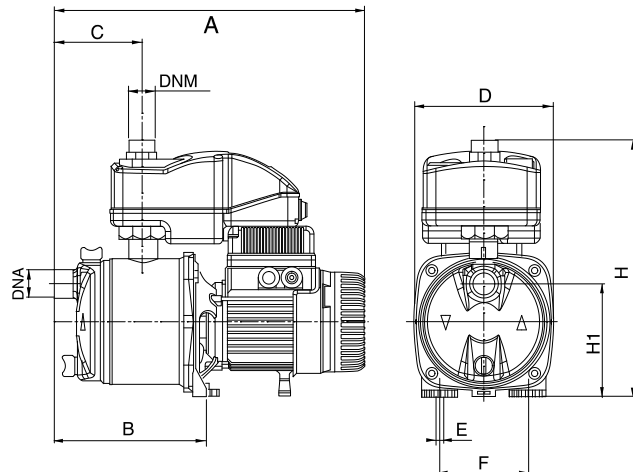
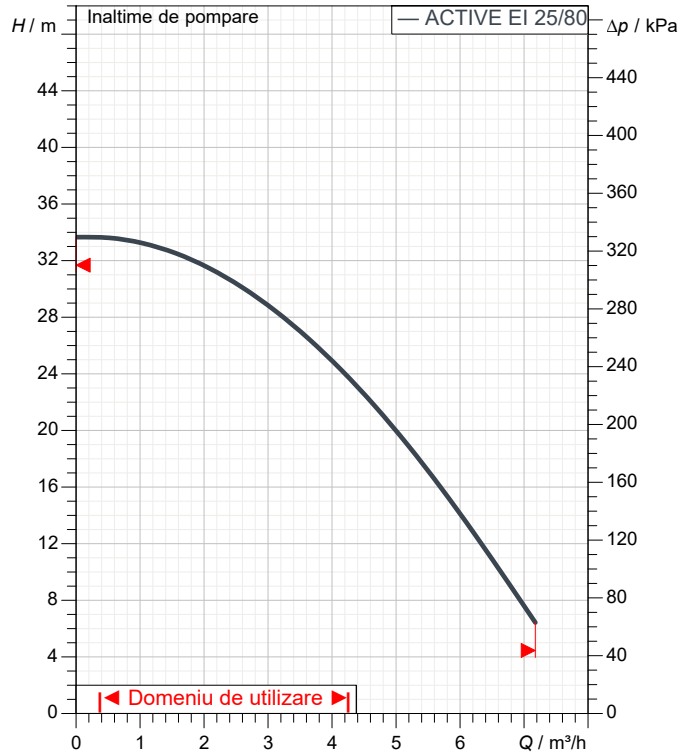
#### Materiale

Corp pompa AISI 304 X5 Cr Ni 1810 UNI 6900/71  
Rotor Tecopolimer  
Arbore cu rotor AISI 304 X5 Cr Ni 1810 UNI 6900/71  
Garnitura OR NBR  
Difuzor Tecopolimer  
Etansare mecanica Carbon/Ceramica  
Capac suport etansare AISI 304 X5 Cr Ni 1810 UNI 6900/71

#### Date motor

Marca : DAB  
Putere nominala P2: 0.55 kW  
Viteza nominala: 2800 1/min  
Tensiune nominala : 1~ 220-240 V 50 Hz  
Curent nominal : 3.9 A  
Grad de protectie: IP 44

#### Curve tolerance according to ISO 9906



Masa 9.5 kg

#### Dimensiuni de gabarit mm

Dimensiune	Valoare (mm)
A	390
B	192
C	112
D	174
DNA	1" G
DNM	1" G
E	9
F	111
H	322
H1	141

#### Racorduri pompa:

Partea cu aspiratia: 1" G / 8 bar (800 kPa)  
Partea cu refularea: 1" G / 8 bar (800 kPa)



# CURBELOR CARACTERISTICE

07/02/2021

Pagina 2 / 3

DAB PUMPS S.p.A.  
Via Marco Polo, 14 - 35035 Mestrino (PD), Italy  
Tel. +39 049 5125000 - Fax +39 049 5125950  
www.dabpumps.com

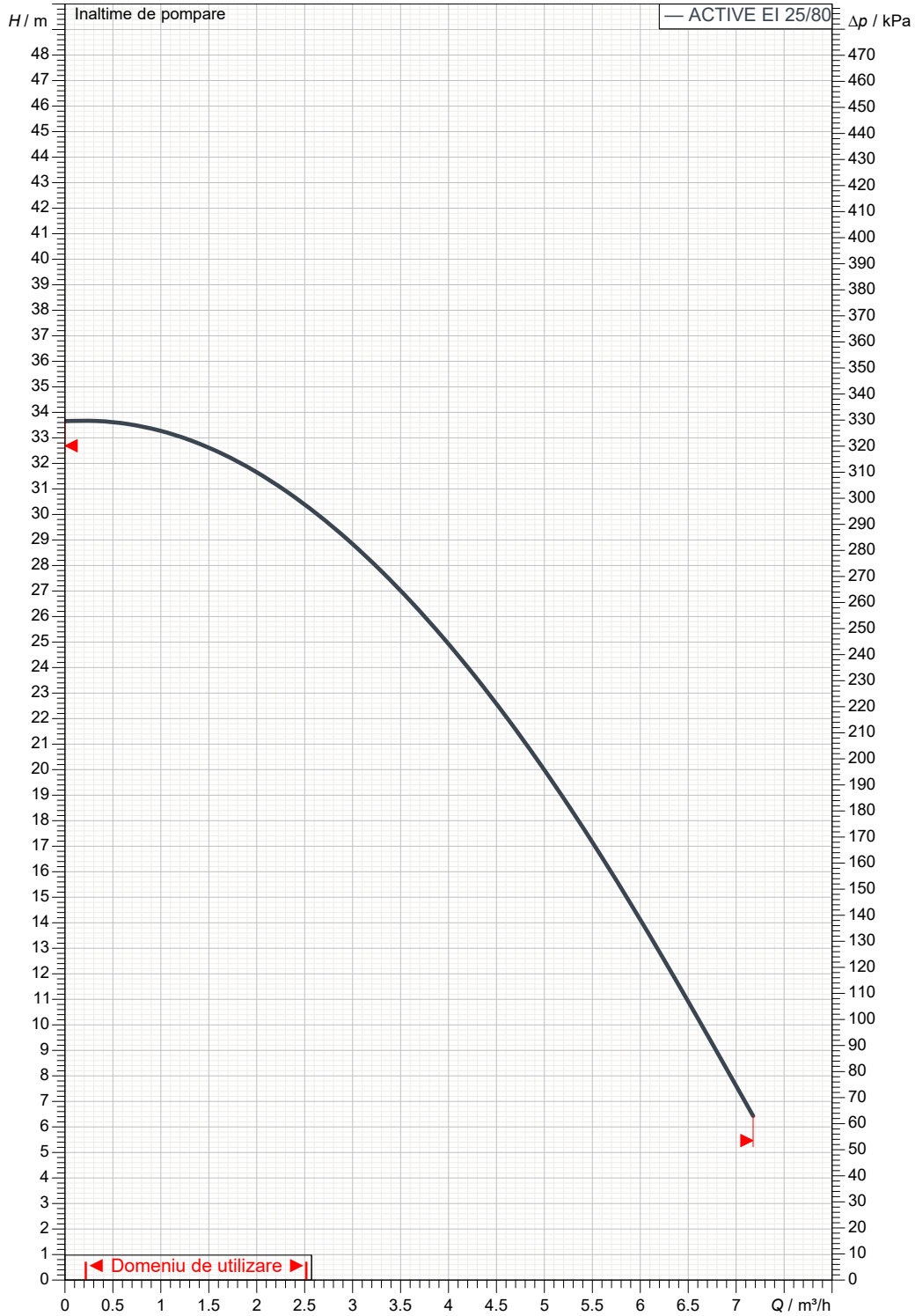
Destinatar

Expeditor

Firma  
Referinta  
Adresa  
Phone  
Fax  
E-mail

## ACTIVE EI 25/80 M

Curve tolerance according to ISO 9906



Date disponibile:

Partea cu aspiratia:  
1" G  
8 bar (800 kPa)

Partea cu refularea:  
1" G  
8 bar (800 kPa)

Debit :

Înaltime de pompare :

Viteza nominala:  
2800 1/min

MAIN\_PROJECT\_TITLE

BUSINESS\_PROCESS\_IC

OWNER\_

ISSUE\_DATE



# DESEN DIMENSIONAL

07/02/2021

Pagina 3 / 3

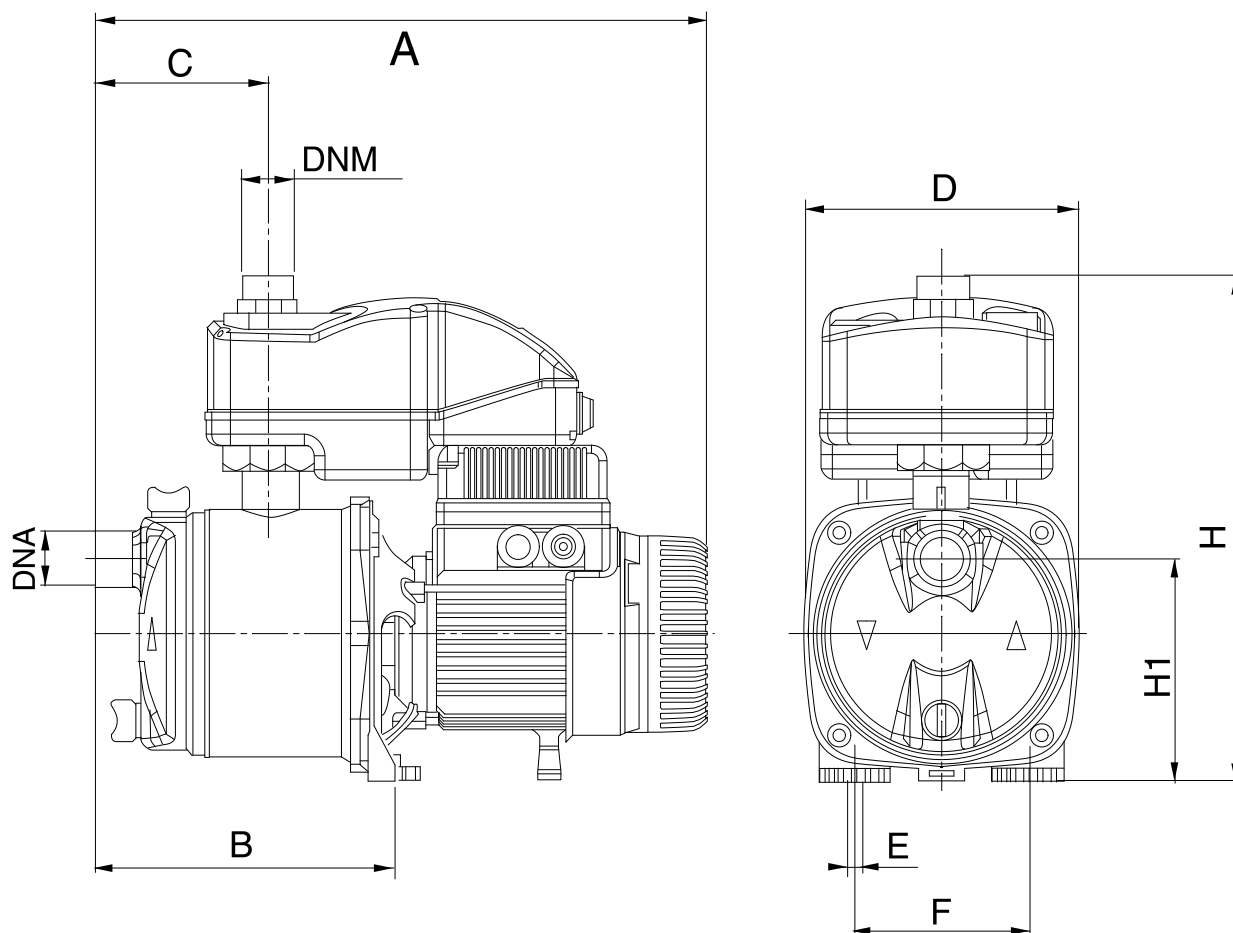
DAB PUMPS S.p.A.  
Via Marco Polo, 14 - 35035 Mestrino (PD), Italy  
Tel. +39 049 5125000 - Fax +39 049 5125950  
www.dabpumps.com

Destinatar

Expeditor

Firma  
Referinta  
Adresa  
Phone  
Fax  
E-mail

## ACTIVE EI 25/80 M



Dimensiuni in mm

1	A	390
2	B	192
3	C	112
4	D	174
5	DNA	1" G
6	DNM	1" G
7	E	9
8	F	111
9	H	322
10	H1	141
11		
12		

Racorduri pompa:

Aspiratie  
1" G  
8 bar (800 kPa)

Refulare  
1" G  
8 bar (800 kPa)

MAIN\_PROJECT\_TITLE

BUSINESS\_PROCESS\_ID

OWNER

ISSUE\_DATE