

Destinatar

 Firma
 Referinta
 Adresa
 Phone
 Fax
 E-mail

Expeditor
Cod articol :

60121345

Articol:

AQUAJET 82 M-G

Date pompa

 Presiune nominala: 8 bar (800 kPa)
 Temperatura min. fluid 0 °C
 Temperatura max. fluid 35 °C
 Temperatura max. ambienta 40 °C

Capacitate de amorsare:

H m	2	3	4	5	6	7	8	9
Q m ³ /h	3.06	2.76	2.46	2.28	1.92	1.74	1.32	1.02

Date de functionare cerute

 Debit :
 Inaltime de pompare :
 Fluid pompat : Apă
 Temperatura fluid: 20 °C
 Densitate 998.3 kg/m³
 Viscositate cinematica: 1.005 mm²/s
 Presiune de vapori: 2.34 kPa

Date disponibile:

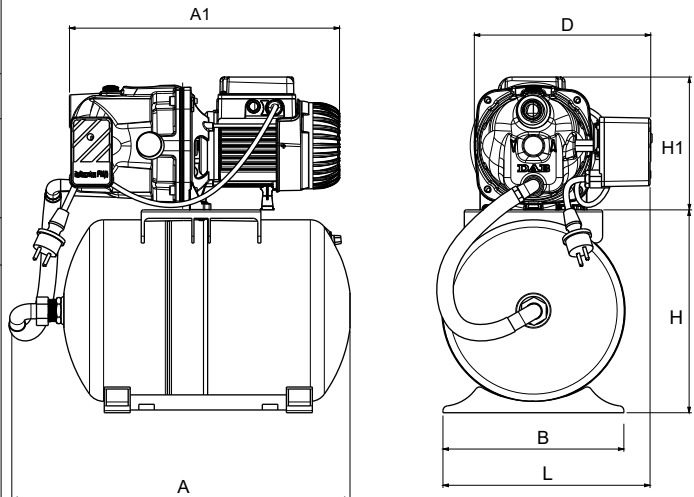
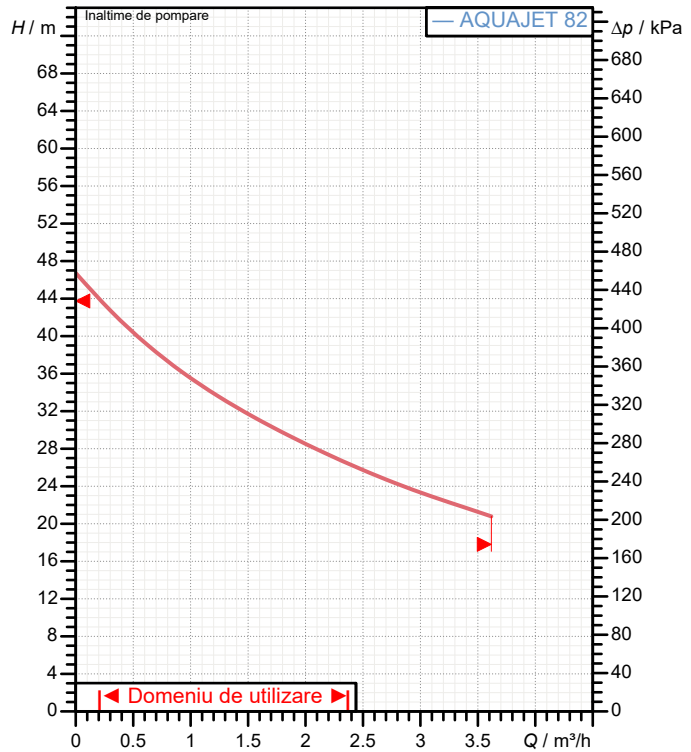
 Debit :
 Inaltime de pompare :

Materiale

 Corp pompa Fonta 200 UNI ISO 185
 Suport Aluminiu turnat la cald
 Rotor Tecopolimer A
 Etansare mecanica Carbon/Ceramica
 Garnitura OR Cauciuc NBR
 Arbore cu rotor AISI 416 X12 CrS 13 UNI 6900/71
 Grup duza difuzor venturi Tecopolimer A

Date motor

 Marca : DAB
 Putere nominala P2: 0.6 kW
 Viteza nominala: 2750 1/min
 Tensiune nominala : 1~ 220-240 V 50 Hz
 Curent nominal : 3.8 A
 Grad de protectie: IP 44

Curve tolerance according to ISO 9906

Dimensiuni de gabarit mm

A	492	DNA	1"G	L	301		
A1	393	DNM	1"G				
B	263	H	296				
D	256	H1	194				

Masa 17.8 kg

Racorduri pompa:

 Partea cu aspiratia: 1" G / 8 bar (800 kPa)
 Partea cu refularea: 1" G / 8 bar (800 kPa)



CURBELOR CARACTERISTICE

12/30/2021

Pagina 2 / 3

DAB PUMPS S.p.A.
Via Marco Polo, 14 - 35035 Mestrino (PD), Italy
Tel. +39 049 5125000 - Fax +39 049 5125950
www.dabpumps.com

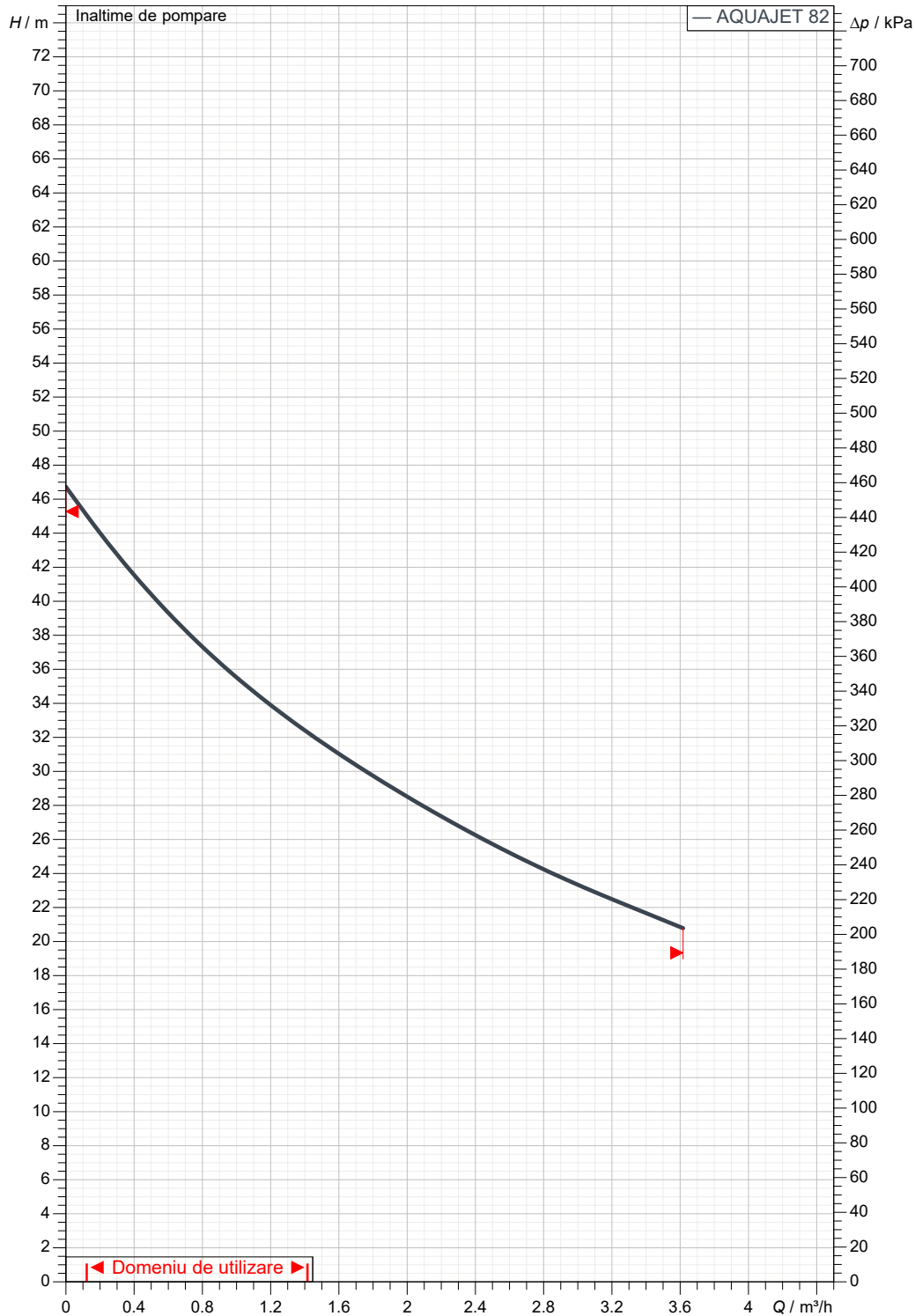
Destinatar

Expedito

Firma
Referinta
Adresa
Phone
Fax
E-mail

AQUAJET 82 M-G

Curve tolerance according to ISO 9906



Date disponibile:

Partea cu aspiratia:
1" G
8 bar (800 kPa)

Partea cu refularea:
1" G
8 bar (800 kPa)

Debit :

Înaltime de pompare :

Viteza nominala:
2750 1/min

MAIN_PROJECT_TITLE

BUSINESS_PROCESS_ID

OWNER_

ISSUE_DATE



DESEN DIMENSIONAL

12/30/2021

Pagina 3 / 3

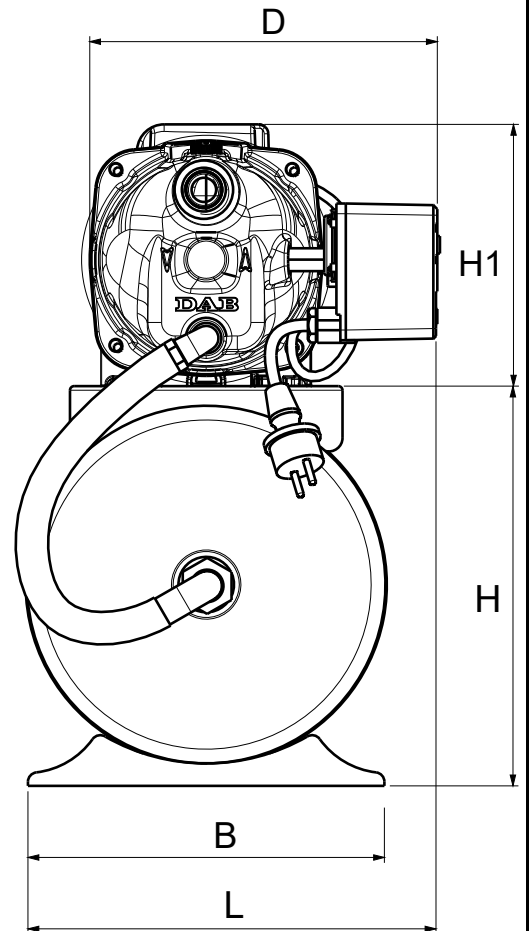
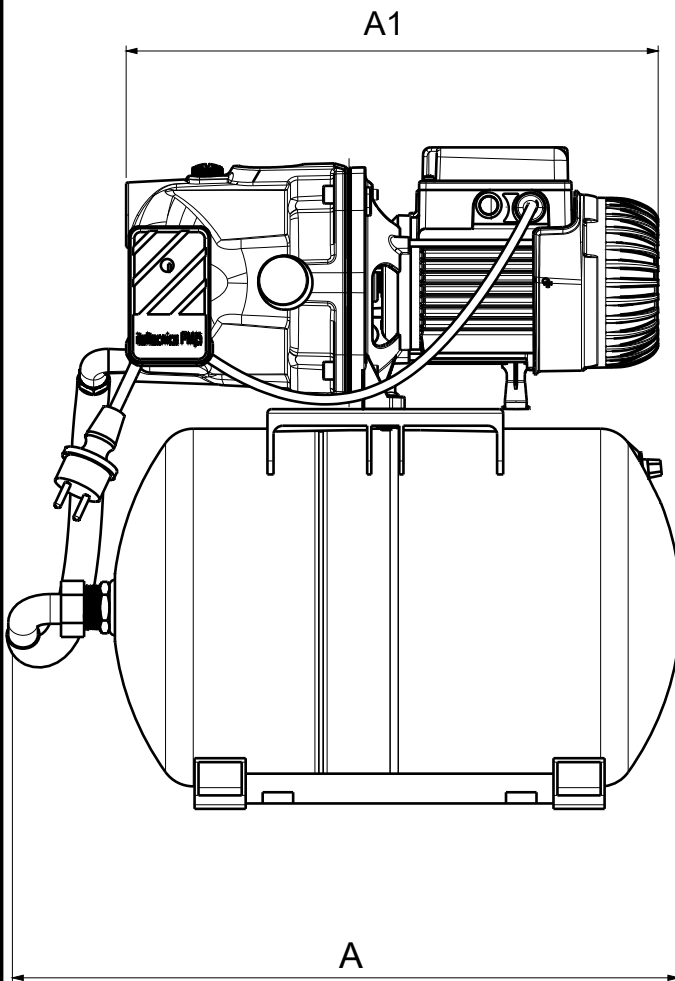
DAB PUMPS S.p.A.
Via Marco Polo, 14 - 35035 Mestrino (PD), Italy
Tel. +39 049 5125000 - Fax +39 049 5125950
www.dabpumps.com

Destinatar

Expeditor

Firma
Referinta
Adresa
Phone
Fax
E-mail

AQUAJET 82 M-G



Dimensiuni in mm

1	A	492
2	A1	393
3	B	263
4	D	256
5	DNA	1" G
6	DNM	1" G
7	H	296
8	H1	194
9	L	301
10		
11		
12		

Racorduri pompa:

Aspiratie
1" G
8 bar (800 kPa)

Refulare
1" G
8 bar (800 kPa)

MAIN_PROJECT_TITLE

BUSINESS_PROCESS_ID

OWNER

ISSUE_DATE