

**Destinatar**

 Firma  
 Referinta  
 Adresa  
 Phone  
 Fax  
 E-mail

**Expeditor**
**Cod articol :**

60121344

**Articol:**

AQUAJET 102 M-G

**Date pompa**

 Presiune nominala: 8 bar (800 kPa)  
 Temperatura min. fluid 0 °C  
 Temperatura max. fluid 35 °C  
 Temperatura max. ambienta 40 °C

**Capacitate de amorsare:**

H m	2	3	4	5	6	7	8	9
Q m <sup>3</sup> /h	3.06	2.82	2.46	2.28	2.04	1.68	1.38	1.08

**Date de functionare cerute**

 Debit :  
 Inaltime de pompare :  
 Fluid pompat : Apă  
 Temperatura fluid: 20 °C  
 Densitate 998.3 kg/m<sup>3</sup>  
 Viscositate cinematica: 1.005 mm<sup>2</sup>/s  
 Presiune de vapori: 2.34 kPa

**Date disponibile:**

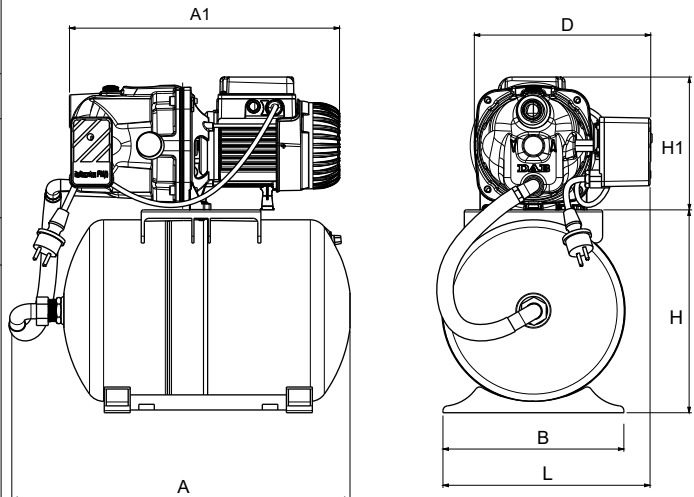
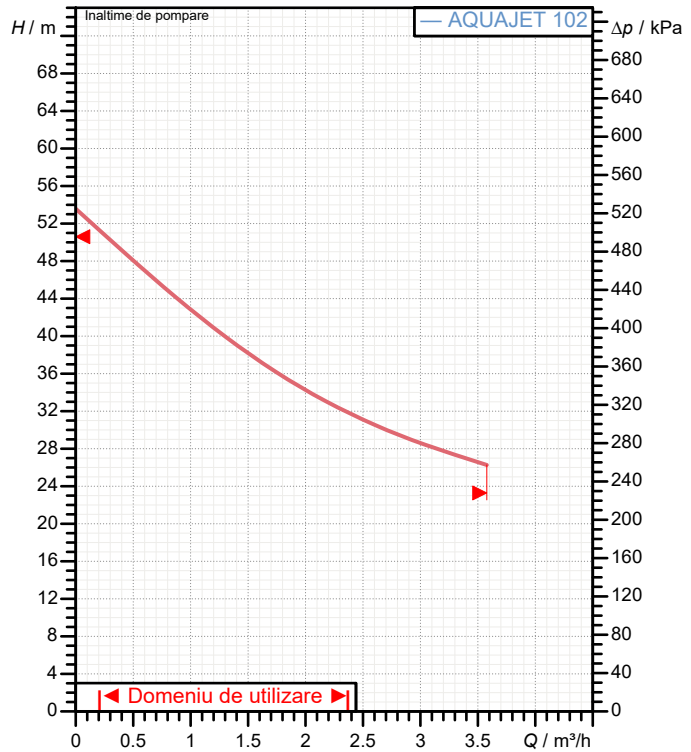
 Debit :  
 Inaltime de pompare :

**Materiale**

 Corp pompa Fonta 200 UNI ISO 185  
 Suport Aluminiu turnat la cald  
 Rotor Tecopolimer A  
 Etansare mecanica Carbon/Ceramica  
 Garnitura OR Cauciuc NBR  
 Arbore cu rotor AISI 416 X12 CrS 13 UNI 6900/71  
 Grup duza difuzor venturi Tecopolimer A

**Date motor**

 Marca : DAB  
 Putere nominala P2: 0.75 kW  
 Viteza nominala: 2800 1/min  
 Tensiune nominala : 1~ 220-240 V 50 Hz  
 Curent nominal : 5.1 A  
 Grad de protectie: IP 44

**Curve tolerance according to ISO 9906**

**Dimensiuni de gabarit mm**

A	492	DNA	1"G	L	301		
A1	413	DNM	1"G				
B	263	H	296				
D	256	H1	204				

**Masa** 19.8 kg

**Racorduri pompa:**

 Partea cu aspiratia: 1" G / 8 bar (800 kPa)  
 Partea cu refularea: 1" G / 8 bar (800 kPa)

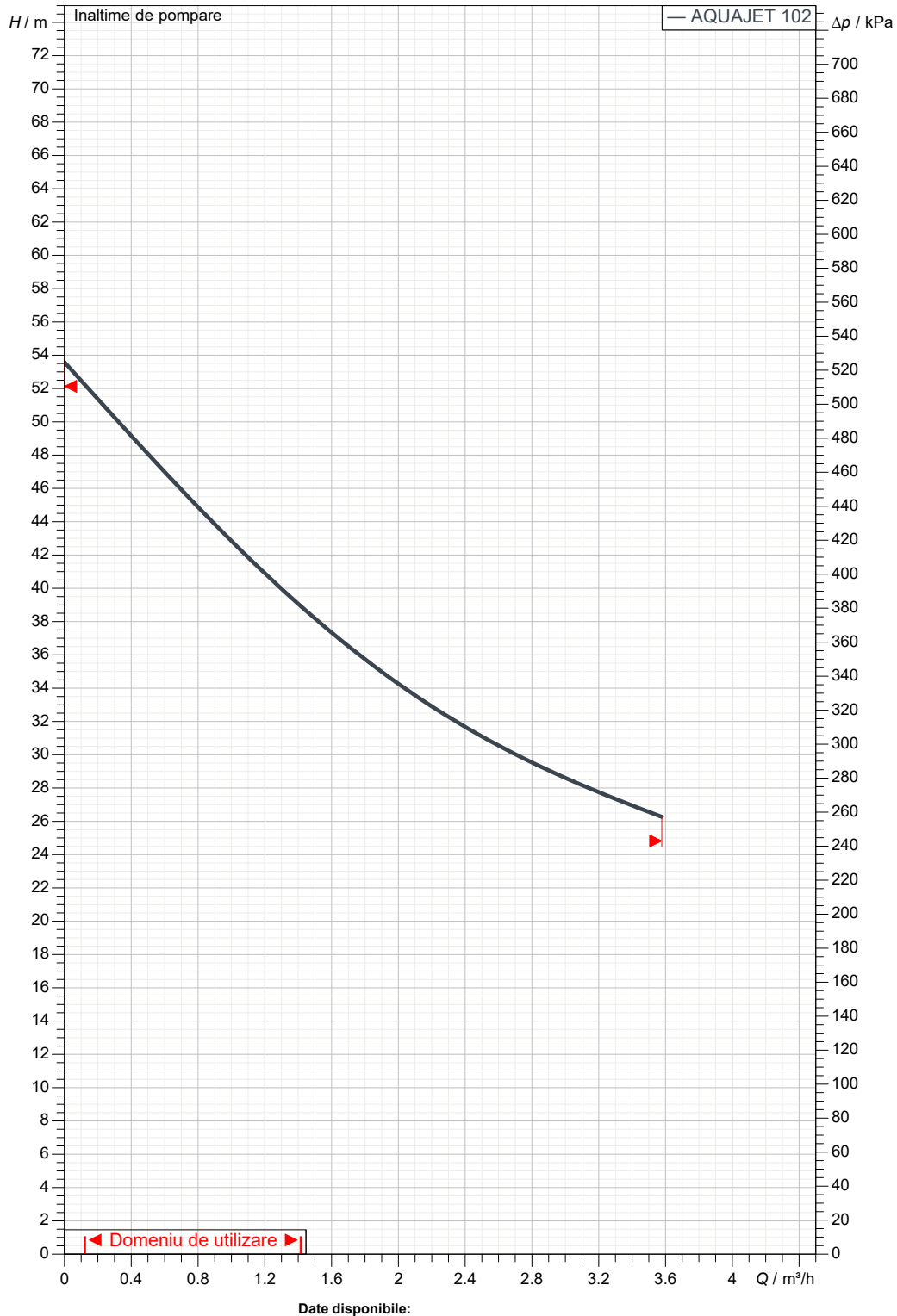
Destinatari

Expeditor

 Firma  
 Referinta  
 Adresa  
 Phone  
 Fax  
 E-mail

**AQUAJET 102 M-G**

Curve tolerance according to ISO 9906


 Partea cu aspiratia:  
 1" G  
 8 bar (800 kPa)

 Partea cu refularea:  
 1" G  
 8 bar (800 kPa)

Debit :

Înaltime de pompare :

 Viteza nominala:  
 2800 1/min

MAIN\_PROJECT\_TITLE

BUSINESS\_PROCESS\_ID

OWNER\_

ISSUE\_DATE



# DESEN DIMENSIONAL

12/30/2021

Pagina 3 / 3

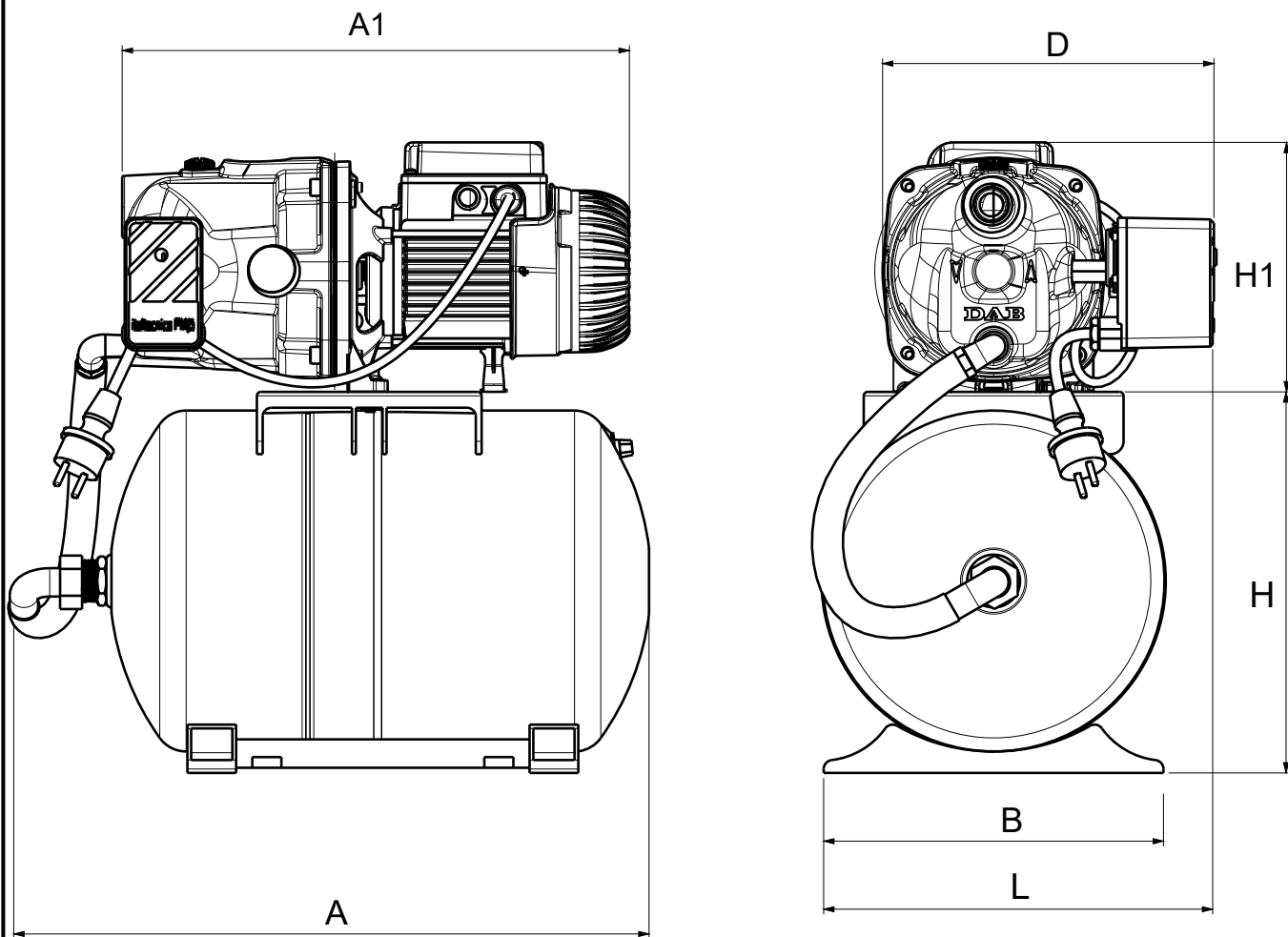
DAB PUMPS S.p.A.  
Via Marco Polo, 14 - 35035 Mestrino (PD), Italy  
Tel. +39 049 5125000 - Fax +39 049 5125950  
www.dabpumps.com

Destinatar

Expeditor

Firma  
Referinta  
Adresa  
Phone  
Fax  
E-mail

## AQUAJET 102 M-G



### Dimensiuni in mm

1	A	492
2	A1	413
3	B	263
4	D	256
5	DNA	1" G
6	DNM	1" G
7	H	296
8	H1	204
9	L	301
10		
11		
12		

### Racorduri pompa:

Aspiratie  
1" G  
8 bar (800 kPa)

Refulare  
1" G  
8 bar (800 kPa)

MAIN\_PROJECT\_TITLE

BUSINESS\_PROCESS\_ID

OWNER

ISSUE\_DATE