

Destinatar

Firma
Referinta
Adresa
Phone
Fax
E-mail

Expeditior

Cod articol :

60141883

Articol:

AQUAJET 132 M-G

Date pompa

Presiune nominala: 8 bar (800 kPa)
Temperatura min. fluid 0 °C
Temperatura max. fluid 35 °C
Temperatura max. ambienta 40 °C

Capacitate de amorsare:

H	m	2	3	4	5	6	7	8	9
Q	m³/h	4.68	4.32	4.02	3.66	3.24	2.76	2.28	1.86

Date de functionare cerute

Debit :
Inaltime de pompare :
Fluid pompat : Apă
Temperatura fluid: 20 °C
Densitate 998.3 kg/m³
Vasozitate cinematica: 1.005 mm²/s
Presiune de vapori: 2.34 kPa

Date disponibile:

Debit :
Inaltime de pompare :

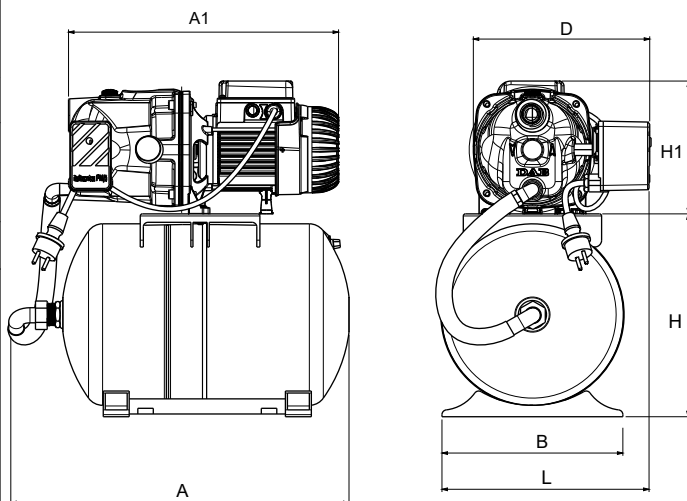
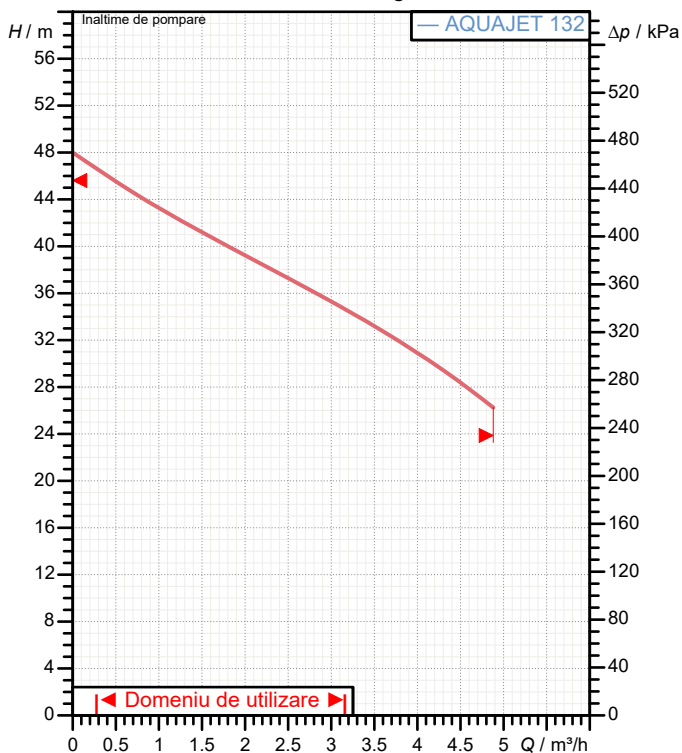
Materiale

Corp pompa Fonta 200 UNI ISO 185
Suport Aluminiu turnat la cald
Rotor Tecopolimer A
Etansare mecanica Carbon/Ceramica
Garnitura OR Cauciuc NBR
Arbore cu rotor AISI 416 X12 CrS 13 UNI 6900/71
Grup duza difuzor venturi Tecopolimer A

Date motor

Marca : DAB
Putere nominala P2: 1 kW
Viteza nominala: 2750 1/min
Tensiune nominala : 1~ 230 V 50 Hz
Curent nominal : 6.6 A
Grad de protectie: IP 44

Curve tolerance according to ISO 9906



Dimensiuni de gabarit mm

A	492	DNA	1"G	L	301		
A1	413	DNM	1"G				
B	263	H	296				
D	256	H1	204				

Masa 21.5 kg

Racorduri pompa:

Partea cu aspiratia: 1" G / 8 bar (800 kPa)
Partea cu refularea: 1" G / 8 bar (800 kPa)

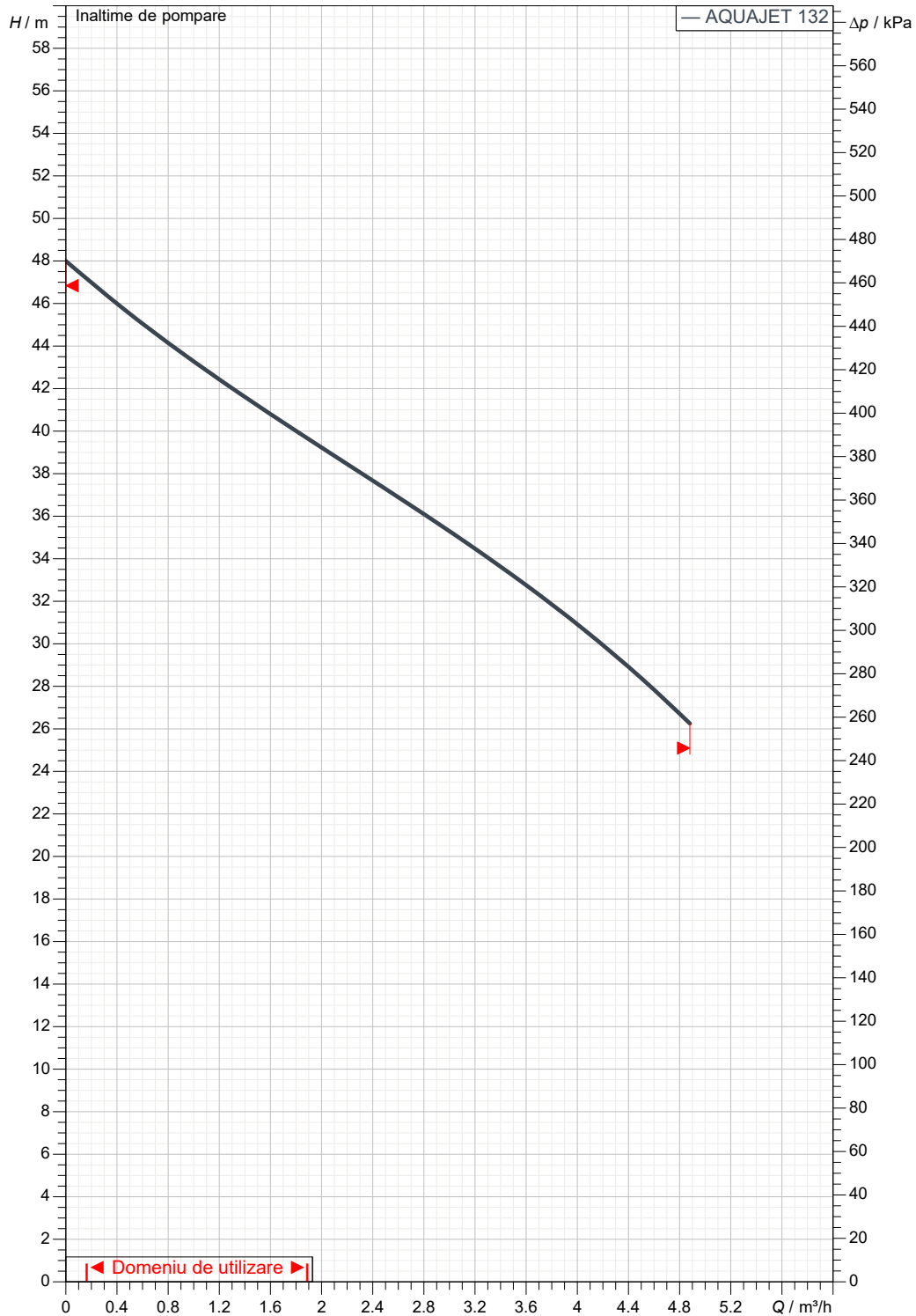
Destinatari

Expeditor

 Firma
 Referinta
 Adresa
 Phone
 Fax
 E-mail

AQUAJET 132 M-G

Curve tolerance according to ISO 9906



Date disponibile:

 Partea cu aspiratia:
 1" G
 8 bar (800 kPa)

 Partea cu refularea:
 1" G
 8 bar (800 kPa)

Debit :

Înaltime de pompare :

 Viteza nominala:
 2750 1/min

MAIN_PROJECT_TITLE

BUSINESS_PROCESS_ID

OWNER_

ISSUE_DATE



DESEN DIMENSIONAL

06/29/202

Pagina 3 / 3

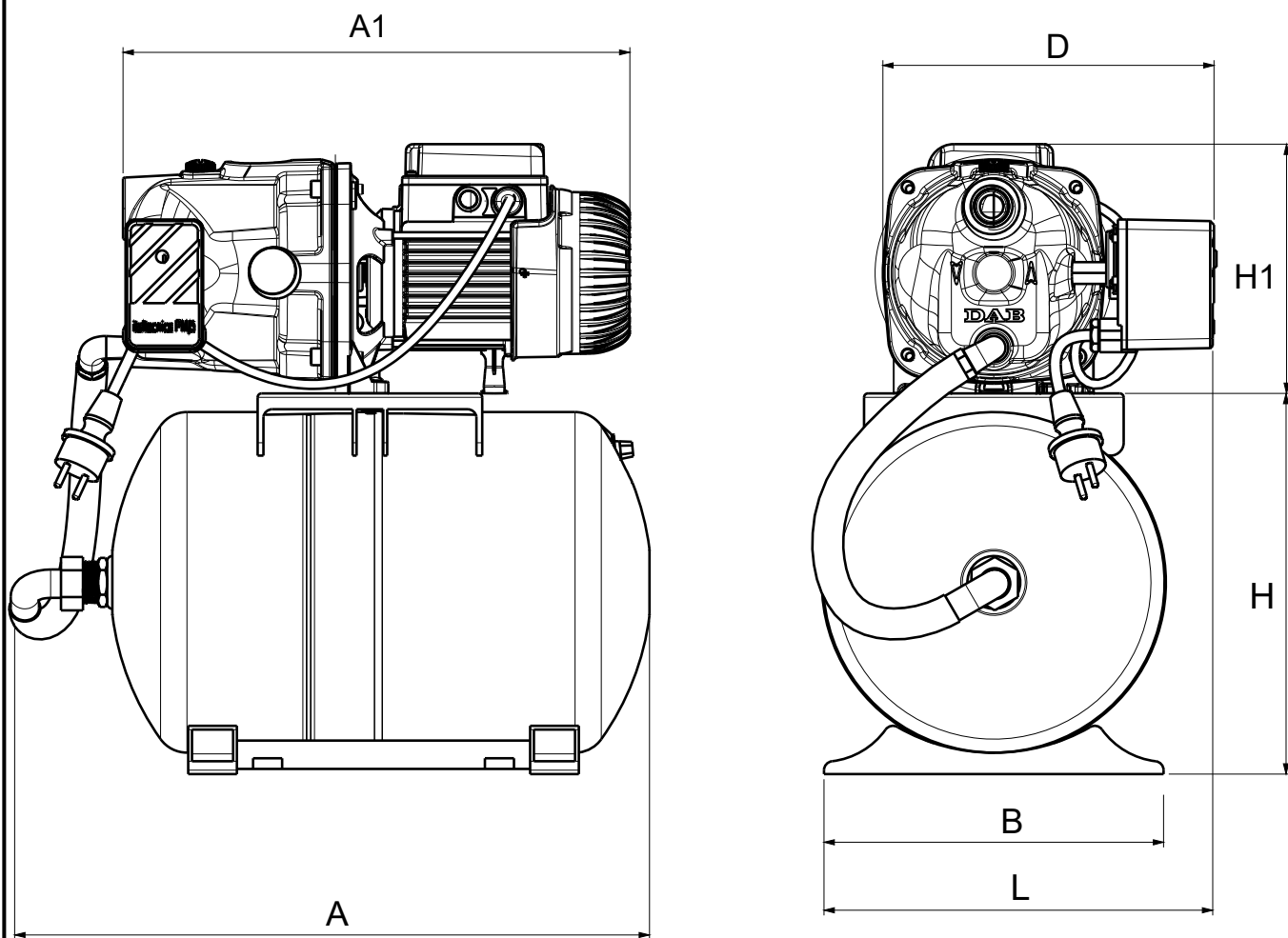
DAB PUMPS S.p.A.
Via Marco Polo, 14 - 35035 Mestrino (PD), Italy
Tel. +39 049 5125000 - Fax +39 049 5125950
www.dabpumps.com

Destinatar

Expeditor

Firma
Referinta
Adresa
Phone
Fax
E-mail

AQUAJET 132 M-G



Dimensiuni in mm

1	A	492
2	A1	413
3	B	263
4	D	256
5	DNA	1"G
6	DNM	1"G
7	H	296
8	H1	204
9	L	301
10		
11		
12		

Racorduri pompa:

Aspiratie
1" G
8 bar (800 kPa)

Refulare
1" G
8 bar (800 kPa)

MAIN_PROJECT_TITLE

BUSINESS_PROCESS_ID

OWNER

ISSUE_DATE