

Destinatar

Firma
Referinta
Adresa
Phone
Fax
E-mail

Expeditor

Cod articol :

60141884

Articol:

AQUAJET-INOX 82 M-G

Date pompa

Presiune nominala: 8 bar (800 kPa)
Temperatura min. fluid 0 °C
Temperatura max. fluid 35 °C
Temperatura max. ambienta 40 °C

Capacitate de amorsare:

H	m	2	3	4	5	6	7	8	9
Q	m ³ /h	3.06	2.76	2.46	2.28	1.92	1.74	1.32	1.02

Date de functionare cerute

Debit :
Inaltime de pompare :
Fluid pompat : Apă
Temperatura fluid: 20 °C
Densitate 998.3 kg/m³
Vasozitate cinematica: 1.005 mm²/s
Presiune de vapori: 2.34 kPa

Date disponibile:

Debit :
Inaltime de pompare :

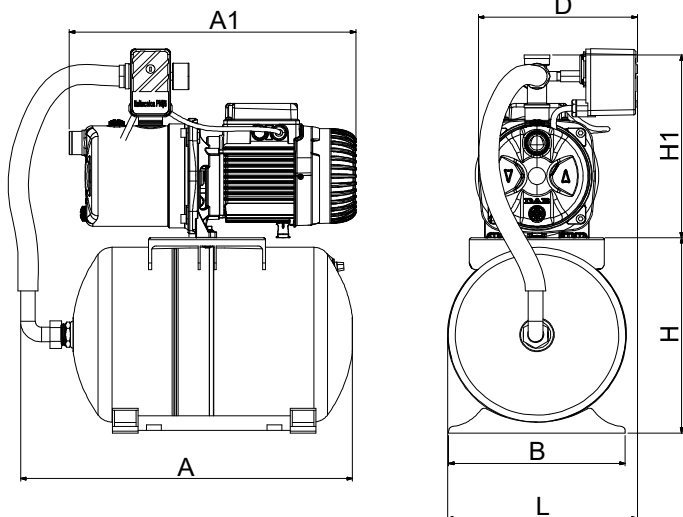
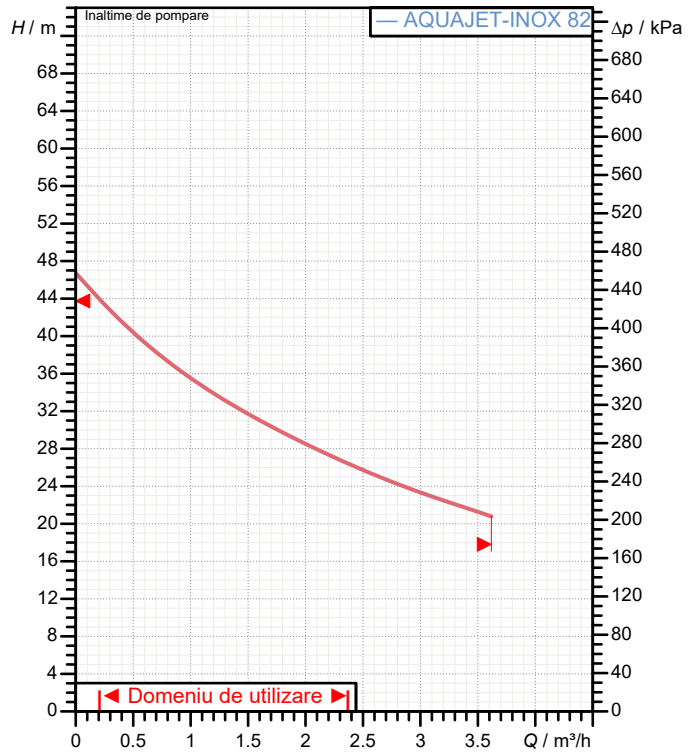
Materiale

Corp pompa AISI 304 X5 Cr Ni 1810 UNI 6900/71
Rotor Tecpolimer A
Arbore cu rotor AISI 303 X10 CrNiS 1809 UNI 6900/71
Garnitura OR Cauciuc NBR
Grup duza difuzor venturi Tecpolimer A
Etansare mecanica Carbon/Ceramica
Capac suport etansare AISI 304 X5 Cr Ni 1810 UNI 6900/71

Date motor

Marca : DAB
Putere nominala P2: 0.6 kW
Viteza nominala: 2750 1/min
Tensiune nominala : 1~ 220-240 V 50 Hz
Curent nominal : 3.8 A
Grad de protectie: IP 44

Curve tolerance according to ISO 9906



Dimensiuni de gabarit mm

A	494	DNA	1" GAS	L	283		
A1	406	DNM	1" GAS				
B	263	H	296				
D	237	H1	277				

Masa 16 kg

Racorduri pompa:

Partea cu aspiratia: 1" G / 8 bar (800 kPa)
Partea cu refularea: 1" G / 8 bar (800 kPa)



CURBELOR CARACTERISTICE

06/29/2022

Pagina 2 / 3

DAB PUMPS S.p.A.
Via Marco Polo, 14 - 35035 Mestrino (PD), Italy
Tel. +39 049 5125000 - Fax +39 049 5125950
www.dabpumps.com

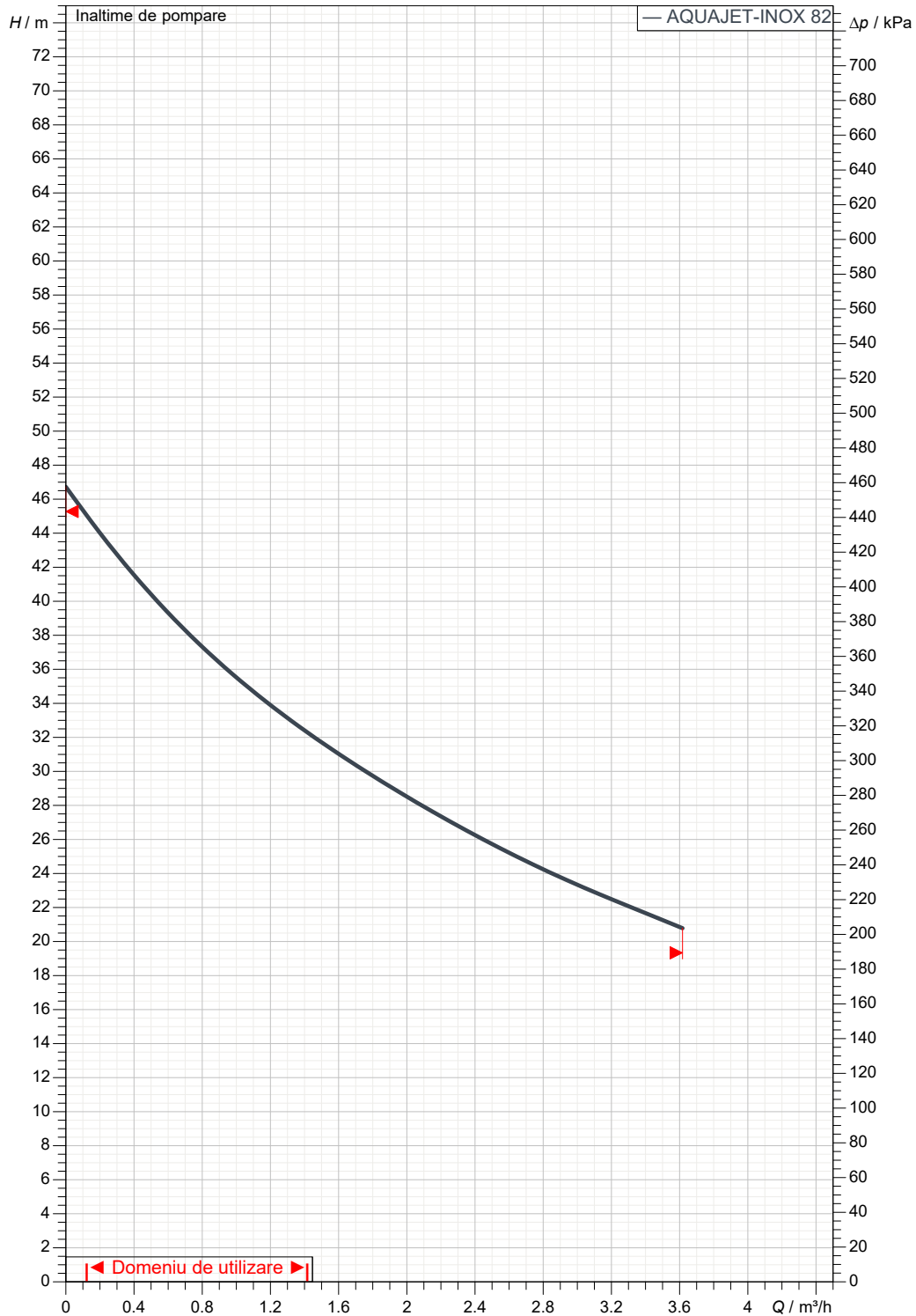
Destinatar

Expedito

Firma
Referinta
Adresa
Phone
Fax
E-mail

AQUAJET-INOX 82 M-G

Curve tolerance according to ISO 9906



Date disponibile:

Partea cu aspiratia:
1" G
8 bar (800 kPa)

Partea cu refularea:
1" G
8 bar (800 kPa)

Debit :

Înaltime de pompare :

Viteza nominala:
2750 1/min

MAIN_PROJECT_TITLE

BUSINESS_PROCESS_ID

OWNER_

ISSUE_DATE



DESEN DIMENSIONAL

06/29/202

Pagina 3 / 3

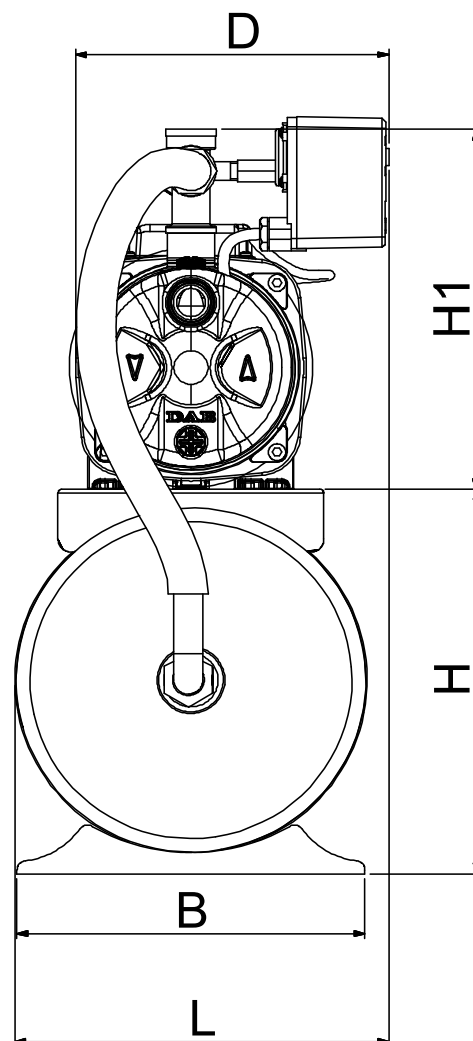
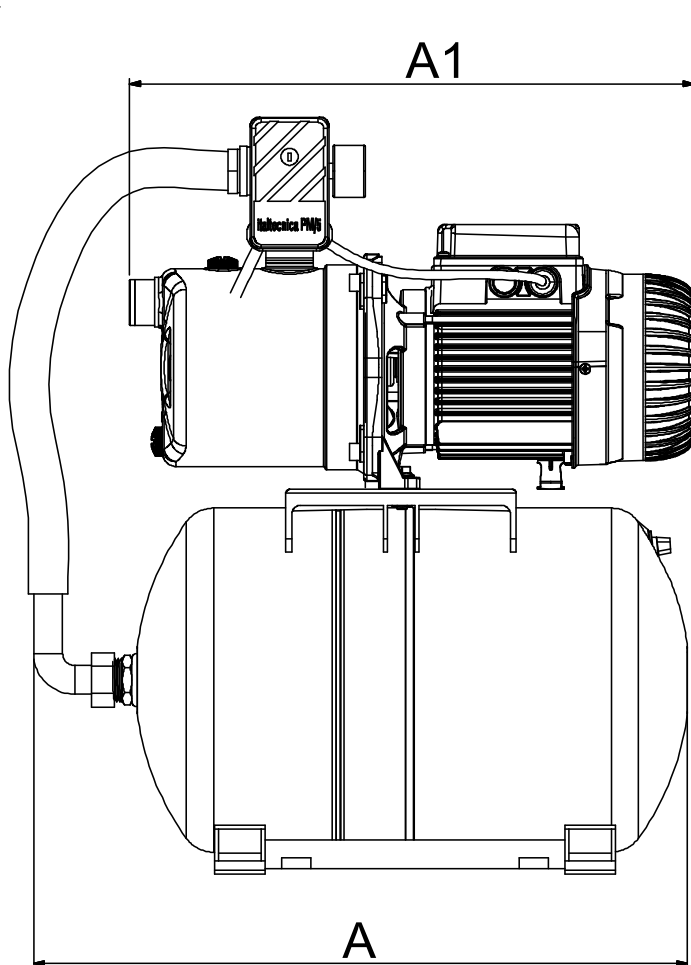
DAB PUMPS S.p.A.
Via Marco Polo, 14 - 35035 Mestrino (PD), Italy
Tel. +39 049 5125000 - Fax +39 049 5125950
www.dabpumps.com

Destinatar

Expeditor

Firma
Referinta
Adresa
Phone
Fax
E-mail

AQUAJET-INOX 82 M-G



Dimensiuni in mm

1	A	494
2	A1	406
3	B	263
4	D	237
5	DNA	1" GAS
6	DNM	1" GAS
7	H	296
8	H1	277
9	L	283
10		
11		
12		

Racorduri pompa:

Aspiratie
1" G
8 bar (800 kPa)

Refulare
1" G
8 bar (800 kPa)

MAIN_PROJECT_TITLE

BUSINESS_PROCESS_ID

OWNER

ISSUE_DATE