

Destinatar

Firma
Referinta
Adresa
Phone
Fax
E-mail

Expeditor

Cod articol :

60167458

Articol:

KDNE 65-200/170/A/BAQE/1/15/2 T MCE150/P IE3

Date pompa

Diametru rotor: 170 mm
Coupling : Standard

MEI \geq 0,60

Presiune nominala: PN 16

Temperatura min. fluid -10 °C

Temperatura max. fluid 140 °C

Temperatura max. ambianta 40 °C

Date de functionare cerute

Debit :

Înăltime de pompare :

Fluid pompat (%) :

Temperatura fluid: 20 °C

Densitate 998.3 kg/m³

Vascozitate cinematica: 1.005 mm²/s

Presiune de vapori: 2,34 kPa

Date disponibile:

Debit :

Înăltime de pompare :

Materiale

Corp pompa Fonta 200 UNI ISO 185

Rotor Fonta 200 UNI ISO 185

Arbore pompa AISI 420 - UNI 6900/71

Garnitura OR Viton

Disc suport etansare Fonta 200 UNI ISO 185

Etansare mecanica SEE "SHAFT SEAL" SECTION

Distanțier de etansare AISI 304 - UNI 6900/71

Etansare mecanica

Type Cauciuc

Stationary part Carbura de siliciu

Rotating part Carbon

Elastomer EPDM

Date motor

Putere nominala P2: 15 kW

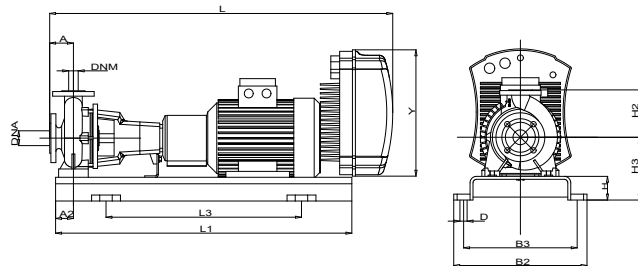
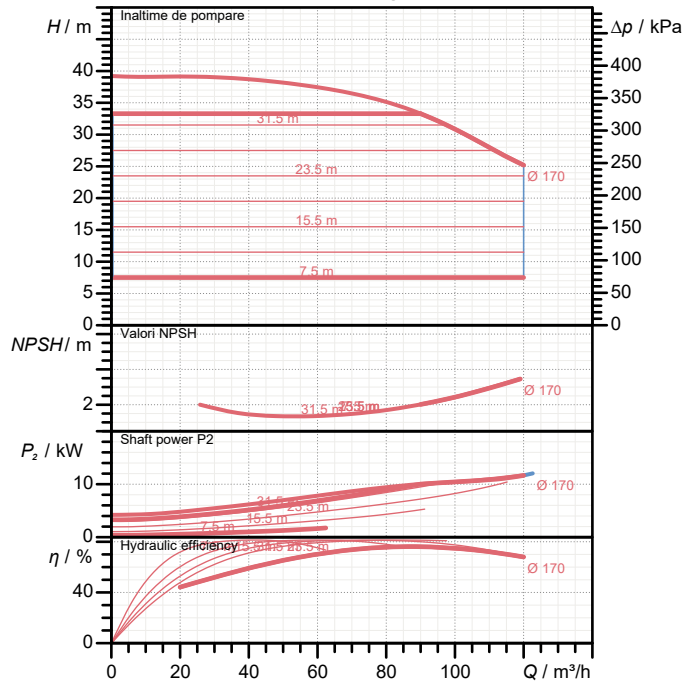
Viteza nominala: 2941 1/min

Tensiune nominala : 3~ 400 V 50 Hz

Curent de intrare: 34 A

Grad de protectie motor: IP 55

Curve tolerance according to ISO 9906



Masa 292 kg

Dimensiuni de gabarit mm

A	100	H2	225
A2	75	H3	240
B2	490	L	-
B3	440	L1	1120
D	24	L3	740
DNA	80	Y	426
DNM	65		
H	80		

Racorduri pompa:

Partea cu aspiratia: DN 80 / PN 16

Partea cu refularea: DN 65 / PN 16



WATER • TECHNOLOGY

CURBELOR CARACTERISTICE

12/29/2021

Pagina 2 / 3

DAB PUMPS S.p.A.
Via Marco Polo, 14 - 35035 Mestrino (PD), Italy
Tel. +39 049 5125000 - Fax +39 049 5125950
www.dabpumps.com

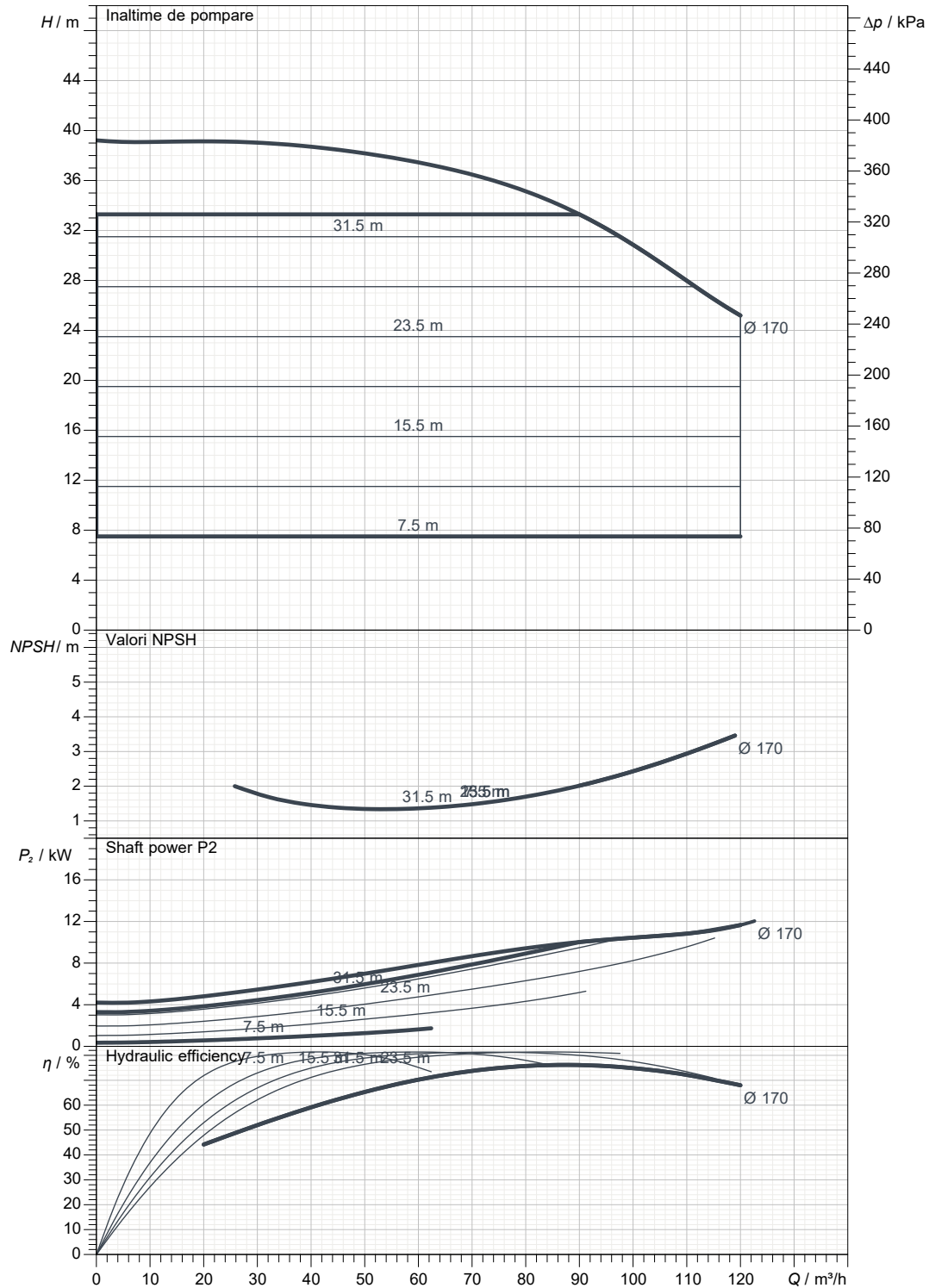
Destinatar

Expeditor

Firma
Referinta
Adresa
Phone
Fax
E-mail

KDNE 65-200/170/A/BAQE/1/15/2 T MCE150/P IE3

Curve tolerance according to ISO 9906



Partea cu aspiratia:
DN 80
PN 16

Partea cu refularea:
DN 65
PN 16

Debit :

Înaltime de pompare :

Viteza nominala:
2941 1/min

MAIN_PROJECT_TITLE

BUSINESS_PROCESS_IC

OWNER_

ISSUE_DATE



DESEN DIMENSIONAL

12/29/2021

Pagina 3 / 3

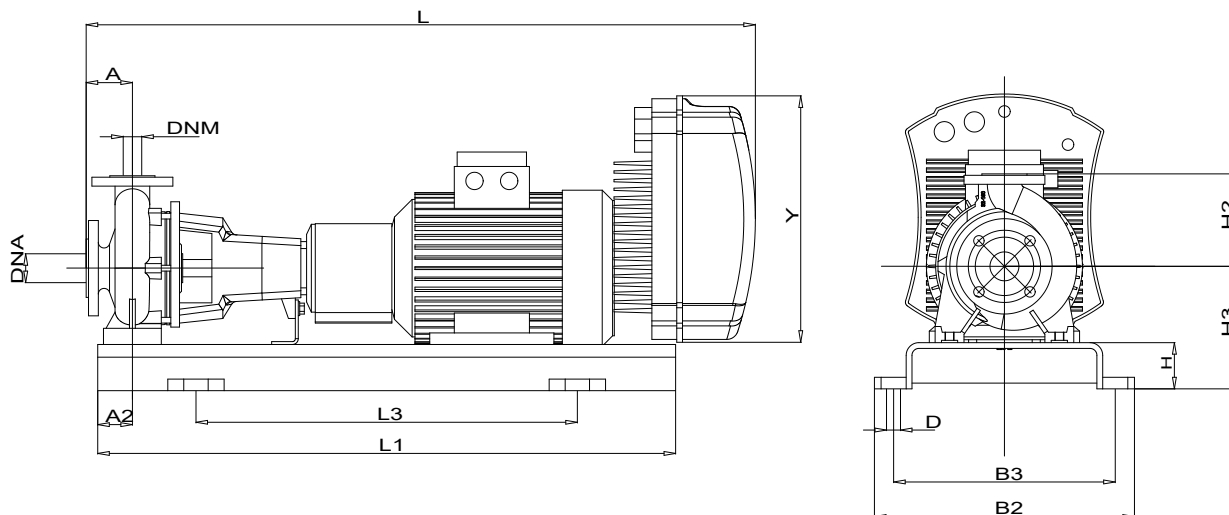
DAB PUMPS S.p.A.
Via Marco Polo, 14 - 35035 Mestrino (PD), Italy
Tel. +39 049 5125000 - Fax +39 049 5125950
www.dabpumps.com

Destinatar

Expeditor

Firma
Referinta
Adresa
Phone
Fax
E-mail

KDNE 65-200/170/A/BAQE/1/15/2 T MCE150/P IE3



Dimensiuni in mm

Racorduri pompa:

1	A	100	L3	740			
2	A2	75	Y	426			Aspiratie
3	B2	490					DN 80
4	B3	440					PN 16
5	D	24					
6	DNA	80					
7	DNM	65					Refulare
8	H	80					DN 65
9	H2	225					PN 16
10	H3	240					
11	L	-					
12	L1	1120					

MAIN_PROJECT_TITLE

BUSINESS_PROCESS_ID

OWNER

ISSUE_DATE