

### Destinatar

Firma  
Referinta  
Adresa  
Phone  
Fax  
E-mail

### Expeditior

### Cod articol :

### Articol:

1 ESYBOX MAX 60/120 M

### Date pompa

Presiune nominala: 12 bar (1200 KPa)  
Constant pressure range: 1-12 bar (3 bar by default)  
Temperatura min. fluid 0 °C  
Temperatura max. fluid 50 °C  
Temperatura max. ambienta 55 °C

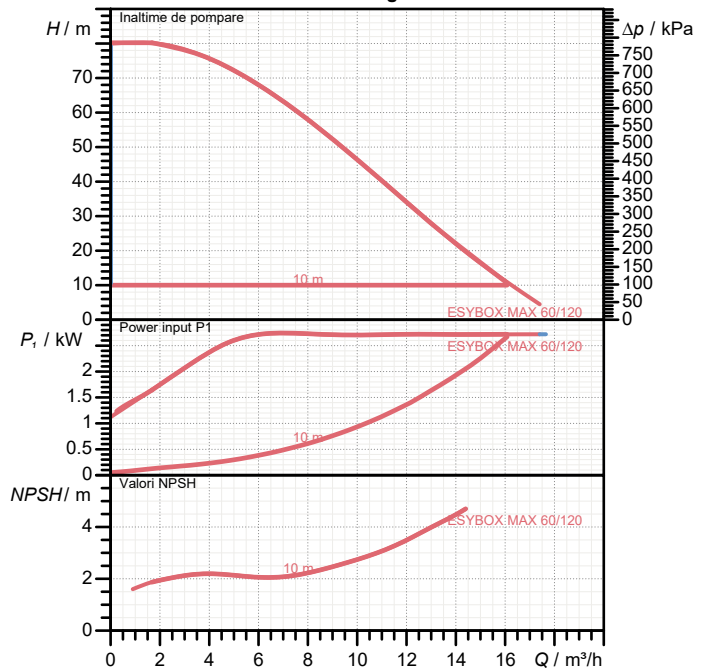
### Date de functionare cerute

Debit :  
Înaltime de pompare :  
Fluid pompat : Apă  
Temperatura fluid: 20 °C  
Densitate 998.3 kg/m<sup>3</sup>  
Vascozitate cinematica: 1.005 mm<sup>2</sup>/s  
Presiune de vapori: 2.34 kPa

### Materiale

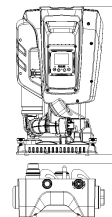
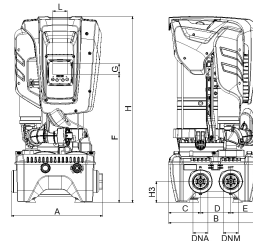
Fitting Technopolymer PA66 30%GF  
Manifold Otel inox AISI 304  
Flange Technopolymer PA66 30%GF  
Corp pompa Technopolymer PA66 30%GF  
Pump body ring Technopolymer PP 30%GF  
Rotor Technopolymer PP 30%GF/AISI 304  
Difuzor Technopolymer PP 30%GF/AISI 304  
Motor axis Otel inox AISI 303  
Garnitura OR EPDM  
Motor flange Technopolymer PA66 30%GF  
Etansare mecanica Graphite/Stainless Steel/EPDM  
Motor liner Otel inox AISI 304  
Corp motor Technopolymer PA66 30%GF  
Conveyor tube Technopolymer PP 30%GF  
Pressure sensor Nylon/EPDM  
Non-return valve POM/EPDM/AISI 302  
Non-return valve body Technopolymer PA66 30%GF  
Tank Noryl/Rubber  
Delivery body Technopolymer PA66 30%GF  
Outer liner Otel inox AISI 304

### Curve tolerance according to ISO 9906



### Date disponibile:

Debit :  
Înaltime de pompare :



### Dimensiuni de gabarit mm

A	375	E	127.7	H3	87		
B	384	F	526	L	59.5		
C	131.8	G	45				
D	124.5	H	766				
DNA	1"1/4 -	H1	613				
DNM	1"1/4 -	H2	228				

Masa 38 kg

### Racorduri pompa:

Partea cu aspiratia: 1"1/4 - 2" G / 12 bar (1200 KPa)  
Partea cu refularea: 1"1/4 - 2" G / 12 bar (1200 KPa)

### Date motor

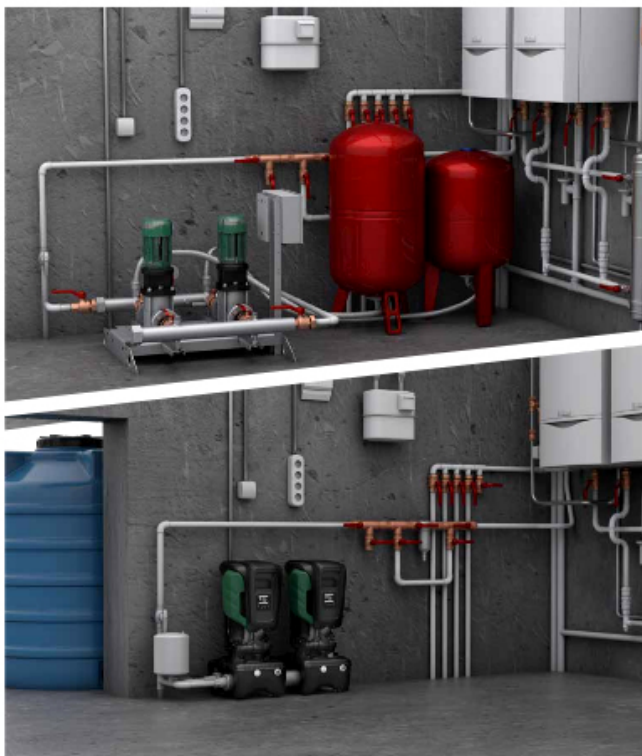
Putere absorbita P1 1 x 2.7 kW  
Viteza nominala: 5240 1/min  
Tensiune nominala : 1~ 208-240 V 50 Hz  
Curent nominal : 1 x 12 A  
Grad de protecție: IP X5

# ENERGY SAVING

BEFORE

AFTER

- 20%  
Compared with  
traditional inverter pump



**D+CONNECT**  
BUILT-IN



As quick as a "click"



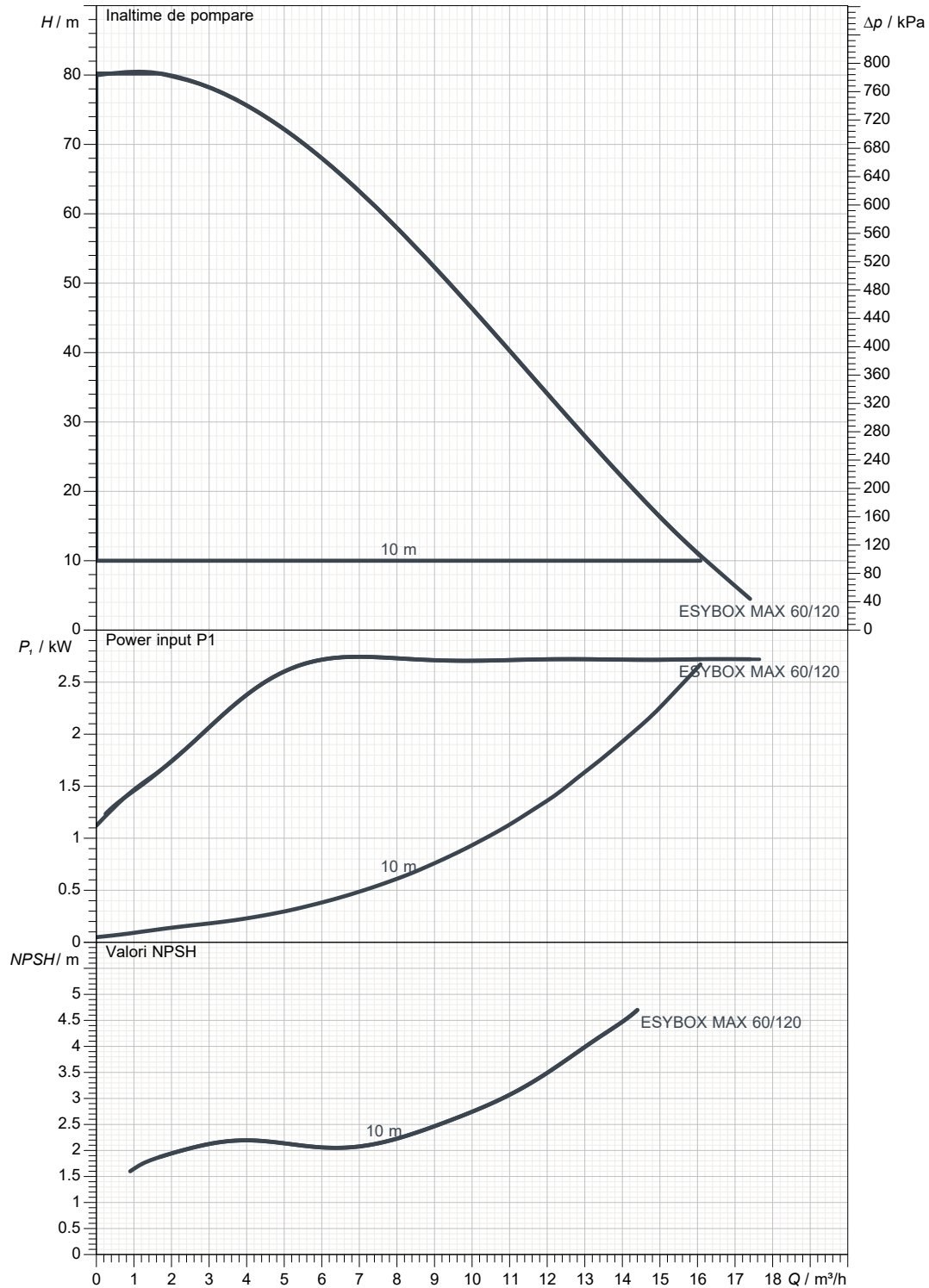
Destinatari

Expeditor

 Firma  
 Referinta  
 Adresa  
 Phone  
 Fax  
 E-mail

## 1 ESYBOX MAX 60/120 M

Curve tolerance according to ISO 9906



Date disponibile:

 Partea cu aspiratia:  
 1"1/4 - 2" G  
 12 bar (1200 KPa)

 Partea cu refularea:  
 1"1/4 - 2" G  
 12 bar (1200 KPa)

Debit :

Înaltime de pompare :

 Viteza nominala:  
 5240 1/min

MAIN\_PROJECT\_TITLE

BUSINESS\_PROCESS\_IC

OWNER\_

ISSUE\_DATE

07/07/2021



# DESEN DIMENSIONAL

07/07/2021

Pagina 4 / 4

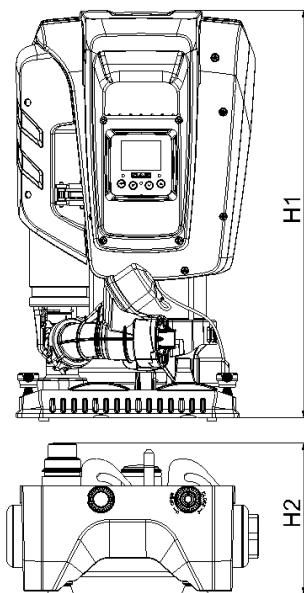
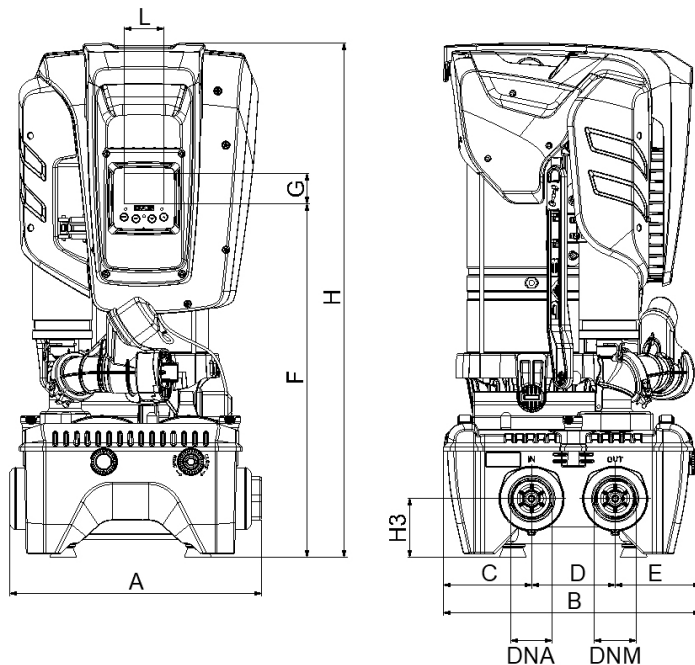
DAB PUMPS S.p.A.  
Via Marco Polo, 14 - 35035 Mestrino (PD), Italy  
Tel. +39 049 5125000 - Fax +39 049 5125950  
www.dabpumps.com

Destinatar

Expeditor

Firma  
Referinta  
Adresa  
Phone  
Fax  
E-mail

## 1 ESYBOX MAX 60/120 M



Dimensiuni in mm

Racorduri pompa:

1	A	375	H3	87	Aspiratie 1"1/4 - 2" G 12 bar (1200 KPa)  Refulare 1"1/4 - 2" G 12 bar (1200 KPa)
2	B	384	L	59.5	
3	C	131.8			
4	D	124.5			
5	DNA	1"1/4 - 2"			
6	DNM	1"1/4 - 2"			
7	E	127.7			
8	F	526			
9	G	45			
10	H	766			
11	H1	613			
12	H2	228			

MAIN\_PROJECT\_TITLE

BUSINESS\_PROCESS\_ID

OWNER

ISSUE\_DATE

07/07/2021