

Receiver

Society
Reference
Address
Phone
Fax
E-mail

From

Item n° :

60169891

Model :

1 NKP-G 50-200/210 + KVCX 65/80 IE3

Pump data

MEI $\geq 0,50$

Impeller size : 210 mm

Pressure rating : 145 psi

Min. fluid temperature : 0 °C

Max. fluid temperature : 40 °C

Max. Ambient temperature : 40 °C

Requested data

Flow :

Head :

Fluid : Water

Fluid Temperature : 20 °C

Density : 998,3 kg/m³

Kinematic viscosity : 1,005 mm²/s

Vapor pressure : 0,34 psi

Hydraulic data (duty point)

Flow :

Head :

Materials

Pump body Cast iron 250 UNI ISO 185

Support Cast iron 250 UNI ISO 185

Impeller Cast iron 250 UNI ISO 185

Mechanical seal SEE "SHAFT SEAL" SECTION

OR ring Ethylene propylene (EPDM)

Pump shaft AISI 304 - UNI 6900/71

Suction and discharge manifolds Galvanized steel

Motor data

Motor brand :

Nominal power P2 : 18,5 kW

Rated speed : 2.950 1/min

Rated voltage : 3~ 400 V 50 Hz

Nominal current : 33 A

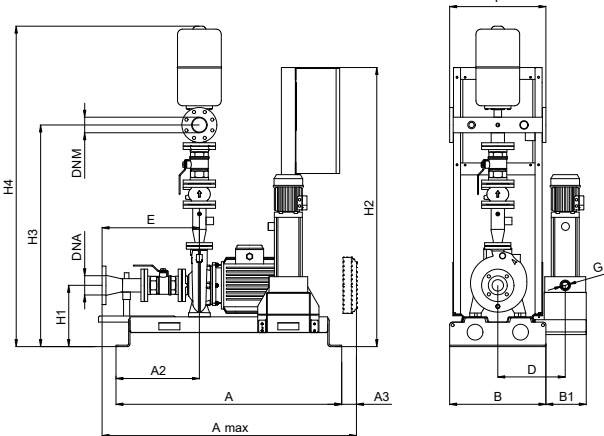
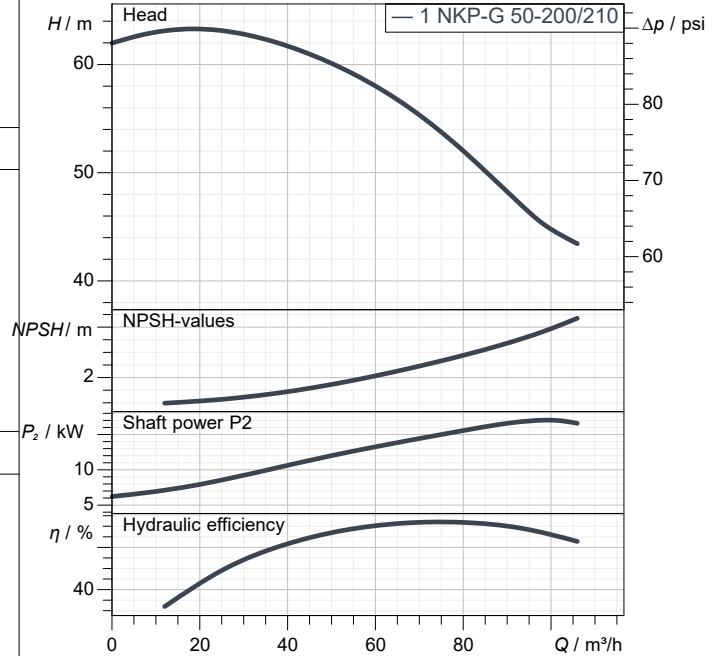
Degree of protection : IP 55

Pump connection

Suction side : DN 100 / 145 psi

Discharge side : DN 100 / 145 psi

Curve tolerance according to ISO 9906



WITHOUT the jockey pump, do not consider B1, D and G.

Weight : 0 kg

Dimensions in mm

A	1.290	H4	1.805
A2	579	I	550
Amax	1.290		
B	550		
B1	230		
D	385		
DNA	DN 100		
DNM	DN 100		
E	516		
G	1"1/4		
H1	330		
H2	1.600		
H3	1.230		



PERFORMANCE CURVES

2022-10-21

Page 2 / 3

DAB PUMPS S.p.A.
Via Marco Polo, 14 - 35035 Mestrino (PD), Italy
Tel. +39 049 5125000 - Fax +39 049 5125950
www.dabpumps.com

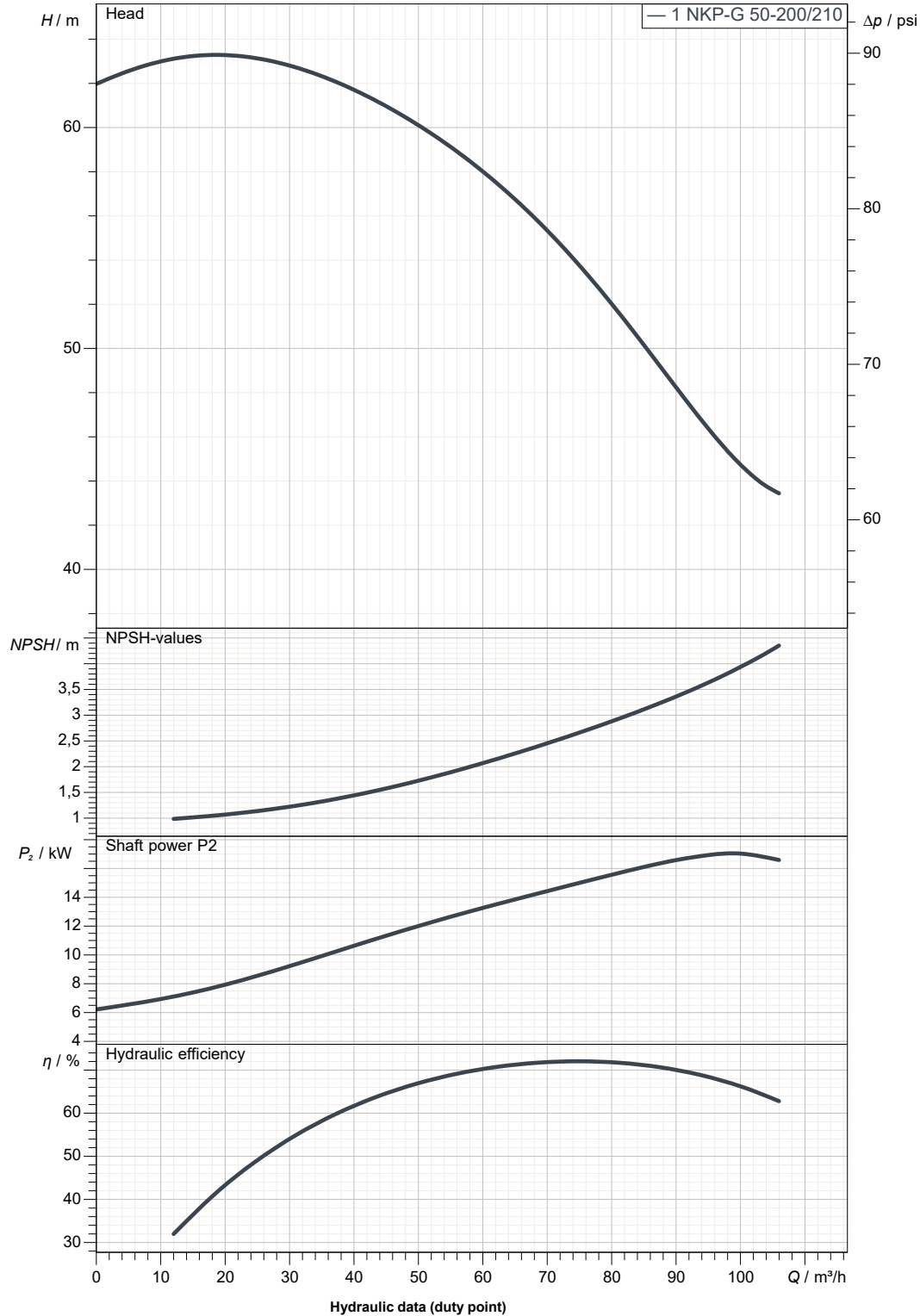
Receiver

From

Society
Reference
Address
Phone
Fax
E-mail

1 NKP-G 50-200/210 + KVCX 65/80 IE3

Curve tolerance according to ISO 9906



Suction side :
DN 100
145 psi

Discharge side :
DN 100
145 psi

Flow :

Head :

Rated speed :
2.950 1/min

MAIN_PROJECT_TITLE

BUSINESS_PROCESS_ID

OWNER_

ISSUE_DATE

2022-10-21



DIMENSIONAL DRAWING

2022-10-21

Page 3 / 3

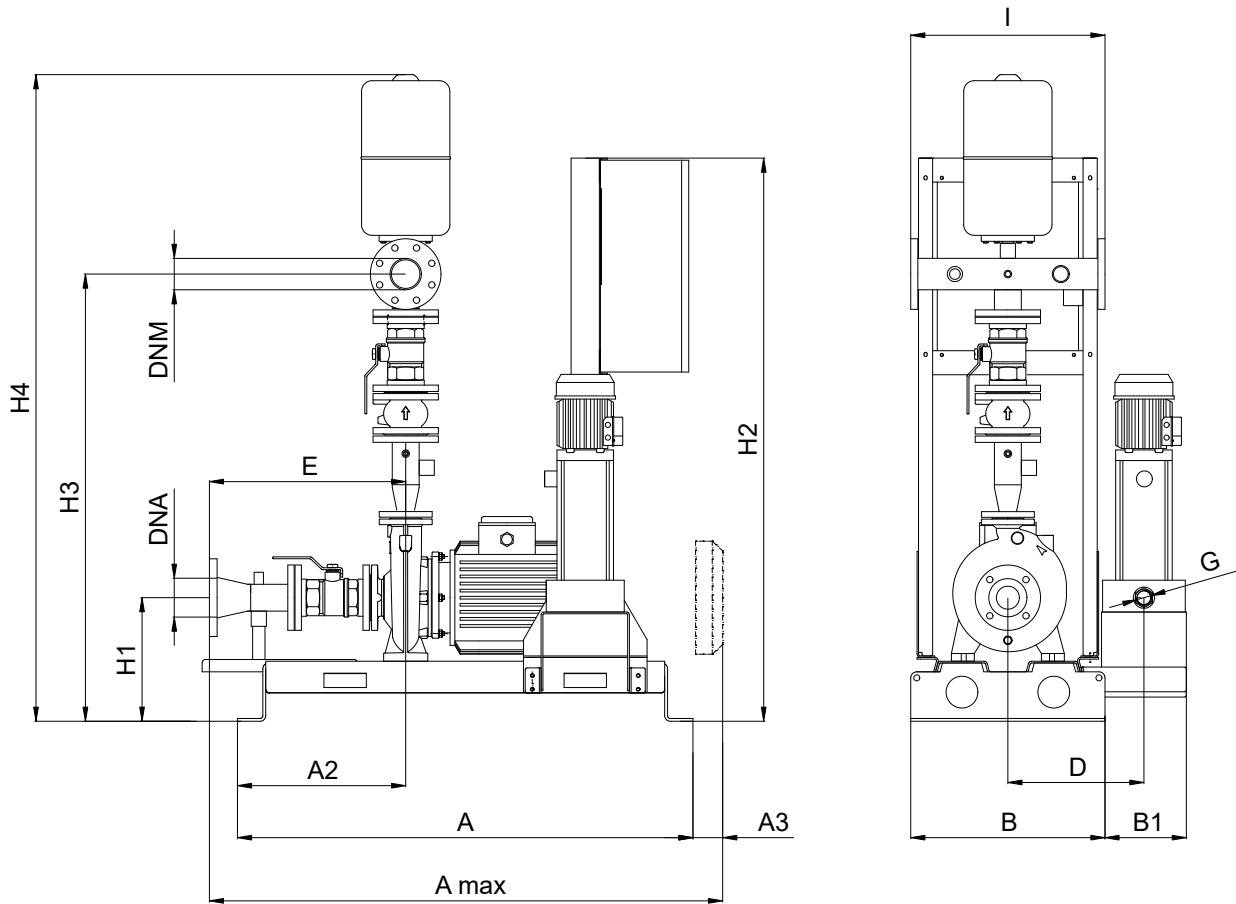
DAB PUMPS S.p.A.
Via Marco Polo, 14 - 35035 Mestrino (PD), Italy
Tel. +39 049 5125000 - Fax +39 049 5125950
www.dabpumps.com

Receiver

From

Society
Reference
Address
Phone
Fax
E-mail

1 NKP-G 50-200/210 + KVCX 65/80 IE3



WITHOUT the jockey pump, do not consider B1, D and G.

Dimensions in mm						Pump connection
1	A	1.290	H3	1.230		Suction DN 100 145 psi Discharge DN 100 145 psi
2	A2	579	H4	1.805		
3	Amax	1.290	I	550		
4	B	550				
5	B1	230				
6	D	385				
7	DNA	DN 100				
8	DNM	DN 100				
9	E	516				
10	G	1"1/4				
11	H1	330				
12	H2	1.600				

MAIN_PROJECT_TITLE	BUSINESS_PROCESS_ID	OWNER	ISSUE_DATE 2022-10-21
--------------------	---------------------	-------	---------------------------------