

# EVOSTA 2 OEM

## WET ROTOR ELECTRONIC CIRCULATORS

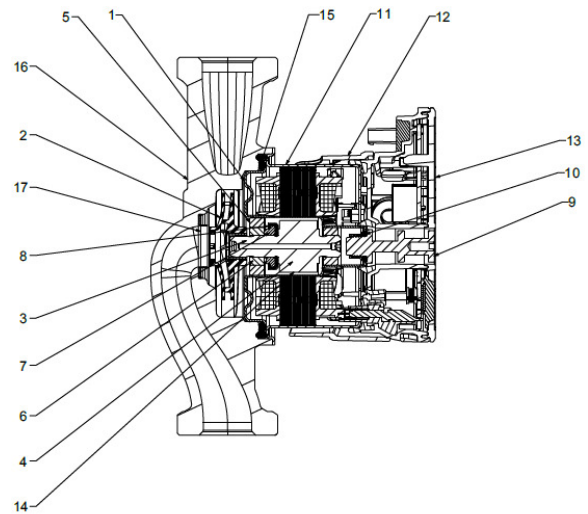


### TECHNICAL DATA

**Operating range:** 0-4 m<sup>3</sup>/h with head up to 7,5 metres.  
**Pumped liquid temperature range:** from -10 °C to +110 °C.  
 (130 °C to 60 °C ambient)  
**Working pressure:** 10 bar (1000 kPa)  
**Protection class:** IPX5  
**Insulation class:** F  
**Installation:** with horizontal motor axis  
**Standard power input:** single-phase 1 x 230 V~ 50/60 Hz  
**Power cable:** molex plug with 1.5m cable  
**Signal cable:** plug with 1.5 m cable (OEM versions only)  
**Pumped liquid:** Clean, free of solids and mineral oils, non-viscous, chemically neutral, with properties similar to water.  
 (max. glycol 50%)

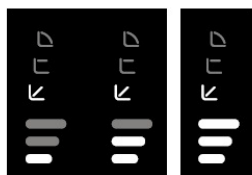
### MATERIALS

N.	PARTS	MATERIALS
1	STATOR LINER	AISI 316
2	IMPELLER	ULTRASON
3	SHAFT	ALUMINA
4	ROTOR	Fe
5	BUSH HOLDER	BRASS
6	BUSH	ALUMINA
7	THRUST BUSH	GRAPHITE
8	THRUST BOX	EPDM
9	BREATHER PLUG	BRASS
10	O-ring	EPDM
11	MOTOR CASING	AISI 304
12	ENCLOUSER SHELL	POLYCARBONATE
13	ENCLOUSER	POLYCARBONATE
14	ROTOR LINER	AISI 304
15	GASKET	EPDM
16	PUMP BODY	CAST IRON-BRONZE (SAN VERSION)
17	SEAL RING	AISI 304



### OPERATING MODES

#### PROPORTIONAL DIFFERENTIAL PRESSURE OPERATION

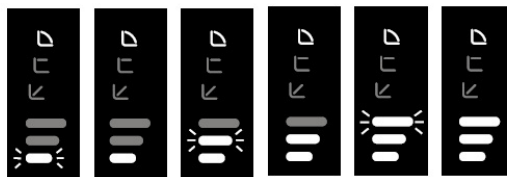


PP1

PP2

PP3

#### FIXED CURVE OPERATION



I

II

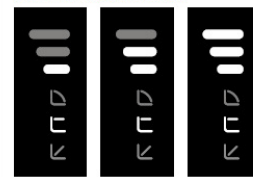
III

IV

V

VI

#### CONSTANT DIFFERENTIAL PRESSURE OPERATION



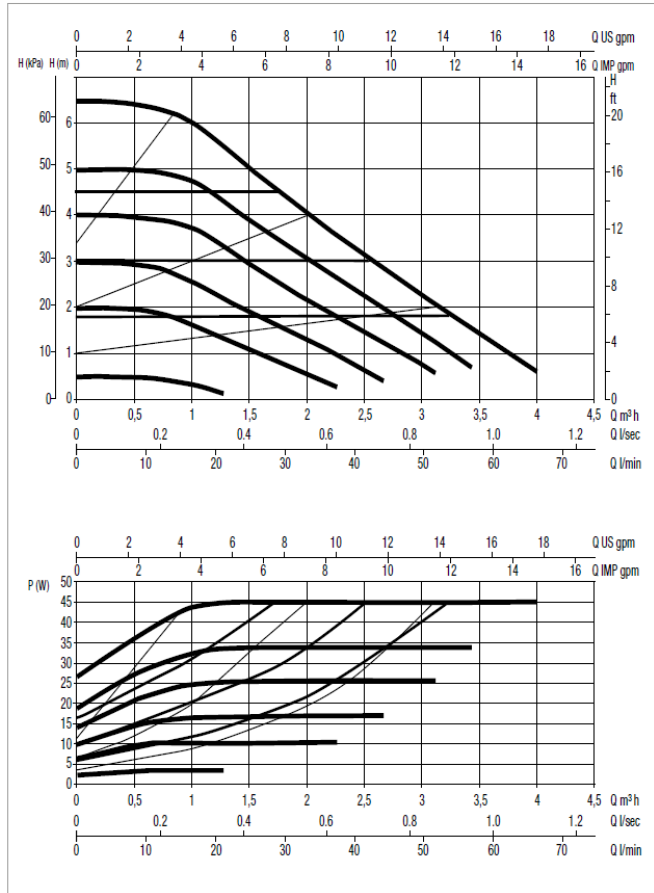
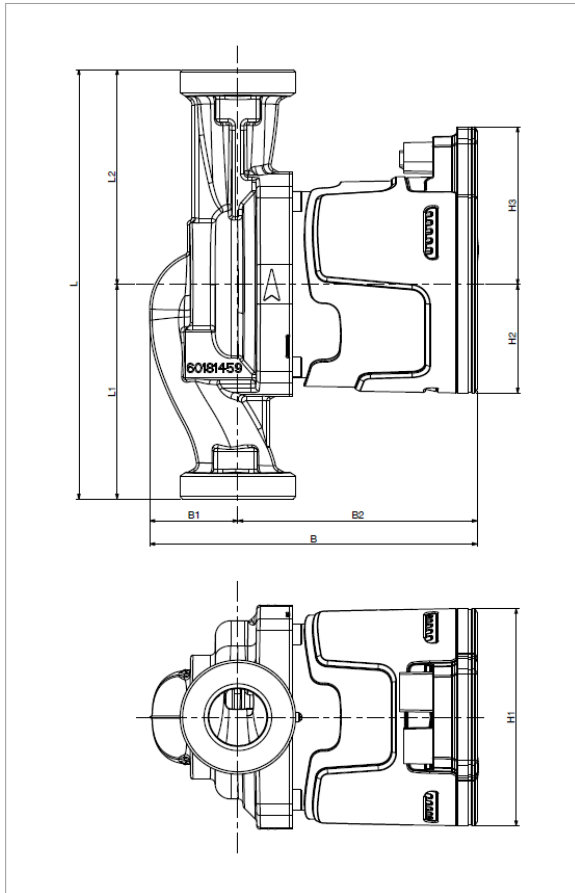
PC1

PC2

PC3

## EVOSTA 2 OEM - ELECTRONIC CIRCULATORS FOR DOMESTIC HEATING AND AIR CONDITIONING SYSTEMS SINGLE, WITH UNIONS

Liquid temperature range: from -10°C to +110°C - Maximum operating pressure: 10 bar (1000 kPa)



The performance curves are based on kinematic viscosity values = 1 mm<sup>2</sup>/s and density equal to 1000 kg/m<sup>3</sup>. Curve tolerance according to ISO 9906.

MODEL	CENTRE DISTANCE mm	POWER INPUT 50 Hz	P1 MAX W	P1 MIN W	In MAX A	In MIN A	EEL detail 3	GRADE IP
EVOSTA2 65/130 OEM (1")	130	1x230V ~	45	2	0.35	0.026	<0,20	IP X5

MODEL	L	L1	L2	B	B1	B2	F	H	H1	H2	H3	Q.TY X PALLET
EVOSTA2 65/130 OEM (1")	130	65	65	135	36	99	1" 1/2	94	91	45.5	66	240