

Receiver

From

Company
Reference
Address
Phone
Fax
E-mail

Item n° : 102662040
Customer pos. no.:
Model : JET 102 M-P

Pump data
Pressure rating : 87,02 psi
Min. fluid temperature : 0 °C
Max. fluid temperature : 35 °C
Max. Ambient temperature : 40 °C

Priming capacity :

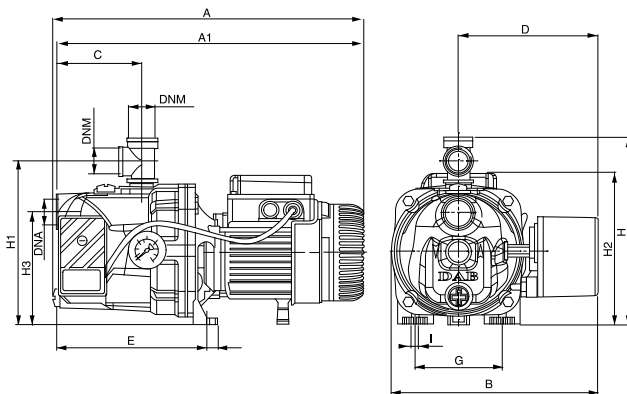
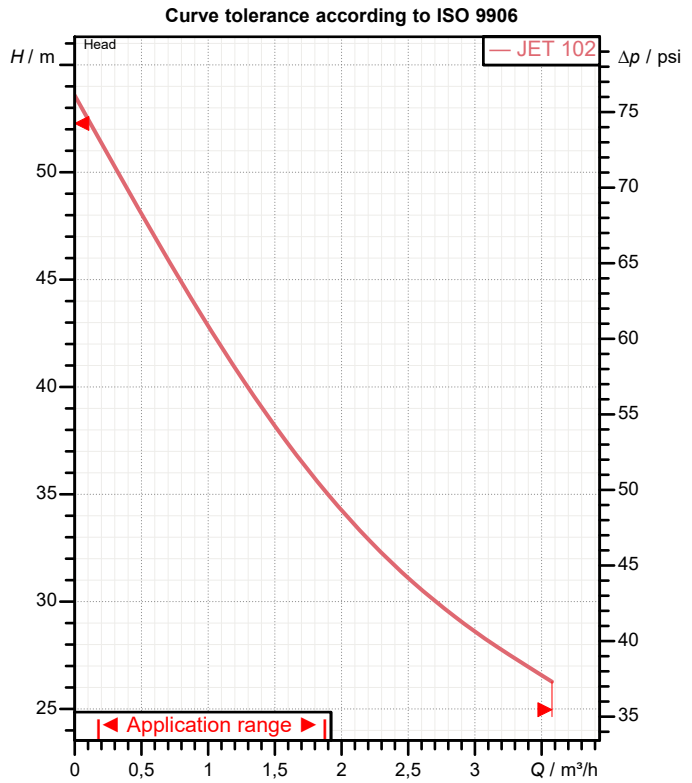
H	m	2	3	4	5	6	7	8	9
Q	m³/h	3,06	2,82	2,46	2,28	2,04	1,68	1,38	1,08

Requested data
Flow :
Head :
Fluid : Water
Fluid Temperature : 20 °C
Density : 998,3 kg/m³
Kinematic viscosity : 1,005 mm²/s
Vapor pressure : 0,34 psi

Hydraulic data (duty point)
Flow :
Head :

Materials
Pump body : Cast iron 200 UNI ISO 185
Support : Die cast aluminium
Impeller : Technopolymer A
Mechanical seal : Carbon/Ceramic
O-Ring : NBR Rubber
Shaft with rotor : AISI 416 X12 CrS 13 UNI 6900/71
Nozzle venturi diffuser assembly : Technopolymer A

Motor data
Motor brand : DAB
Nominal power P2 : 0,75 kW
Rated speed : 2.800 1/min
Rated voltage : 1~ 220-240 V
Nominal current : 5,1 A
Degree of protection : IP 44



Dimensions in mm

A	414	D	177	F	14	H2	203
A1	390	DNA	1" G	G	111	H3	144
B	263	DNM	1" G	H	239	I	9
C	108	E	192	H1	209		

Weight : 13,9 kg
Pump connection
Suction side : 1" G / 87,02 psi
Discharge side : 1" G / 87,02 psi



WATER • TECHNOLOGY

PERFORMANCE CURVES

2023-07-12

Page 2 / 3

DAB PUMPS S.p.A.
Via Marco Polo, 14 - 35035 Mestrino (PD), Italy
Tel. +39 049 5125000 - Fax +39 049 5125950
www.dabpumps.com

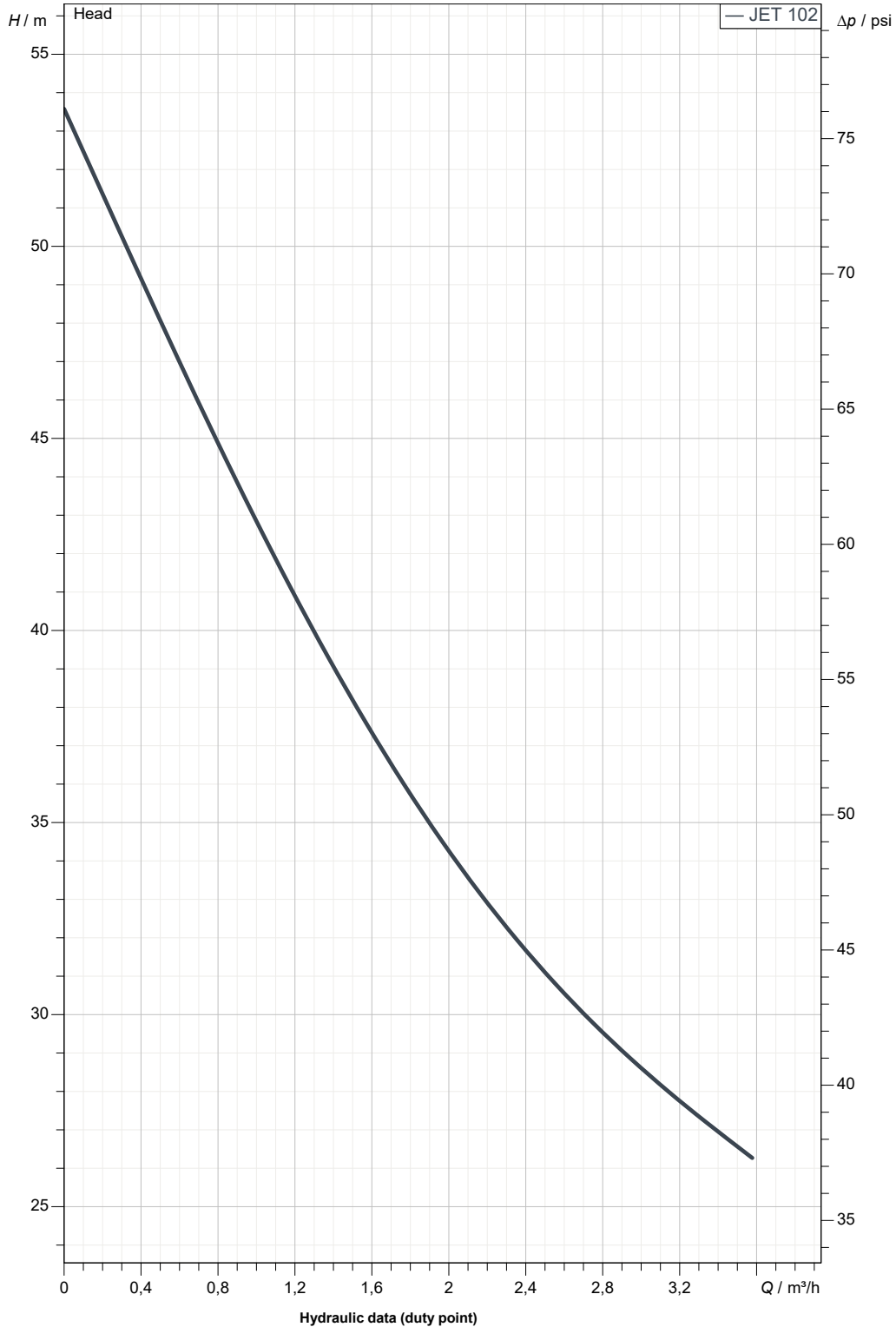
Receiver

From

Company
Reference
Address
Phone
Fax
E-mail

JET 102 M-P

Curve tolerance according to ISO 9906



Suction side :
1" G
87.02 psi

Discharge side :
1" G
87.02 psi

Flow :

Head :

Rated speed :
2.800 1/min

MAIN_PROJECT_TITLE

BUSINESS_PROCESS_ID

OWNER_

ISSUE_DATE
2023-07-12



DIMENSIONAL DRAWING

DAB PUMPS S.p.A.
Via Marco Polo, 14 - 35035 Mestrino (PD), Italy
Tel. +39 049 5125000 - Fax +39 049 5125950
www.dabpumps.com

2023-07-12

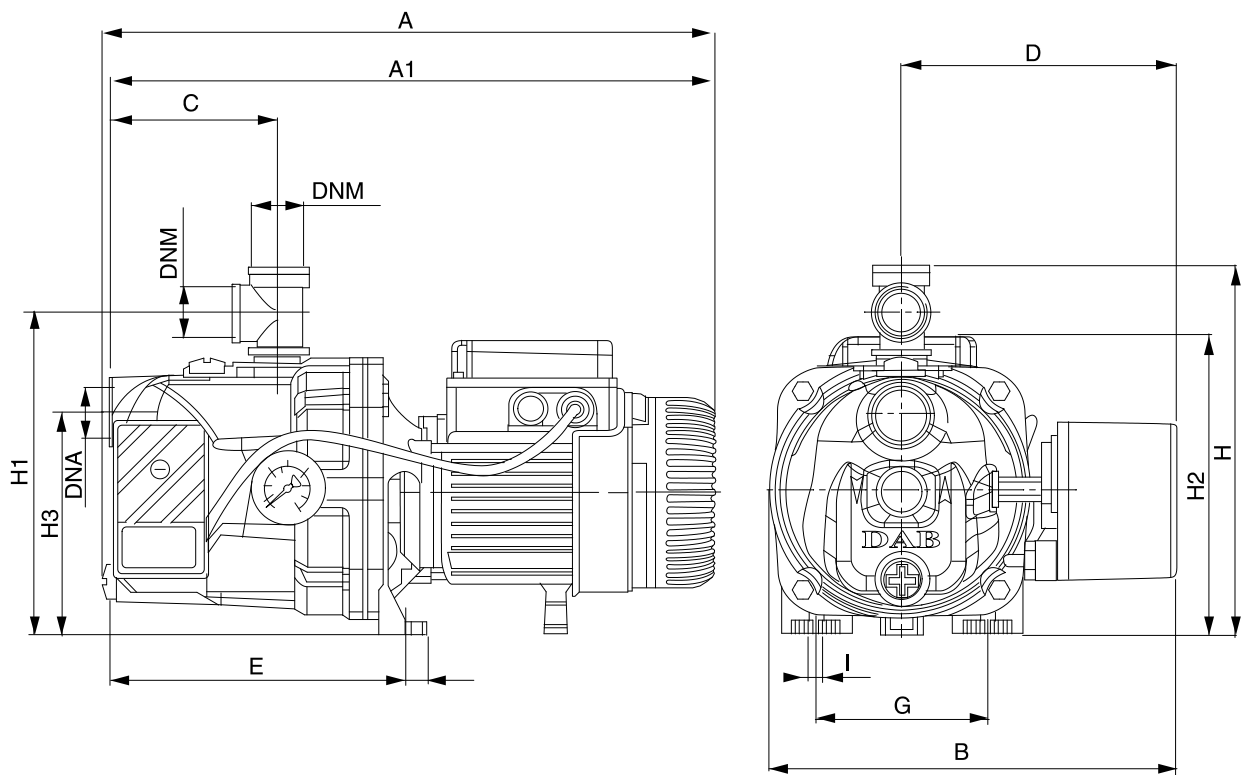
Page 3 / 3

Receiver

From

Company
Reference
Address
Phone
Fax
E-mail

JET 102 M-P



Dimensions in mm

Pump connection

1	A	414	H1	209			
2	A1	390	H2	203			Suction
3	B	263	H3	144			1" G
4	C	108	I	9			87,02 psi
5	D	177					
6	DNA	1" G					Discharge
7	DNM	1" G					1" G
8	E	192					87,02 psi
9	F	14					
10	G	111					
11	H	239					

MAIN_PROJECT_TITLE

BUSINESS_PROCESS_ID

OWNER

ISSUE_DATE

2023-07-12