

Cant. Descriere

1 ALPHA2 32-80 N 180



Notă! Poza de produs poate diferi de produsul actual

Nr. Produs: [99411449](#)

Grundfos ALPHA2 high-efficiency circulator pumps are designed for circulating liquids in heating systems. The stainless-steel variant of the ALPHA2 is suitable for e.g. domestic hot-water systems. With an energy efficiency index (EEI) well below the ErP benchmark, it ensures substantial energy savings.

The AUTOADAPT function continuously adapts the pump performance to the actual heat demand, i.e. the size of the system and changing heat demand during the year.

The AUTOADAPT feature finds the setting that provides optimal comfort with minimal energy consumption and makes the commissioning fast, safe, and easy.

ALPHA2 also offers proportional-pressure, constant-pressure and constant-curve control modes.

With the automatic night setback function, the pump automatically changes between normal duty and night setback.

The changeover depends on the flow-pipe temperature controlled by the heating appliance.

In manual summer mode, the pump does not operate but starts automatically at low speed to avoid blocking the rotor as well as sticky valves and non-return valves.

Control modes and functions are selected using the buttons on the display. The LEDs indicate the operating status, actual power consumption in watt or actual flow rate in m³/h as well as warnings and alarms.

Furthermore, ALPHA2 is compatible with ALPHA Reader and the Grundfos GO Balance app, enabling installers to perform easy hydronic balancing of radiator- and underfloor-heating systems.

The design and chosen materials of the pump contribute to long life.

The pump is self-venting through the system, which contributes to easy commissioning.

The compact design, featuring a pump head with an integrated control box, fits into most common installations.

Pump and motor form an integral unit without a shaft seal.

The bearings are lubricated by the pumped liquid.

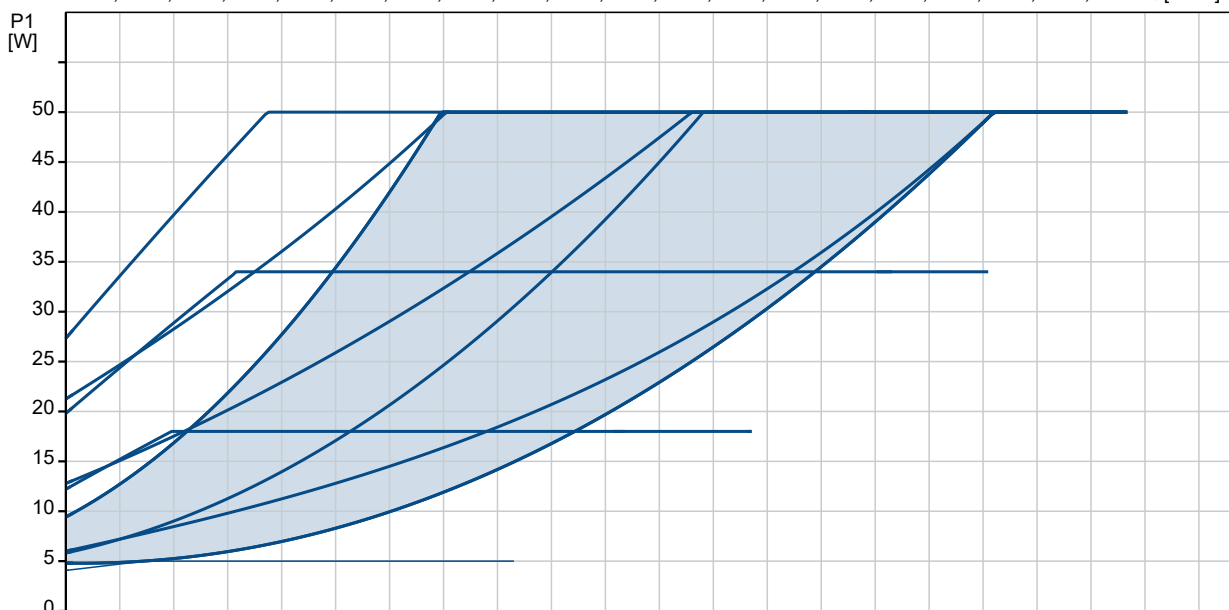
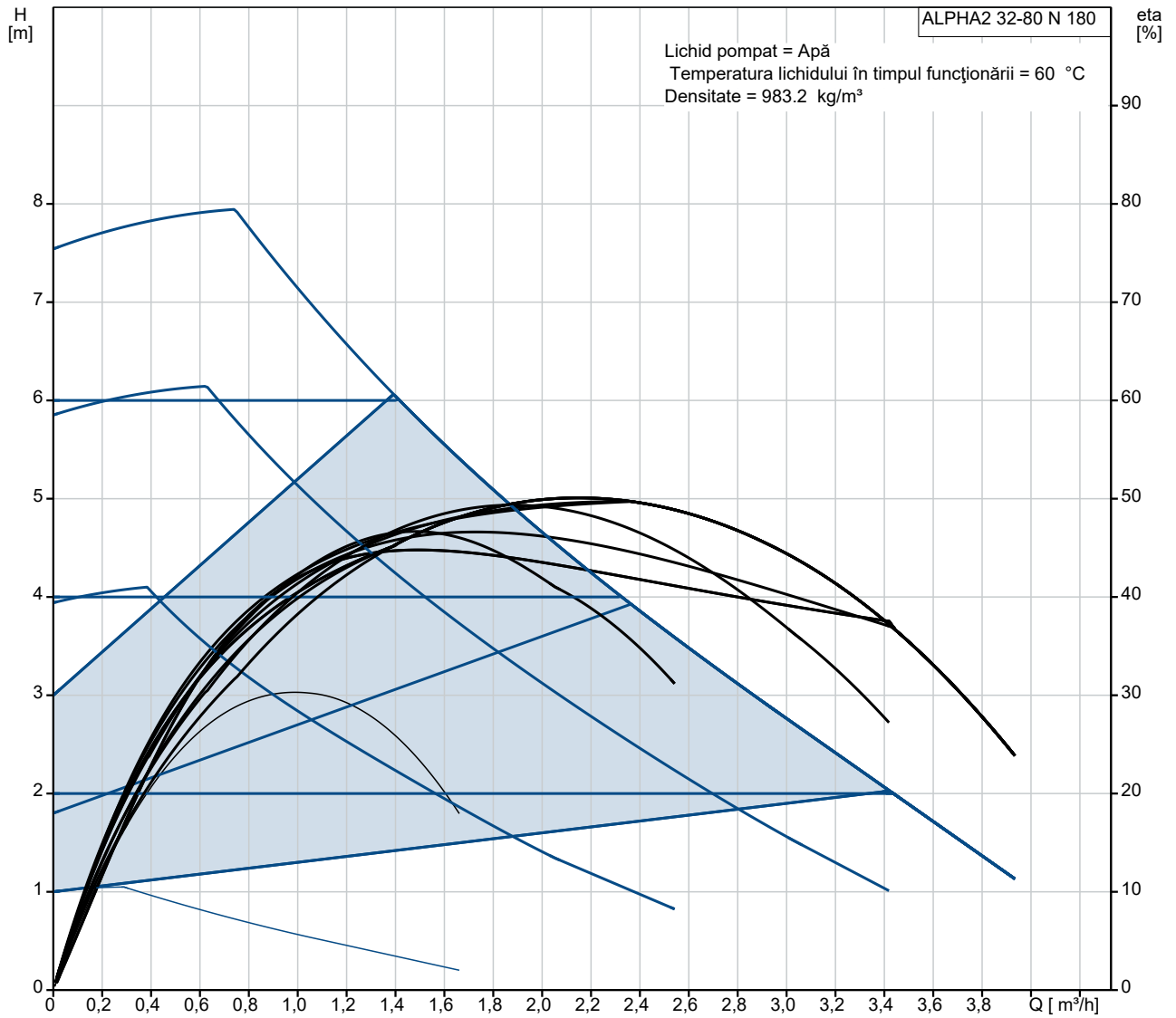
These constructional features ensure maintenance-free operation.

The active dry-running protection feature protects the pump against dry running during startup and normal operation. In case of a blocked rotor, the pump will continuously attempt to restart with highest possible torque.

Pump housings made of cast iron are electrocoated to improve corrosion resistance. The motor is a synchronous permanent-magnet/compact-stator motor characterised by high efficiency. The pump speed is controlled by an integrated frequency converter incorporated in the control box.

Insulating shells are supplied with pumps to minimise heat loss in heating systems.

99411449 ALPHA2 32-80 N 180



Descriere	Valori și tipuri
-----------	------------------

Informații generale:

Nume produs: ALPHA2 32-80 N 180

Cod produs: 99411449

Numărul EAN: 5713828680358

Preț:

Tehnic:

Înălțime de pompare max.: 80 dm

Clasa TF: 110

Aprobări pe etichetă: VDE,CE,EAC

Model: E

Materiale:

Corpul pompei (stator): Oțel inox

Corpul pompei (stator): EN 1.4308

Corpul pompei: ASTM 351 CF8

Rotor: PES 30%GF

Instalație:

Gama temperaturii ambientale: 0 .. 40 °C

Presiune de funcționare maximă: 10 bar

Conexiune conductă: G 2

Evaluare presiune: PN 10

Lungimea dintre porturi: 180 mm

Lichid:

Lichid pompat: Apă

Gama temperaturii lichidului: 0 .. 110 °C

Temperatura lichidului în timpul funcționării: 60 °C

Densitate: 983.2 kg/m³

Date electrice:

Putere de introdusă - P1: 3 .. 50 W

Frecvența rețelei electrice: 50 / 60 Hz

Tensiune nominală: 1 x 230 V

Curent consumat maxim: 0.04 .. 0.44 A

Grad de protecție (IEC 34-5):

Clasă de izolare (IEC 85):

Protecție motor: FĂRĂ

Protecție termică: ELEC

Control:

Automat noaptea: funcționare redusă automată pe timp de noapte inclusă

Poziția cutiei cu conexiuni: 6H

Altele:

Energie (EEI): 0.18

Greutate netă: 2.36 kg

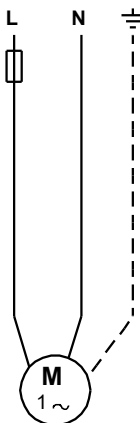
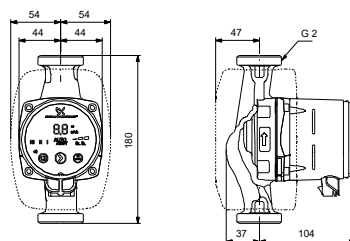
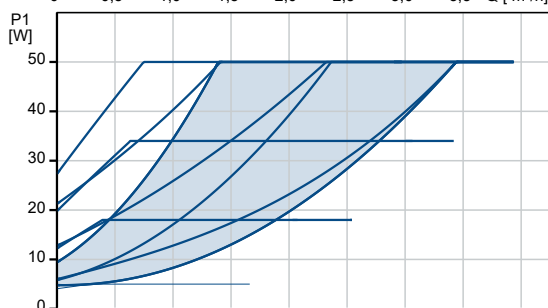
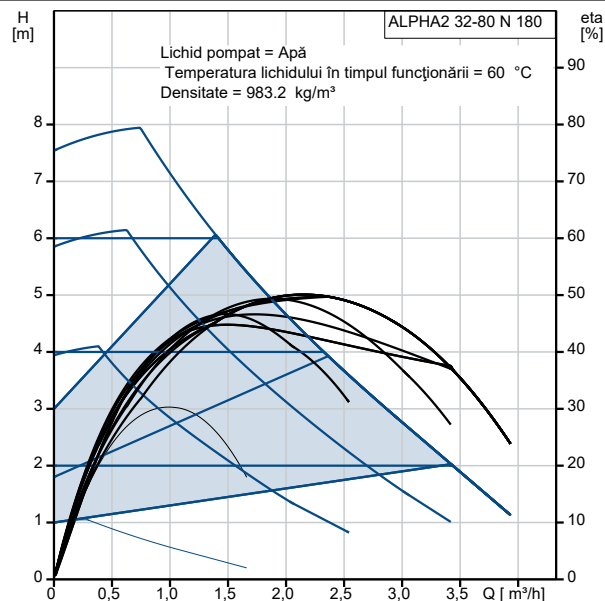
Greutate brută: 2.52 kg

Volum de livrare: 0.004 m³

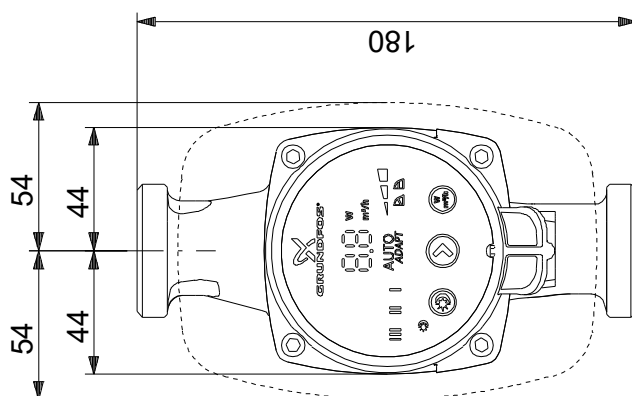
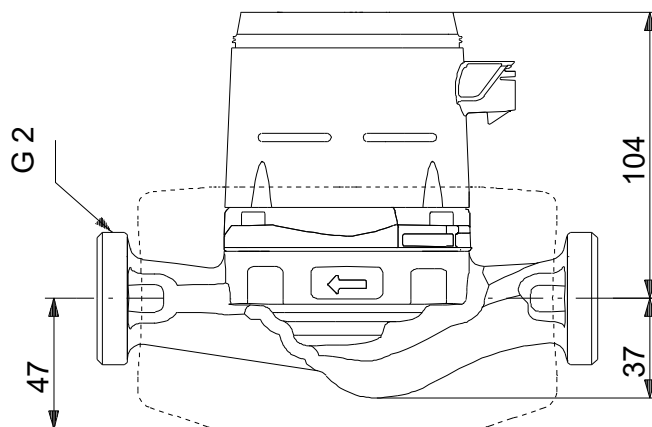
Danish VVS No.: 380463280

Nr. RSK suedez: 5790520

Finlandeză LVI nr.: 4615353

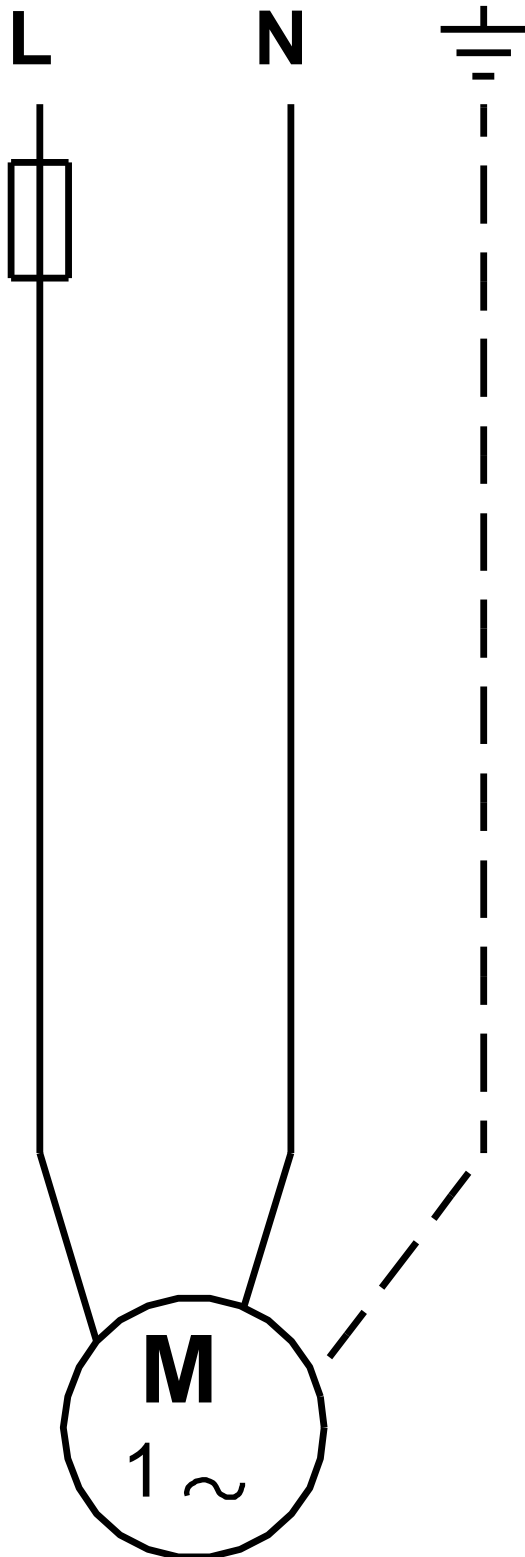


99411449 ALPHA2 32-80 N 180



Notă: Toate unitățile sunt în [mm] dacă nu sunt altele specificate.
Negare: Acest desen dimensional simplificat nu prezintă toate detaliile.

99411449 ALPHA2 32-80 N 180



Notă! Toate unitățile sunt în [mm] dacă nu sunt altele specificate.