

Destinatar

Firma
Referinta
Adresa
Phone
Fax
E-mail

Expeditor

Cod articol :

60191228

Articol:

FEKA FXV 20.11 T-NA

Tip de instalatie:

Wet - Pump only

Date pompa

Free passage : 50 mm
Max. immersion depth : 20 m
Temperatura min. fluid 0 °C
Temperatura max. fluid 50 °C

Date de functionare cerute

Debit :
Inaltime de pompare :
Fluid pompat : Apă
Temperatura fluid: 20 °C
Densitate 998.3 kg/m³
Vascozitate cinematica: 1.005 mm²/s
Presiune de vapori: 2.34 kPa

Date disponibile:

Debit :
Inaltime de pompare :

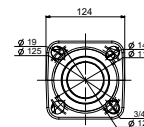
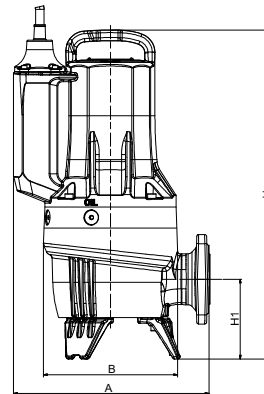
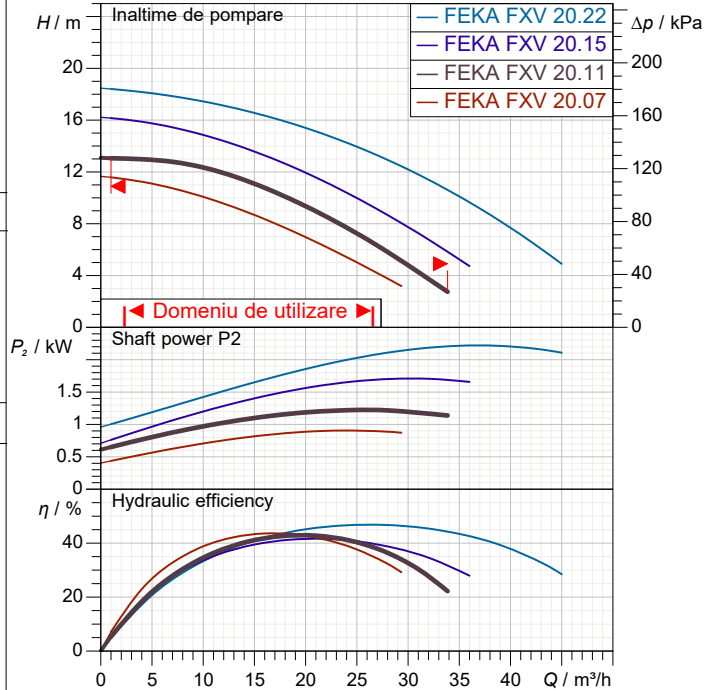
Materiale

Maner Fonta EN GJL 200
Pump body / motor Fonta EN GJL 200
Rotor Cast iron (EN GJL 250)
Etansare mec. completa pe partea pompei Sic/SIC-C
Etansare mec. completa pe partea motorului Carbon
Garnitura OR NBR
Arbore motor Stainless Steel AISI 431

Date motor

Marca : DAB
Putere nominala P2: 1.2 kW
Viteza nominala: 2870 1/min
Tensiune nominala : 3~ 400 V 50 Hz
Curent nominal : 2.9 A
Grad de protectie: IP 68

Curve tolerance according to ISO 9906



Masa 35 kg Accessory weight :

Dimensiuni de gabarit mm

A	307				
B	211				
DN1	50				
GAS	Rp 2"				
H	464				
H1	104				

Racorduri pompa:

Partea cu aspiratia: --
Partea cu refularea: Rp 2" - DN 50 PN10/6



CURBELOR CARACTERISTICE

07/30/2021

Pagina 2 / 3

DAB PUMPS S.p.A.
Via Marco Polo, 14 - 35035 Mestrino (PD), Italy
Tel. +39 049 5125000 - Fax +39 049 5125950
www.dabpumps.com

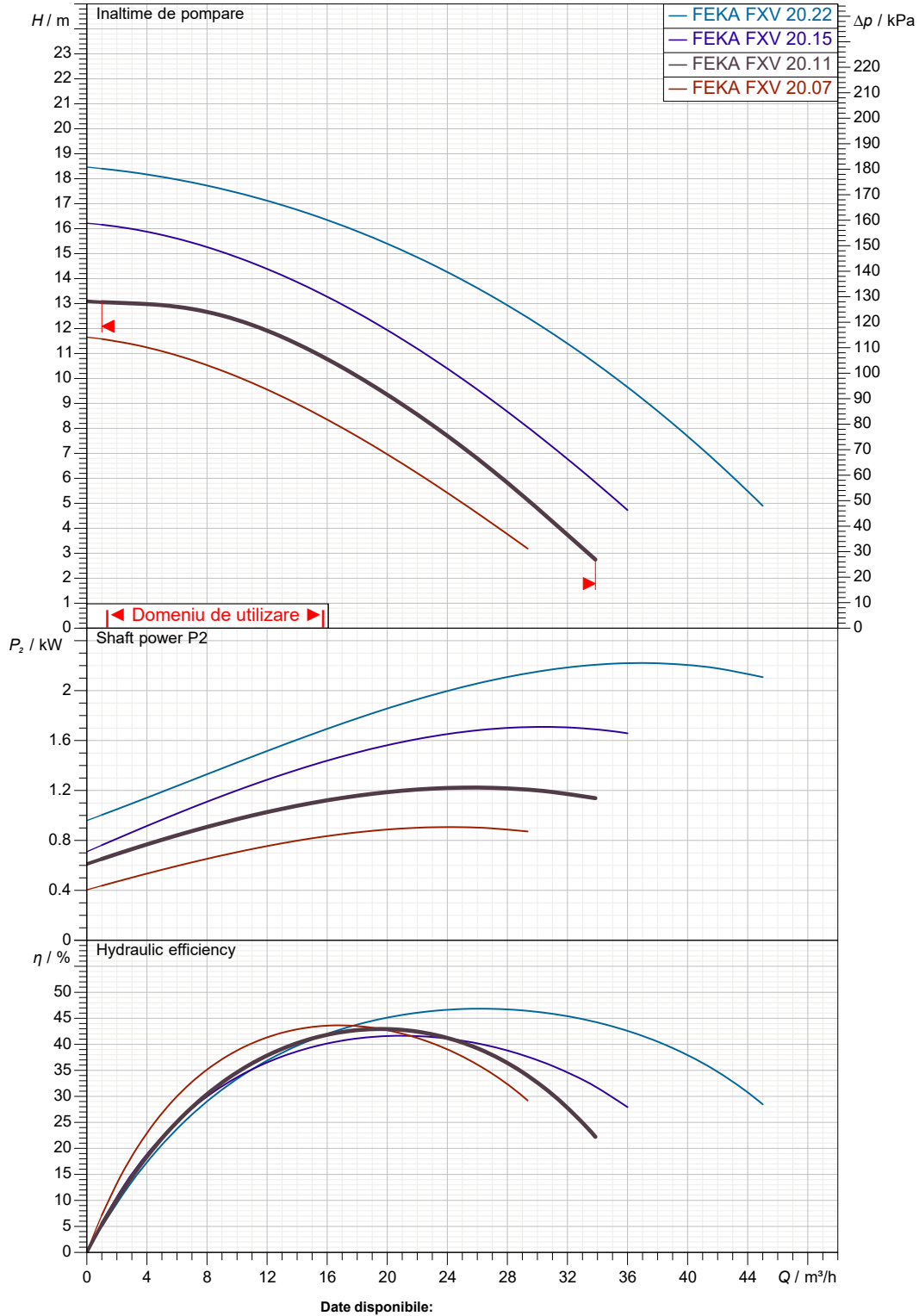
Destinatar

Expeditor

Firma
Referinta
Adresa
Phone
Fax
E-mail

FEKA FXV 20.11 T-NA

Curve tolerance according to ISO 9906



Partea cu aspiratia:

Partea cu refularea:
Rp 2" - DN 50 PN10/6
--

Debit :

Înăltime de pompare :

Viteza nominala:
2870 1/min

MAIN_PROJECT_TITLE

BUSINESS_PROCESS_ID

OWNER_

ISSUE_DATE



DESEN DIMENSIONAL

07/30/2021

Pagina 3 / 3

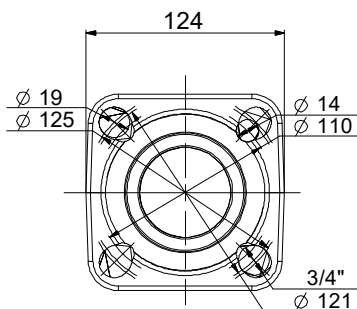
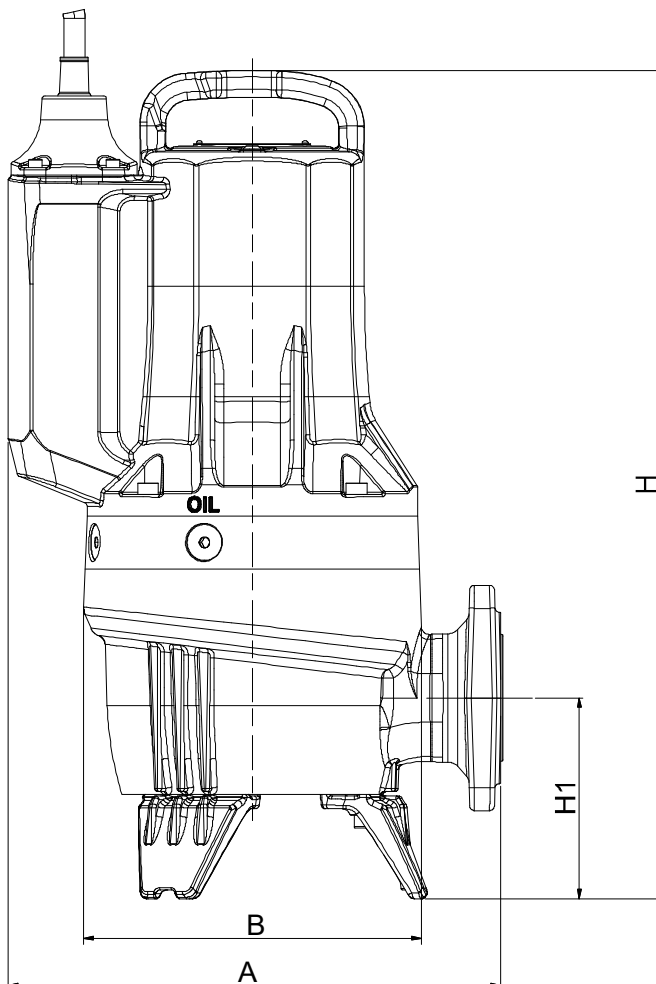
DAB PUMPS S.p.A.
Via Marco Polo, 14 - 35035 Mestrino (PD), Italy
Tel. +39 049 5125000 - Fax +39 049 5125950
www.dabpumps.com

Destinatar

Expeditor

Firma
Referinta
Adresa
Phone
Fax
E-mail

FEKA FXV 20.11 T-NA



Dimensiuni in mm

1	A	307
2	B	211
3	DN1	50
4	GAS	Rp 2"
5	H	464
6	H1	104
7		
8		
9		
10		
11		
12		

Racorduri pompa:

Aspiratie

Refulare
Rp 2" - DN 50 PN10/6
--

MAIN_PROJECT_TITLE

BUSINESS_PROCESS_ID

OWNER

ISSUE_DATE