

Destinatar

Firma
Referinta
Adresa
Phone
Fax
E-mail

Expeditor

Cod articol :

60196309

Articol:

NOVABOX 30/300.1 M 40th

Date pompa

Presiune nominala:
Temperatura min. fluid
Temperatura max. fluid 50 °C
Temperatura max. ambienta

Date de functionare cerute

Debit :
Inaltime de pompa :
Fluid pompat : Apă
Temperatura fluid: 20 °C
Densitate 998.3 kg/m³
Vascozitate cinematica: 1.005 mm²/s
Presiune de vapori: 2.34 kPa

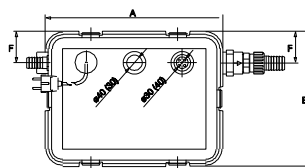
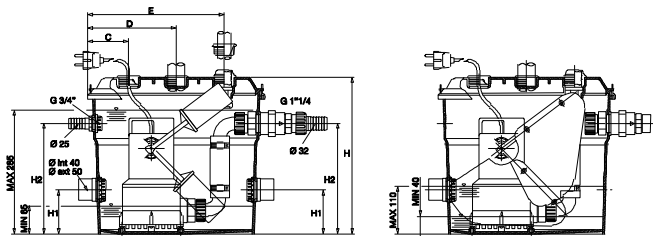
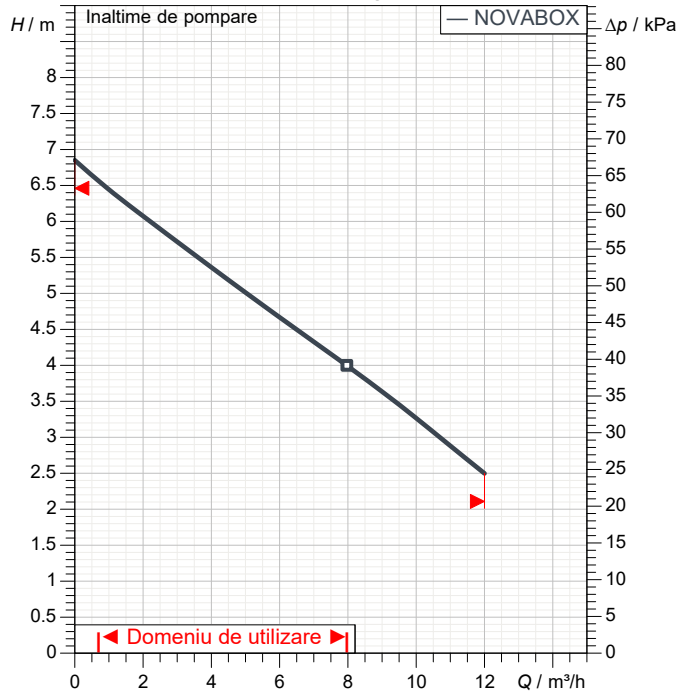
Date disponibile:

Debit :
Inaltime de pompa :

Materiale

Cisterna Tecnopolimer
Unions Tecnopolimer
Fitting Tecnopolimer
Pipe Cauciuc
Non-return valve OR Gasket EPDM
Non-return valve Tecnopolimer
Rotor Tecnopolimer

Curve tolerance according to ISO 9906



Date motor

Masa 9.2 kg

Marca : DAB
Putere nominala P2: 0.22 kW
Tensiune nominala : 1~ 230 V 50 Hz
Curent nominal : 1.5 A
Number of poles : 2
Viteza nominala: 2900 1/min
Grad de protectie: IP 68

Dimensiuni de gabarit mm

Dimensiune	Valoare (mm)
A	407
B	309
C	94
D	204
E	314
H	360
H1	100
H2	254

Racorduri pompa:

Partea cu aspiratia: /
Partea cu refularea: 1" 1/4 G / --



CURBELOR CARACTERISTICE

10/21/2021

Pagina 2 / 3

DAB PUMPS S.p.A.
Via Marco Polo, 14 - 35035 Mestrino (PD), Italy
Tel. +39 049 5125000 - Fax +39 049 5125950
www.dabpumps.com

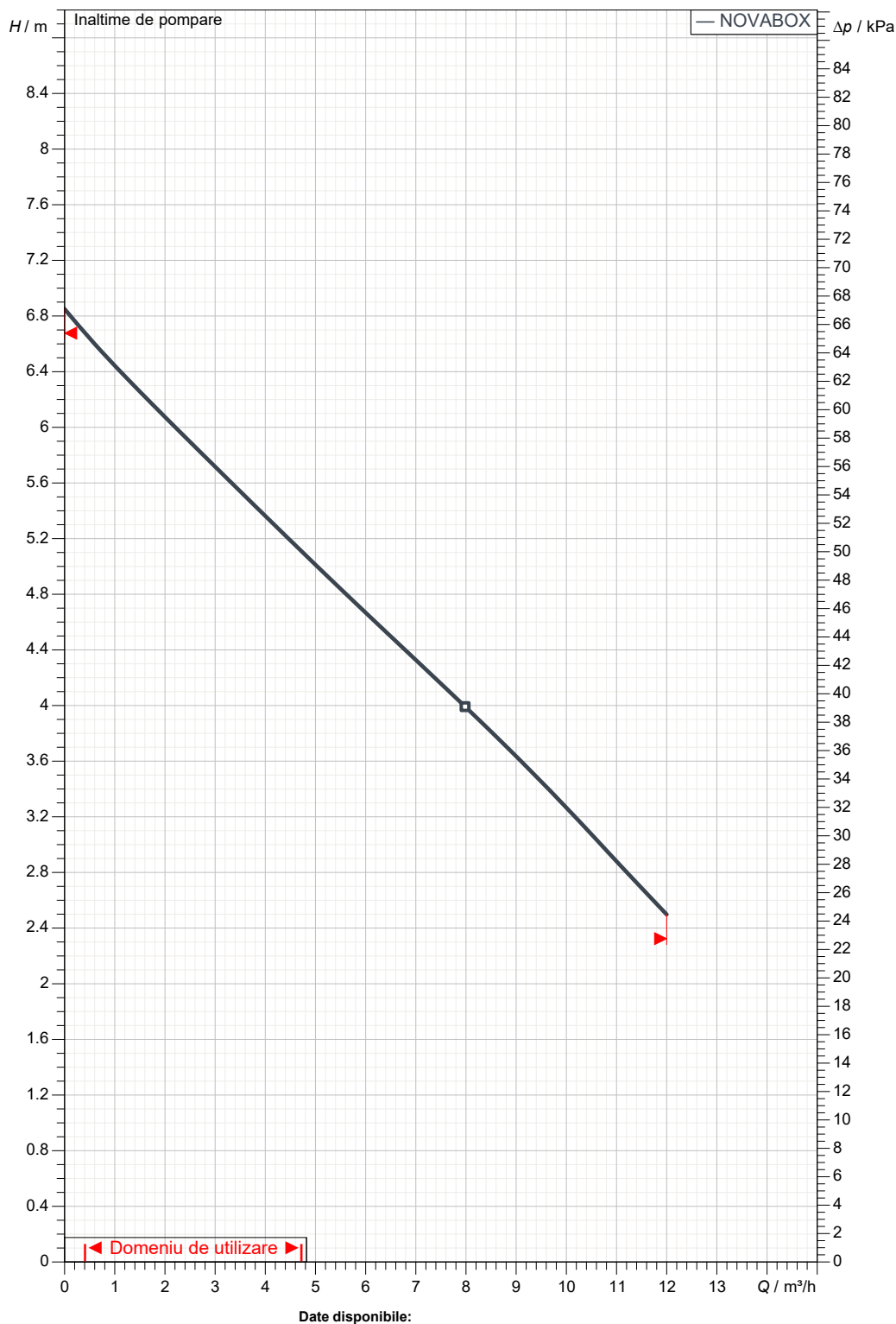
Destinatar

Expedito

Firma
Referinta
Adresa
Phone
Fax
E-mail

NOVABOX 30/300.1 M 40th

Curve tolerance according to ISO 9906



Partea cu aspiratia:

Partea cu refularea:

Debit :

Înaltime de pompare :

Viteza nominala:

1" 1/4 G
--

2900 1/min

MAIN_PROJECT_TITLE

BUSINESS_PROCESS_ID

OWNER_

ISSUE_DATE



DESEN DIMENSIONAL

10/21/2021

Pagina 3 / 3

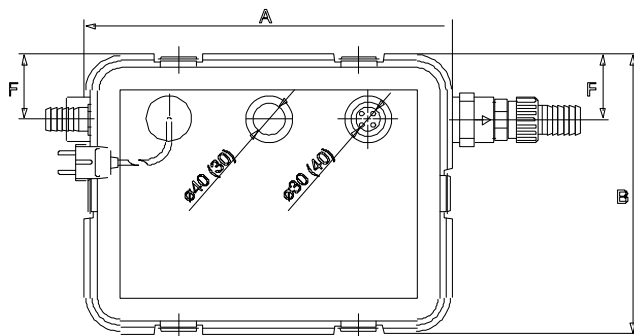
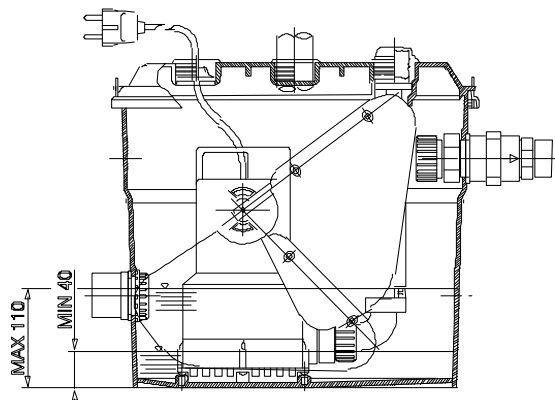
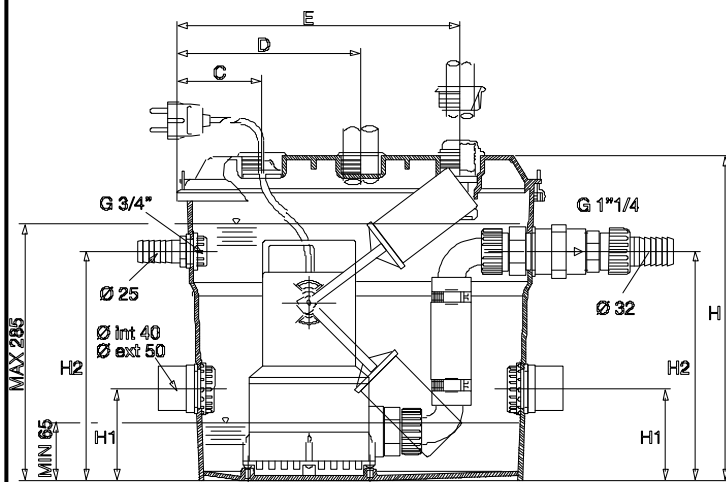
DAB PUMPS S.p.A.
Via Marco Polo, 14 - 35035 Mestrino (PD), Italy
Tel. +39 049 5125000 - Fax +39 049 5125950
www.dabpumps.com

Destinatar

Expeditor

Firma
Referinta
Adresa
Phone
Fax
E-mail

NOVABOX 30/300.1 M 40th



Dimensiuni in mm

1	A	407
2	B	309
3	C	94
4	D	204
5	E	314
6	H	360
7	H1	100
8	H2	254
9		
10		
11		
12		

Racorduri pompa:

Aspiratie

Refulare
1" 1/4 G
--

MAIN_PROJECT_TITLE

BUSINESS_PROCESS_ID

OWNER

ISSUE_DATE