

### Destinatar

Firma  
Referinta  
Adresa  
Phone  
Fax  
E-mail

### Expeditor

### Cod articol :

60195073

### Articol:

NOVA 180 M-A 40th - 5m

### Date pompa

Free passage : 5 mm  
Aspiration level minimum : 77 mm  
Max. immersion depth : 7 m  
Temperatura min. fluid : 0 °C  
Temperatura max. fluid : 35 °C

### Date de functionare cerute

Debit :  
Înaltime de pompare :  
Fluid pompat : Apă  
Temperatura fluid: 20 °C  
Densitate : 998.3 kg/m³  
Vascozitate cinematica: 1.005 mm²/s  
Presiune de vapori: 2.34 kPa

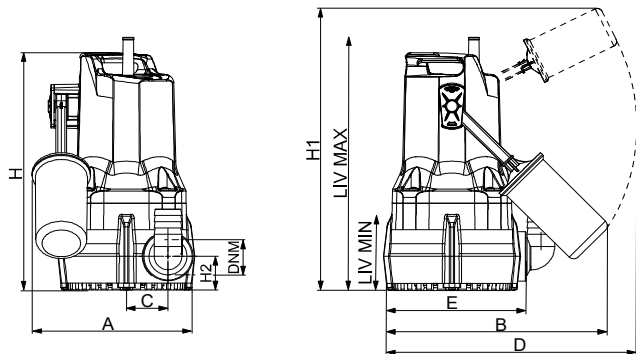
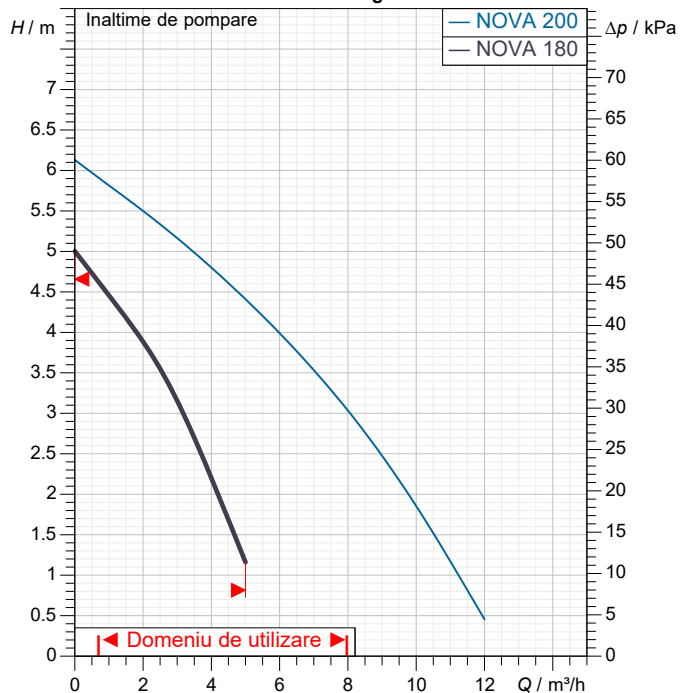
### Date disponibile:

Debit :  
Înaltime de pompare :

### Materiale

Corp pompa : Tecnopolimer  
Rotor : Tecnopolimer  
Garnitura OR : Cauciuc NBR  
Arbore rotor : Stainless Steel AISI 431  
Grila de aspiratie : Tecnopolimer  
Calota motor : AISI 304 X5 Cr Ni 1810 UNI 6900/71  
Plutitor : Tecnopolimer

### Curve tolerance according to ISO 9906



### Date motor

Marca : DAB  
Putere nominala P2: 0.2 kW  
Tensiune nominala : 1~ 230 V 50 Hz  
Curent nominal : 0.9 A  
Grad de protecție: IP 68  
Cable length m : 5

Masa 4.6 kg

### Dimensiuni de gabarit mm

|     |         |         |     |
|-----|---------|---------|-----|
| A   | 180     | H2      | 38  |
| B   | 247     | LIV MAX | 285 |
| C   | 46      | LIV MIN | 77  |
| D   | 296     |         |     |
| DNM | 1"1/4 G |         |     |
| E   | 158     |         |     |
| H   | 268     |         |     |
| H1  | 345     |         |     |

### Racorduri pompa:

Partea cu aspiratia: /  
Partea cu refularea: 1" 1/4 G / --



# CURBELOR CARACTERISTICE

12/21/2021

Pagina 2 / 3

DAB PUMPS S.p.A.  
Via Marco Polo, 14 - 35035 Mestrino (PD), Italy  
Tel. +39 049 5125000 - Fax +39 049 5125950  
www.dabpumps.com

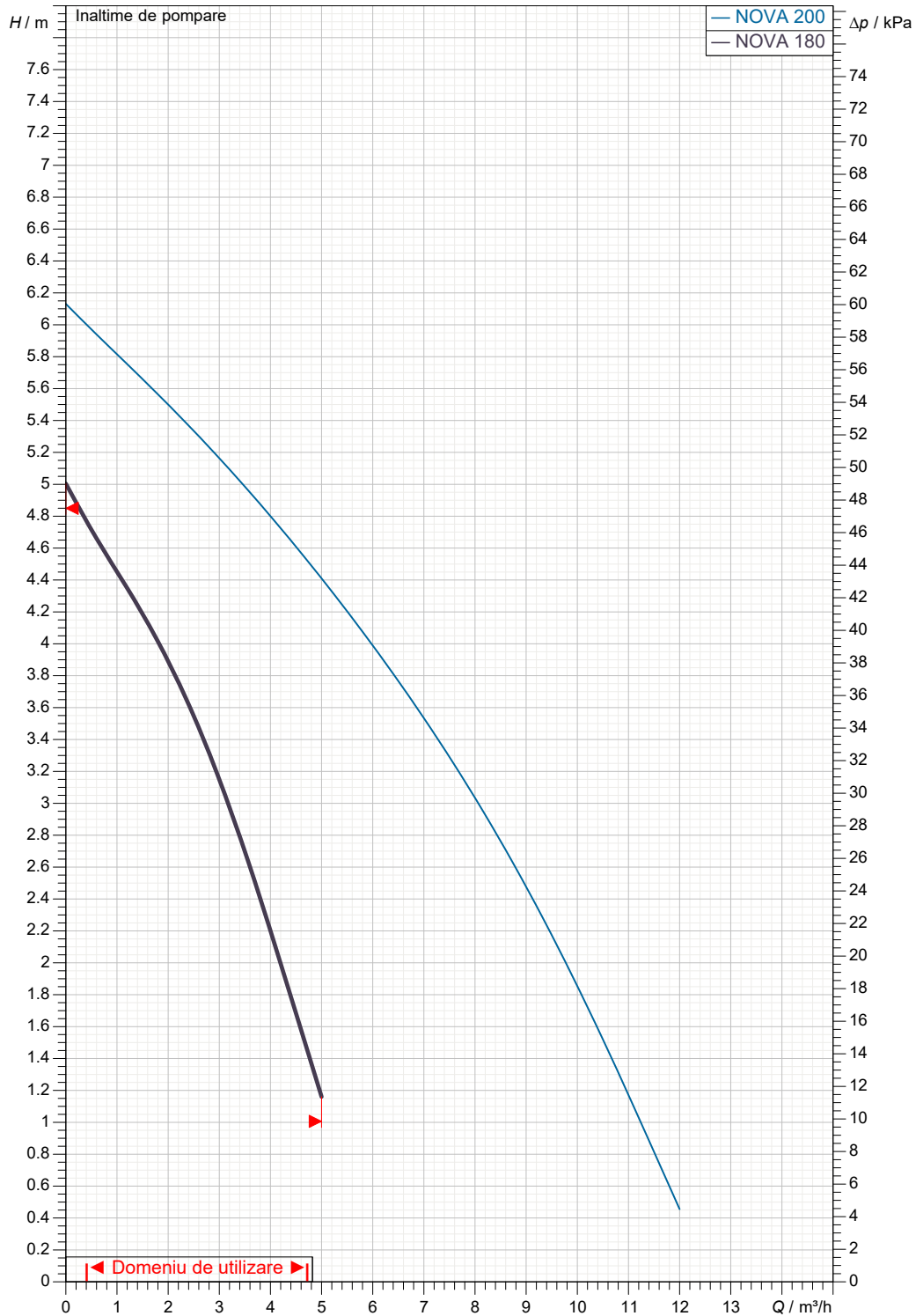
Destinatar

Expeditor

Firma  
Referinta  
Adresa  
Phone  
Fax  
E-mail

## NOVA 180 M-A 40th - 5m

Curve tolerance according to ISO 9906



Date disponibile:

Partea cu aspiratia:

Partea cu refularea:

Debit :

Înaltime de pompare :

Viteza nominala:

1" 1/4 G

--

2900 1/min

MAIN\_PROJECT\_TITLE

BUSINESS\_PROCESS\_IC

OWNER\_

ISSUE\_DATE



# DESEN DIMENSIONAL

12/21/2021

Pagina 3 / 3

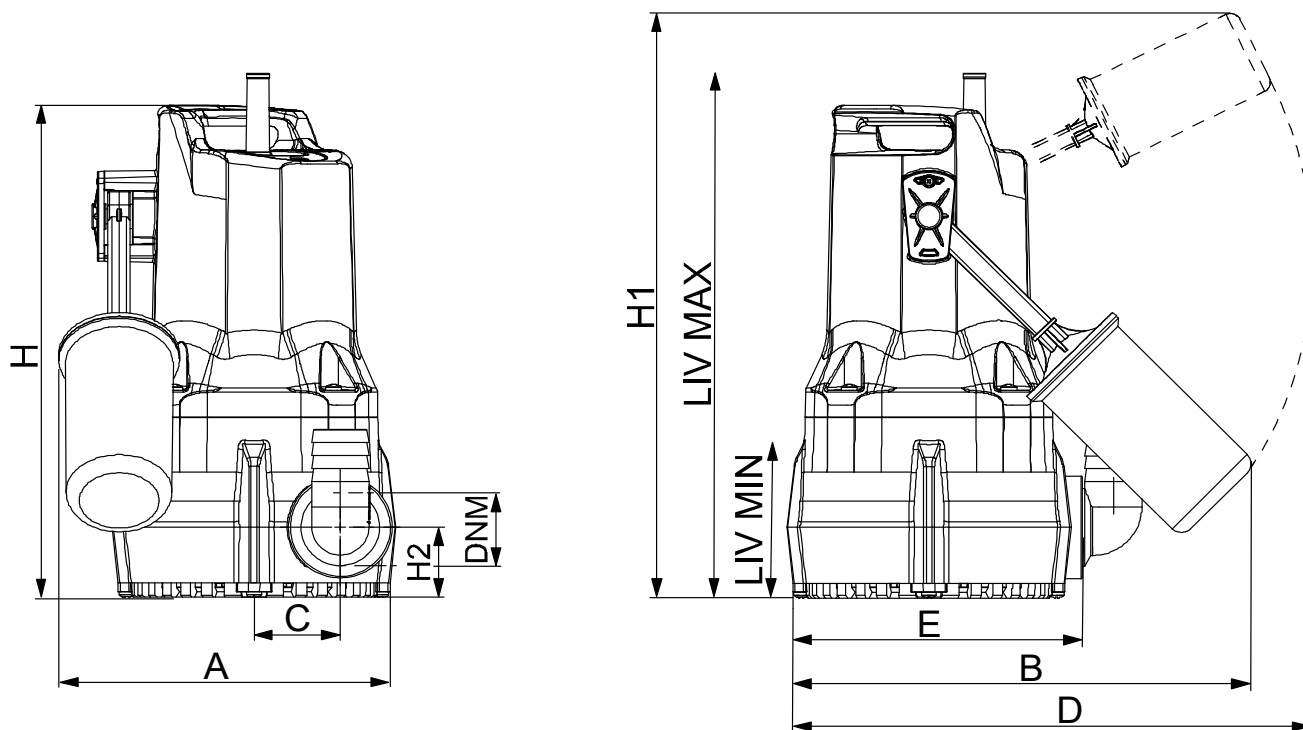
DAB PUMPS S.p.A.  
Via Marco Polo, 14 - 35035 Mestrino (PD), Italy  
Tel. +39 049 5125000 - Fax +39 049 5125950  
www.dabpumps.com

Destinatar

Expeditor

Firma  
Referinta  
Adresa  
Phone  
Fax  
E-mail

## NOVA 180 M-A 40th - 5m



Dimensiuni in mm

|    |         |         |
|----|---------|---------|
| 1  | A       | 180     |
| 2  | B       | 247     |
| 3  | C       | 46      |
| 4  | D       | 296     |
| 5  | DNM     | 1"1/4 G |
| 6  | E       | 158     |
| 7  | H       | 268     |
| 8  | H1      | 345     |
| 9  | H2      | 38      |
| 10 | LIV MAX | 285     |
| 11 | LIV MIN | 77      |
| 12 |         |         |

Racorduri pompa:

Aspiratie  
  
Refulare  
1" 1/4 G  
--

MAIN\_PROJECT\_TITLE

BUSINESS\_PROCESS\_ID

OWNER

ISSUE\_DATE