

Receiver

From

Company
Reference
Address
Phone
Fax
E-mail

Drainage station

FEKAFOS 280 2"

Item n° :

60162044

Pump type

DRENAG FX 15.22 T-NA 400 50 Hz

Item n° :

60191277

Pump data

Pressure rating : --
Min. fluid temperature : 0 °C
Max. fluid temperature : 45 °C
Max. Ambient temperature :

Requested data

Flow :
Head :
Fluid : Water
Fluid Temperature : 20 °C
Density : 998 kg/m³
Kinematic viscosity : 1 mm²/s
Vapor pressure : 0,33938 psi

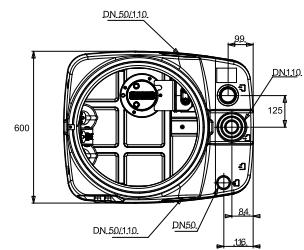
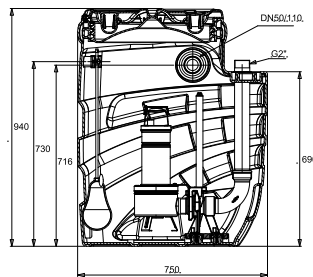
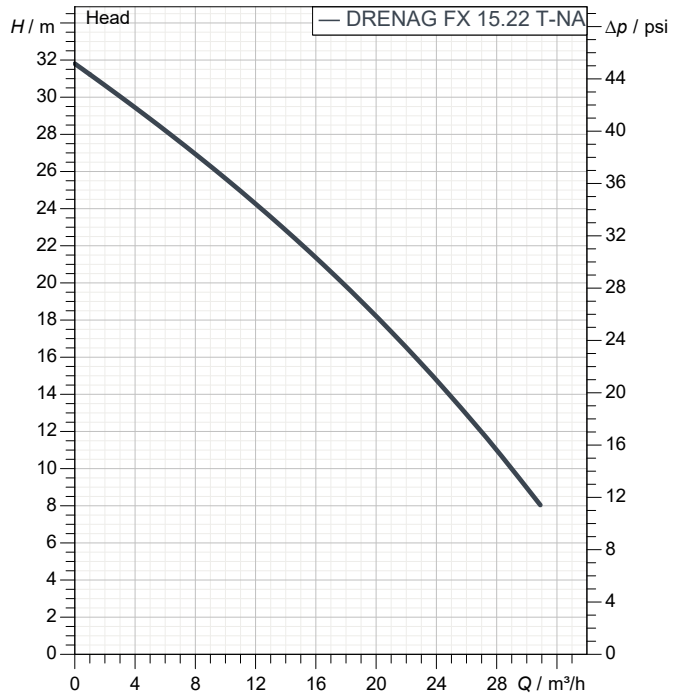
Hydraulic data (duty point)

Flow :
Head :

Materials

Tank High density polyethylene LLDPE

Curve tolerance according to ISO 9906



Tank weight : 40,5 kg

Motor data

Motor brand : DAB
Nominal power P2 : 2,3 kW
Rated speed : 2.870 1/min
Rated voltage : 3~ 400 V 50 Hz
Nominal current : 5,2 A
Degree of protection : IP 68

Dimensions in

mm

Pump connection

Suction side : DN 50/110
Ventilation : DN 50
Discharge side : 2" G



PERFORMANCE CURVES

2023-07-13

Page 2 / 3

DAB PUMPS S.p.A.
Via Marco Polo, 14 - 35035 Mestrino (PD), Italy
Tel. +39 049 5125000 - Fax +39 049 5125950
www.dabpumps.com

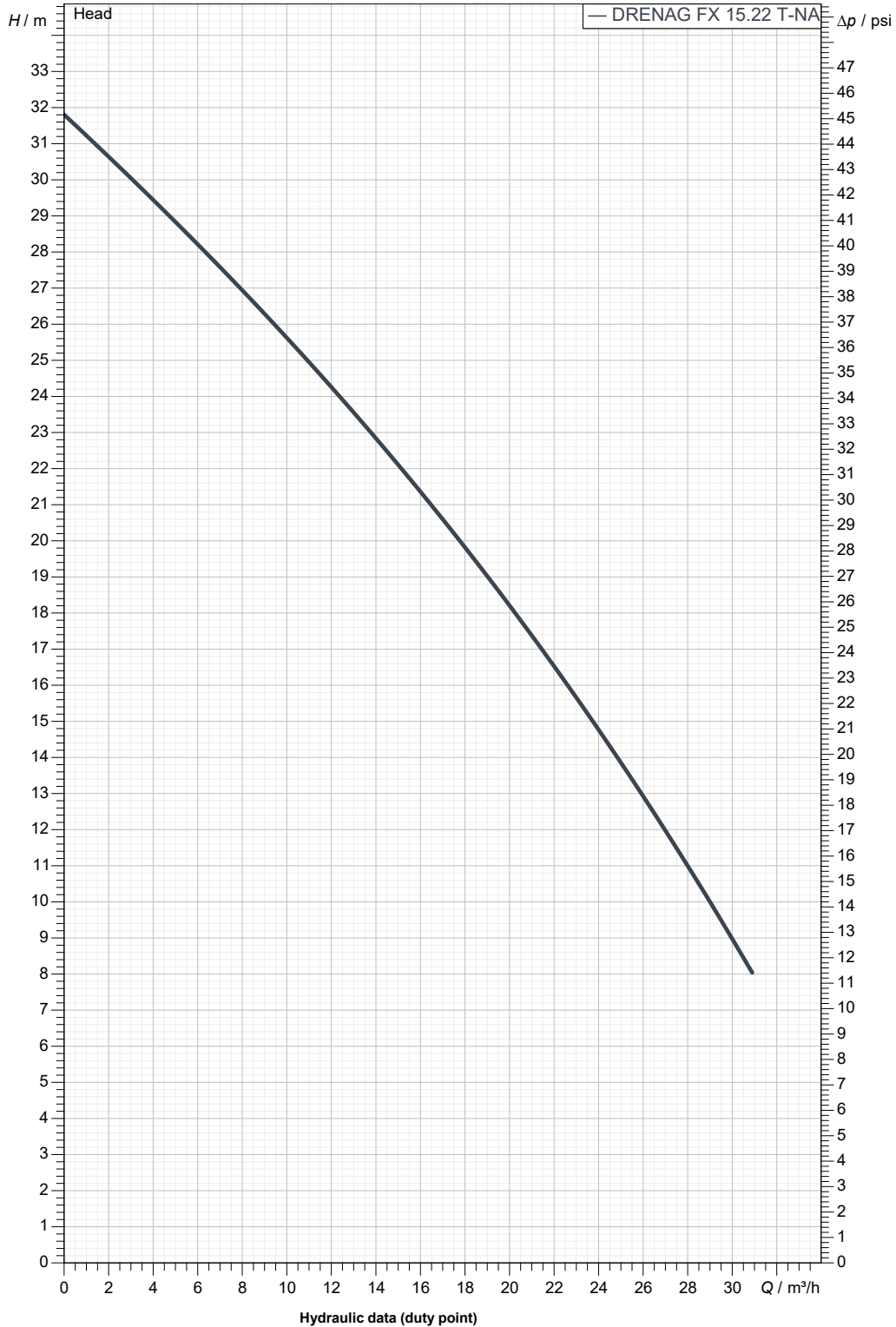
Receiver

From

Company
Reference
Address
Phone
Fax
E-mail

FEKAFOS 280 2"

Curve tolerance according to ISO 9906



Suction side :
DN 50/110
--

Discharge side :
2" G
--

Flow :

Head :

Rated speed :
2.870 1/min

MAIN_PROJECT_TITLE

BUSINESS_PROCESS_IT

OWNER_

ISSUE_DATE
2023-07-13



DIMENSIONAL DRAWING

DAB PUMPS S.p.A.
Via Marco Polo, 14 - 35035 Mestrino (PD), Italy
Tel. +39 049 5125000 - Fax +39 049 5125950
www.dabpumps.com

2023-07-13

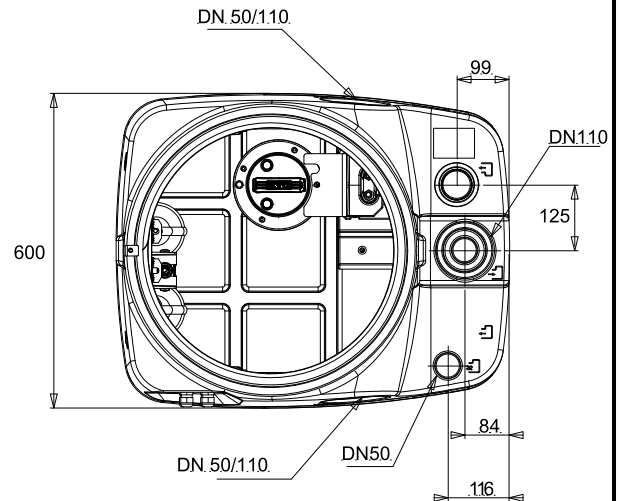
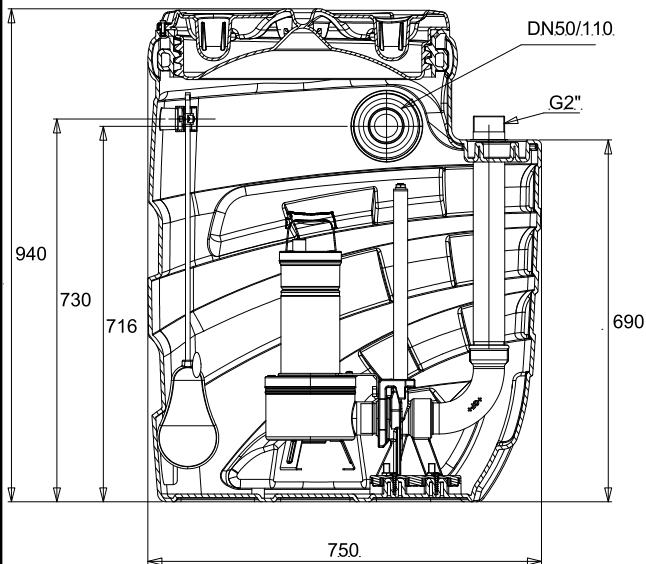
Page 3 / 3

Receiver

From

Company
Reference
Address
Phone
Fax
E-mail

FEKAFOS 280 2"



Dimensions in mm						Pump connection
1						Suction
2						DN 50/110
3						--
4						Discharge
5						2" G
6						--
7						
8						
9						
10						
11						

MAIN_PROJECT_TITLE	BUSINESS_PROCESS_ID	OWNER	ISSUE_DATE 2023-07-13
--------------------	---------------------	-------	--------------------------