

Destinatar

Firma
Referinta
Adresa
Phone
Fax
E-mail

Expeditor

Cod articol :

60122691

Articol:

FEKA BVP 750 M-A

Date pompa

Free passage : 38 mm
Presiune nominala:
Temperatura min. fluid 0 °C
Temperatura max. fluid 35 °C
Temperatura max. ambianta

Date de functionare cerute

Debit :
Inaltime de pompare :
Fluid pompat : Apă
Temperatura fluid: 20 °C
Densitate 998,3 kg/m³
Vascozitate cinematica: 1,005 mm²/s
Presiune de vapori:

Date disponibile:

Debit :
Inaltime de pompare :

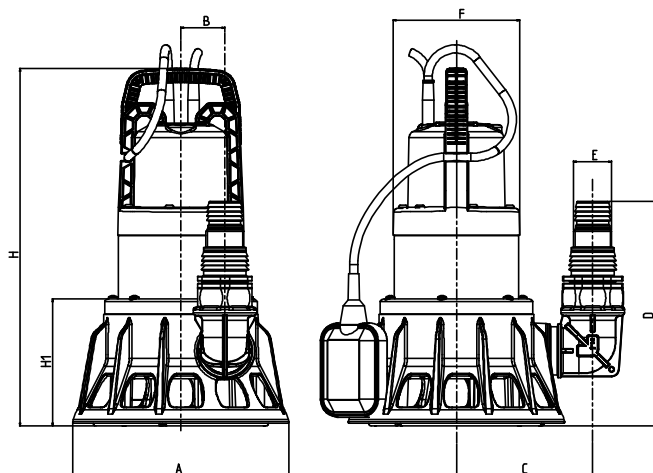
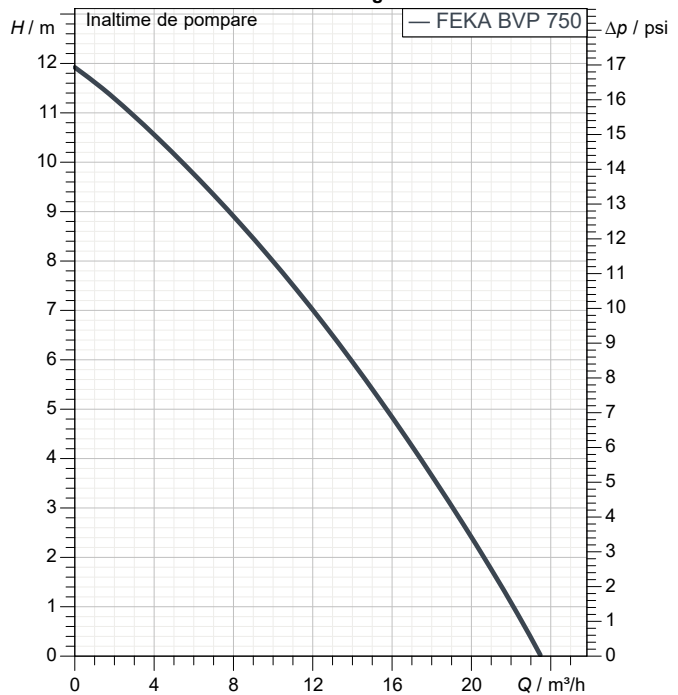
Materiale

Corp pompa Tecnopolimer
Rotor Tecnopolimer
Arbore motor AISI 416 X12 CrS 13 UNI EN 10088-1
Calota motor Otel inox AISI 304
V-RING NBR
Garnitura OR NBR 70
Base plate Tecnopolimer

Date motor

Marca : DAB
Putere nominala P2: 0,75 kW
Viteza nominala: 2.800 1/min
Tensiune nominala : 1~ 220-240 V 50 Hz
Curent nominal : 4,6 A
Grad de protectie: IP X8

Curve tolerance according to ISO 9906



Masa 8 kg

Dimensiuni de gabarit mm

A	240				
B	49				
C	150				
D	250				
E	40				
F	140				
H	400				
H1	142				

Racorduri pompa:

Partea cu aspiratia: /
Partea cu refularea: 1" 1/2 G / --

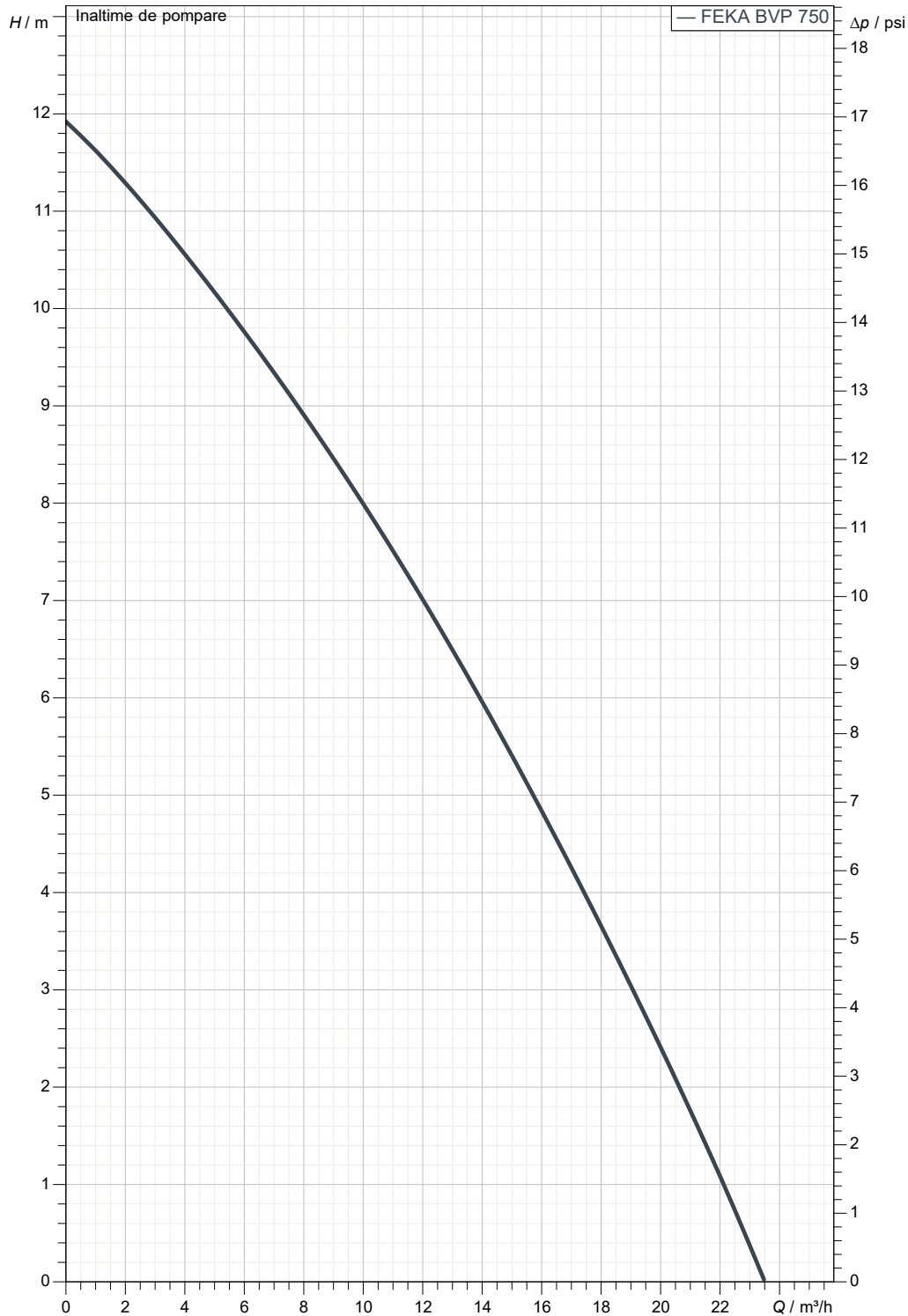
Destinatari

Expeditor

 Firma
 Referinta
 Adresa
 Phone
 Fax
 E-mail

FEKA BVP 750 M-A

Curve tolerance according to ISO 9906



Date disponibile:

Partea cu aspiratia:

Partea cu refularea:

1" 1/2 G

--

Debit :

Înaltime de pompare :

Viteza nominala:

2.800 1/min

MAIN_PROJECT_TITLE

BUSINESS_PROCESS_ID

OWNER_

ISSUE_DATE



DESEN DIMENSIONAL

02/25/2021

Pagina 3 / 3

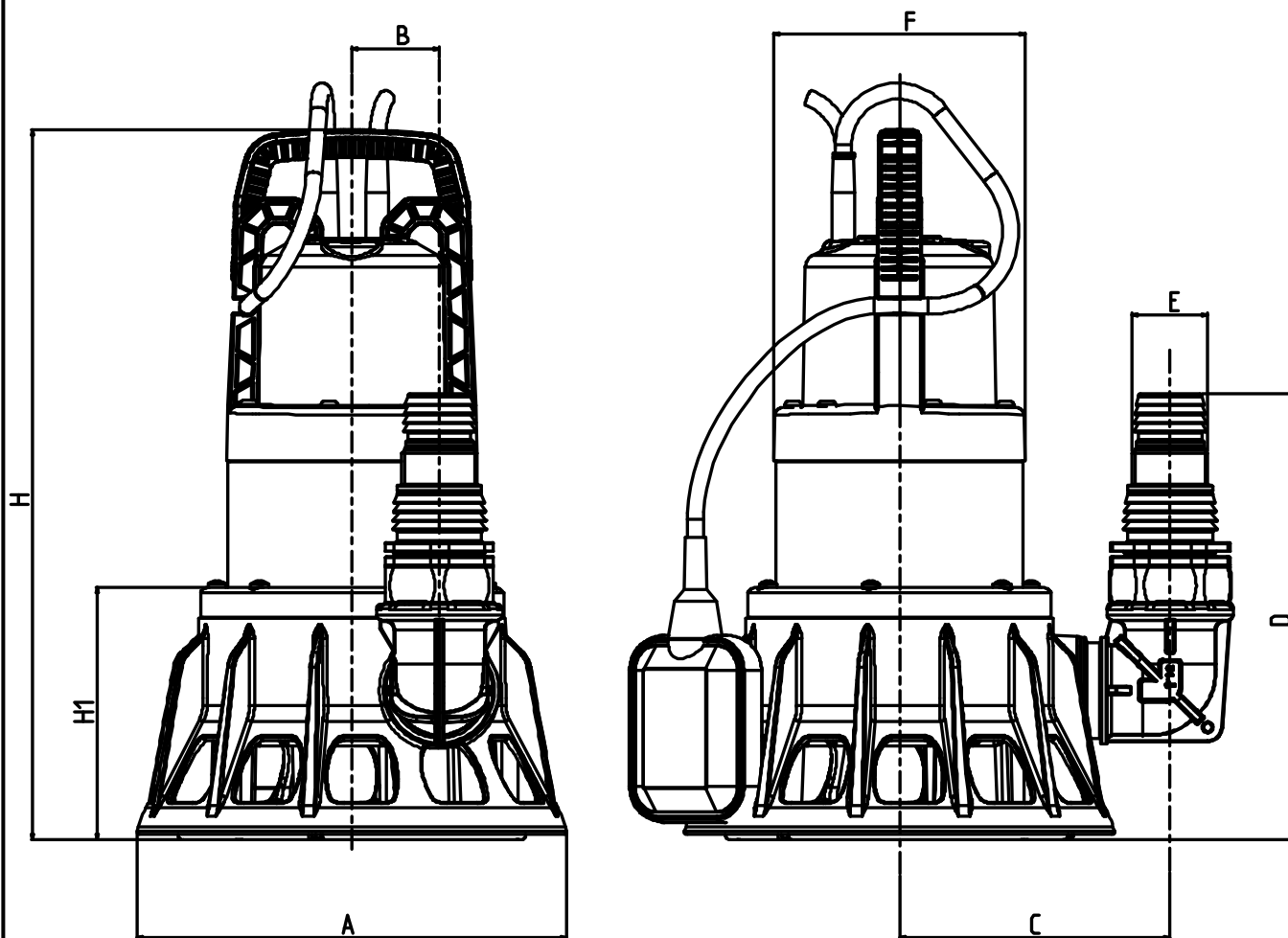
DAB PUMPS S.p.A.
Via Marco Polo, 14 - 35035 Mestrino (PD), Italy
Tel. +39 049 5125000 - Fax +39 049 5125950
www.dabpumps.com

Destinatar

Expeditor

Firma
Referinta
Adresa
Phone
Fax
E-mail

FEKA BVP 750 M-A



Dimensiuni in mm

1	A	240
2	B	49
3	C	150
4	D	250
5	E	40
6	F	140
7	H	400
8	H1	142
9		
10		
11		
12		

Racorduri pompa:

Aspiratie

Refulare

1" 1/2 G

--

MAIN_PROJECT_TITLE

BUSINESS_PROCESS_ID

OWNER_

ISSUE_DATE