

**Receiver**

**From**

Company  
Reference  
Address  
Phone  
Fax  
E-mail

**Item n° :** 60172219  
**Customer pos. no.:**

**Model :**  
NOVAIR 200 M-NA 10m cable

**Pump data**

Pressure rating :  
Min. fluid temperature : 0 °C  
Max. fluid temperature : 35 °C  
Max. Ambient temperature :

**Requested data**

Flow :  
Head :  
Fluid : Water  
Fluid Temperature : 20 °C  
Density : 998.3 kg/m³  
Kinematic viscosity : 1.005 mm²/s  
Vapor pressure : 2.34 kPa

**Hydraulic data (duty point)**

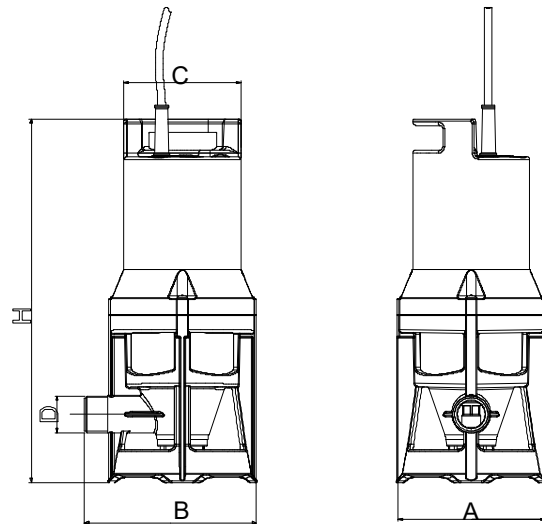
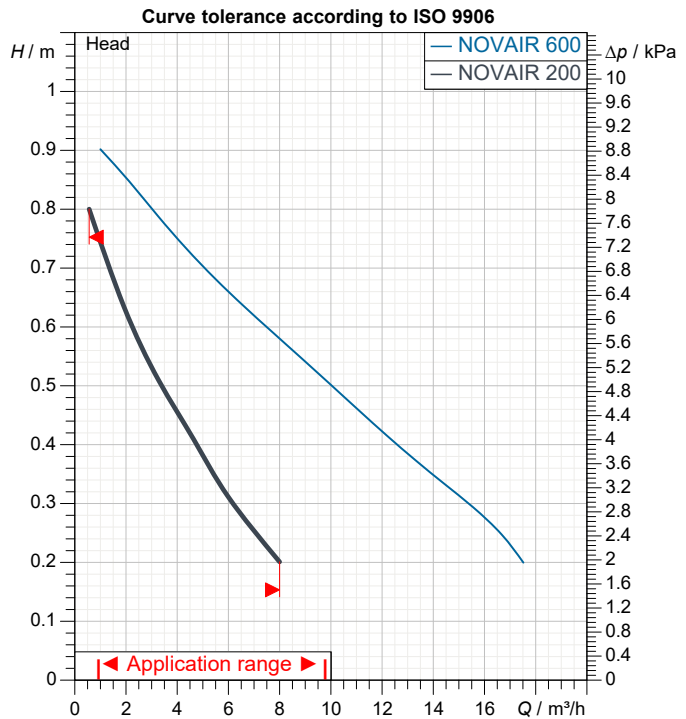
Flow :  
Head :

**Materials**

Pump body : Technopolymer  
Impeller : Technopolymer  
O-Ring : NBR 70  
Motor shaft : AISI 416  
Ceramic bushing : AISI 303 + Ceramic  
Motor casing : Stainless Steel (AISI 304)  
Radial seal : NBR 70

**Motor data**

Motor brand : DAB  
Nominal power P2 : 0.18 kW  
Rated voltage : 1~ 220-240 V  
Nominal current : 1.4 A  
Number of poles : 2  
Rated speed : 2850 1/min  
Degree of protection : IP 68



**Weight :** 3.5 kg

**Dimensions in mm**

A	130.5				
B	158				
C	Ø 106				
D	1" G				
H	329.5				

**Pump connection**

Suction side : /  
Discharge side : /



# PERFORMANCE CURVES

2023-03-06

Page 2 / 3

DAB PUMPS S.p.A.  
Via Marco Polo, 14 - 35035 Mestrino (PD), Italy  
Tel. +39 049 5125000 - Fax +39 049 5125950  
www.dabpumps.com

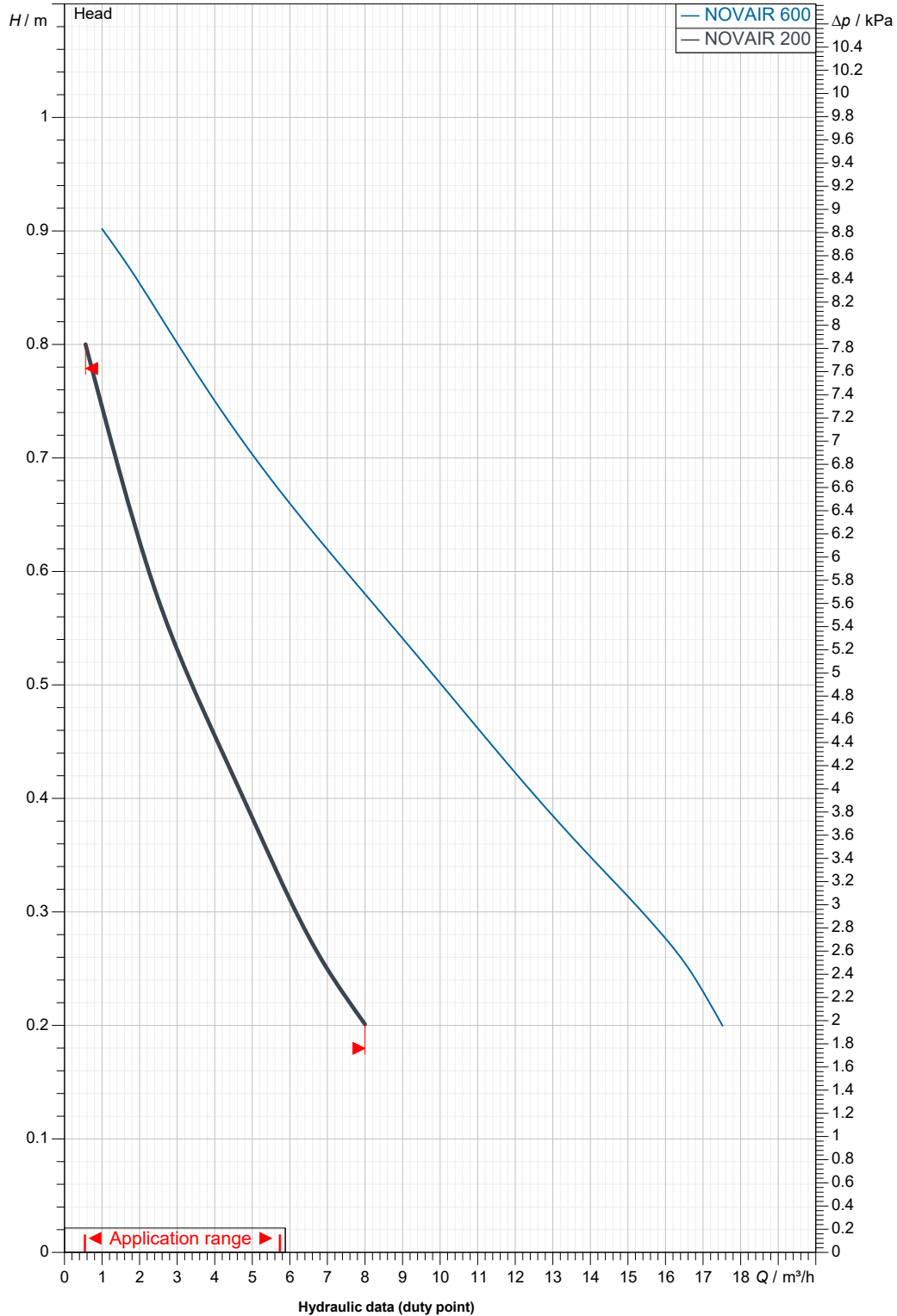
Receiver

From

Company  
Reference  
Address  
Phone  
Fax  
E-mail

## NOVAIR 200 M-NA 10m cable

Curve tolerance according to ISO 9906



Suction side :

Discharge side :

Flow :

Head :

Rated speed :

2850 1/min

MAIN\_PROJECT\_TITLE

BUSINESS\_PROCESS\_ID

OWNER\_

ISSUE\_DATE

2023-03-06



# DIMENSIONAL DRAWING

2023-03-06

Page 3 / 3

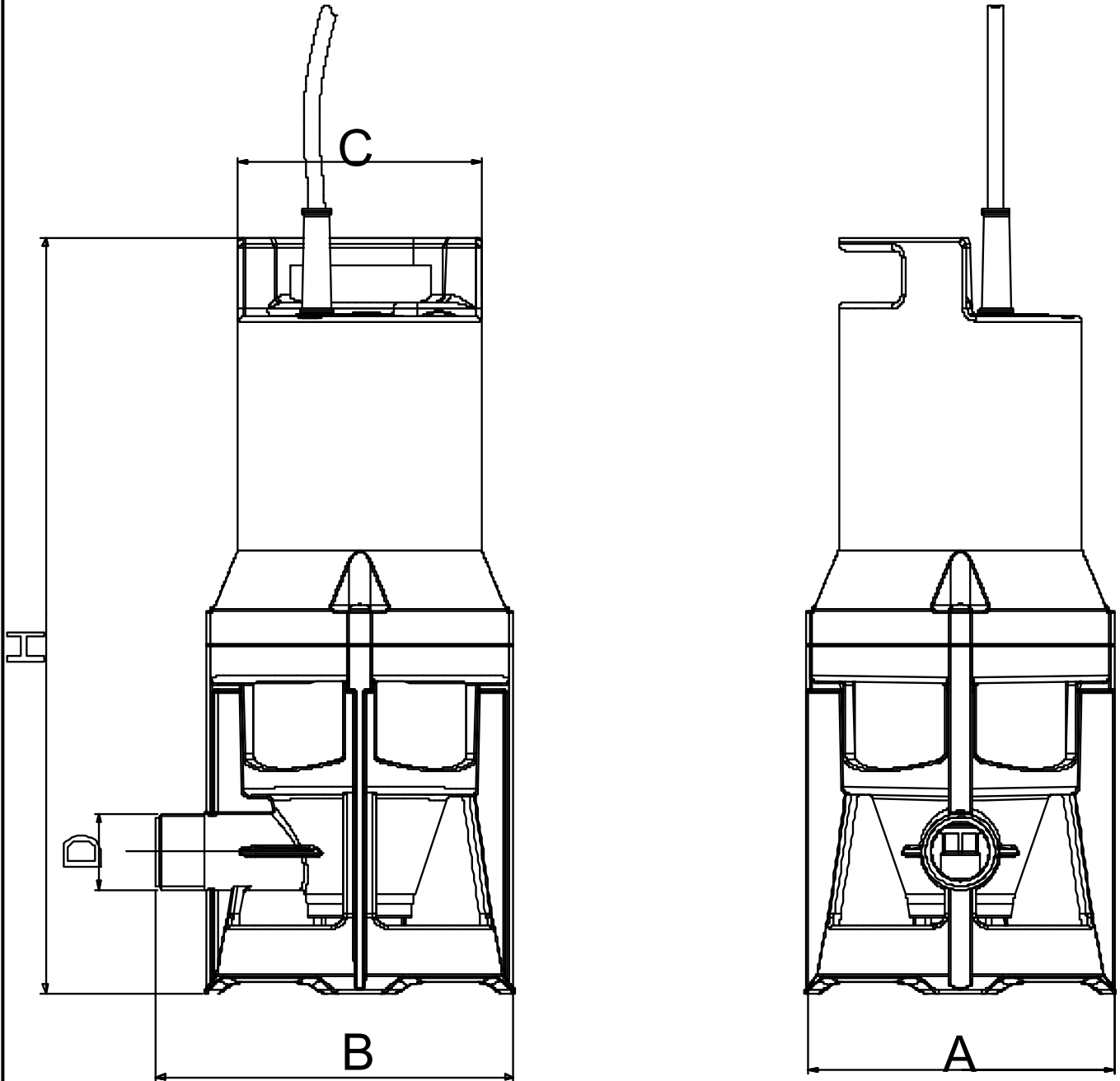
DAB PUMPS S.p.A.  
Via Marco Polo, 14 - 35035 Mestrino (PD), Italy  
Tel. +39 049 5125000 - Fax +39 049 5125950  
www.dabpumps.com

Receiver

From

Company  
Reference  
Address  
Phone  
Fax  
E-mail

## NOVAIR 200 M-NA 10m cable



Dimensions in mm					Pump connection	
1	A	130.5				
2	B	158				Suction
3	C	Ø 106				
4	D	1" G				
5	H	329.5				
6						
7						Discharge
8						
9						
10						
11						

MAIN_PROJECT_TITLE	BUSINESS_PROCESS_ID	OWNER_	ISSUE_DATE <b>2023-03-06</b>
--------------------	---------------------	--------	---------------------------------