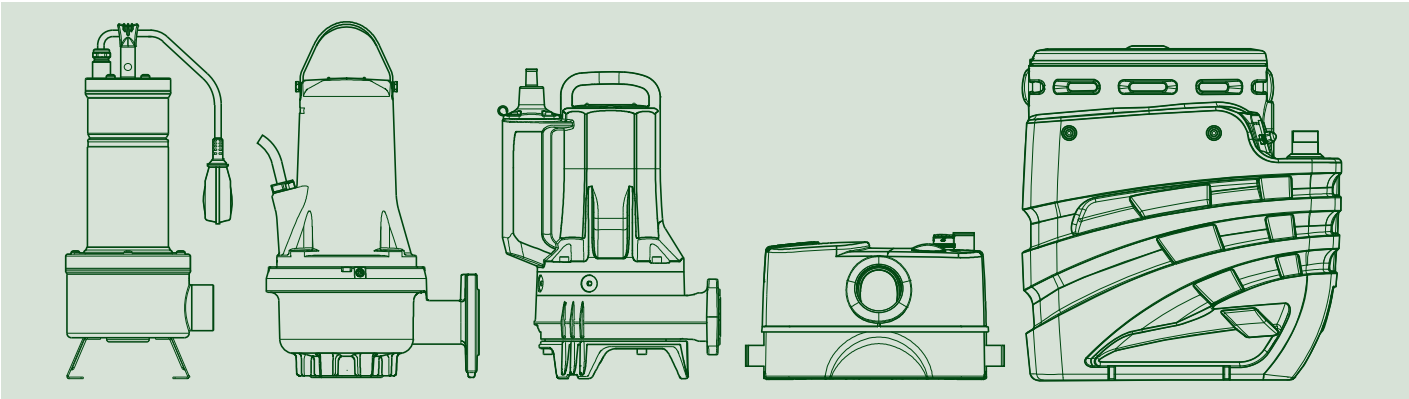


SUBMERSIBLE PUMPS



**TECHNICAL
CATALOGUE**

NOVAIR

SUBMERGED AERATOR



TECHNICAL DATA

Operating range: air capacity 2 to 17 m³/h for depths from 20 to 90 cm from the axis of the suction port.

Protection class: IP68.

Insulation class: F.

Pumped liquid operating range: from 0 °C to 35 °C according to EN 60335-2-41 for domestic use.

Minimum immersion depth: 20 cm.

Maximum immersion depth: 80 cm (Novair 200) 90 cm (Novair 600).

Immersion liquid: Cesspool sewage water without solid matter and fibre, clean water.

Standard voltage: single-phase: 220 – 240 V/ 50 Hz.

Power cable: H07RNF8-F, 2 m, 5 m and 10 m, with the possibility of SCHUKO plug.

Installation: Vertical.

APPLICATIONS

The submersed aerator has been designed for the aeration of sewage in small purification systems. Further uses can be the oxygenation of garden ponds, and fresh water fish farms.

CONSTRUCTION FEATURES

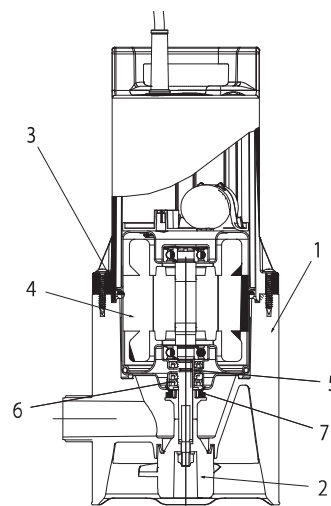
Technopolymer pump body, wiring cover, and impellers. Two-pole asynchronous submersible 0,18 and 0,4 kW motor with built-in thermal protection and permanent capacitor in the wiring compartment.

Steel motor shaft with ceramic treated bushing, on oversized and permanently lubricated ball bearings. Threefold seal with interposed rings with oil pre-chamber.

MATERIALS

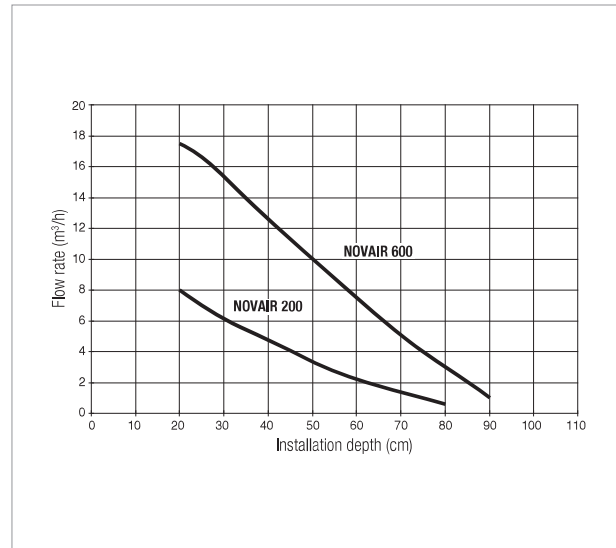
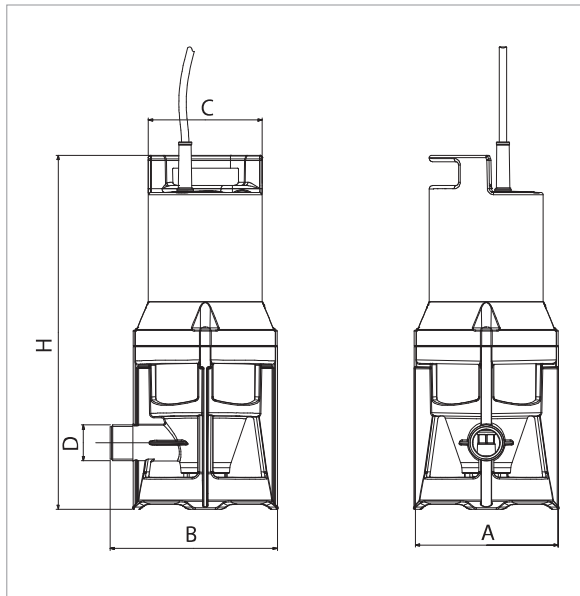
N.	PARTS*	MATERIALS
1	PUMP BODY	TECHNOPOLYMER
2	IMPELLER	TECHNOPOLYMER
3	OR RING	NBR 70
4	MOTOR	
	MOTOR CASING	AISI 304
	SHAFT	AISI 416
5	CERAMIC TREATED BUSHING	AISI 303 + CERAMIC
6	RADIAL SEAL	NBR 70
7	V-RING	NBR 70 + GREASE

* In contact with the liquid



NOVAIR - SUBMERGED AERATOR FOR SMALL PURIFICATION SYSTEMS

Liquid temperature range: from 0 °C to 35 °C according to EN 60335-2-41 for domestic use.



The performance curves are based on kinematic viscosity values = 1 mm²/s and density equal to 1000 kg/m³. Curve tolerance according to ISO 9906.

MODEL	ELECTRICAL DATA				MAXIMUM AIR RATE m ³ /h	
	POWER INPUT 50 Hz	P1 MAX kW	P2 NOMINAL			In A
			kW	HP		
NOVAIR 200 M-NA	1x220-240 V~	0.28	0.18	0.24	1.4	8
NOVAIR 600 M-NA	1x220-240 V~	0.63	0.40	0.54	3	17.5

MODEL	H	A	B	Ø C	D G NPT	PACKING DIMENSIONS			CABLE	VOLUME (m ³)	WEIGHT kg
						L/A	L/B	H			
NOVAIR 200	329.5	130.5	158	106	1"	190	255	308	2 m / H07RN8-F	0.015	3.5
									5 mt / H07RN8-F		
									10 mt / H07RN8-F		
NOVAIR 600	380.2	130.5	158	106	1" ¼	190	255	419	2 m / H07RN8-F	0.015	5.4
									5 mt / H07RN8-F		
									10 mt / H07RN8-F		

DNA
DNA
PUMPS SELECTOR

On-line product selection



DAB PUMPS LTD.
6 Gilberd Court
Newcomen Way
Severalls Business Park
Colchester
Essex
CO4 9WN - UK
salesuk@dwtgroup.com
Tel. +44 0333 777 5010



DAB PUMPS IBERICA S.L.
Calle Verano 18-20-22
28850 - Torrejón de Ardoz - Madrid
Spain
Info.spain@dwtgroup.com
Tel. +34 91 6569545
Fax: + 34 91 6569676



DAB PUMPS SOUTH AFRICA (PTY) LTD
Twenty One Industrial Estate,
16 Purlin Street, Unit B, Warehouse 4
Olifantsfontein -1666 - South Africa
info.sa@dwtgroup.com
Tel. +27 12 361 3997



DAB PUMPS BV
'tHofveld 6 C1
1702 Groot Bijgaarden - Belgium
info.belgium@dwtgroup.com
Tel. +32 2 4668353



DAB PUMPS HUNGARY KFT.
H-8800
Nagykanizsa, Buda Ernő u.5
Hungary
Tel. +36 93501700



DAB PUMPS (QINGDAO) CO. LTD.
No.40 Kaituo Road, Qingdao Economic & Technological
Development Zone
Qingdao City, Shandong Province - China
PC: 266500
sales.cn@dwtgroup.com
Tel. +86 400 186 8280
Fax +86 53286812210



DAB PUMPS B.V.
Albert Einsteinweg, 4
5151 DL Drunen - Nederland
info.netherlands@dwtgroup.com
Tel. +31 416 387280
Fax +31 416 387299



DAB PUMPS POLAND Sp. z o.o.
Ul. Janka Muzykanta 60
02-188 Warszawa - Poland
polska@dabpumps.com.pl



DAB PUMPS DE MÉXICO, S.A. DE C.V.
Av Amsterdam 101 Local 4
Col. Hipódromo Condesa,
Del. Cuauhtémoc CP 06170
Ciudad de México
Tel. +52 55 6719 0493



DAB PUMPS GMBH
Am Nordpark 3
D - 41069 Mönchengladbach - Germany
info.germany@dwtgroup.com
Tel. +49 2161 47388-0
Fax +49 2161 47388-36



DAB PUMPS INC.
3226 Benchmark Drive
Ladson, SC 29456 - USA
info.usa@dwtgroup.com
Tel. 1-843-797-5002
Fax 1-843-797-3366



DAB PUMPS OCEANIA PTY LTD
426 South Gippsland Hwy,
Dandenong South VIC 3175 - Australia
info.oceania@dwtgroup.com
Tel. +61 1300 373 677



PT DAB PUMPS INDONESIA
Satrio Tower Iantai 26
unit C-D, Jl. Prof. Dr. Satrio Kav. C4,
Kel. Kuningan Timur, Kec. Setiabudi, Kota Adm.
Jakarta Selatan, Prov. DKI Jakarta. - Indonesia
Tel. +62 2129222850