

### Receiver

### From

Society  
Reference  
Address  
Phone  
Fax  
E-mail

**Item n° :**  
60170434  
**Model :**  
FKV 80 75.2 T5 400Y/D

### Pump data

Type of impeller : Vortex impeller  
Pump outlet : DN 80  
Pump inlet : DN 80  
Flange standard : EN 1092-1 / PN 16  
Free passage : 80 mm  
Fluid Temperature : 0 °C / 40 °C \*  
\* For higher temperatures please contact our sales network  
pH : 6,5 - 12  
Kinematic viscosity : 1 mm<sup>2</sup>/s  
Max Flow : 93.6 m<sup>3</sup>/h  
Max. Head : 31.8 m  
Max. Hydraulic efficiency : 35.8 %

### Approvals

Approvals : 12050-1  
ATEX : NO

### INSTALLATION

Max. Ambient temperature : 40 °C  
Max. installation depth : 20 m  
Type of installation :  
Wet - Pump only.

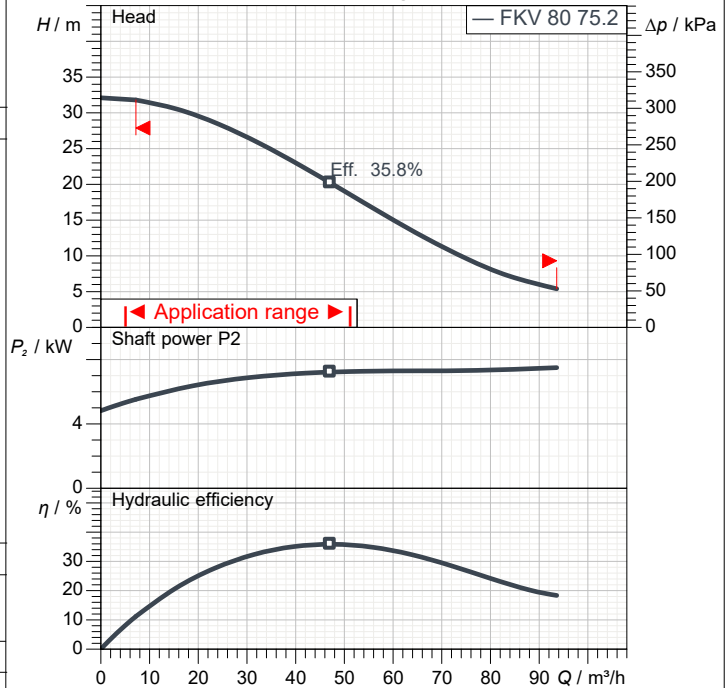
### Materials

Handle : Stainless Steel (AISI 304)  
Electric cable : 07RN8-F  
Screws : Stainless Steel (AISI 304)  
OR : NBR  
Mechanical seal pump side : SiC/SiC  
Mechanical seal motor side : SiC/Carbon  
Seal ring : HNBR  
Motor shaft : AISI 420  
Pump body / motor : Cast iron (EN GJL 200)  
Impeller : Cast iron (EN GJL 250)  
Coating : Acrylic Two-component 50µm

### Motor data

Number of poles : 2  
Max. Input power P1 : 8.27 kW  
Nominal power P2 : 7.5 kW  
Rated voltage : 3~ 400 V (+6% / -10%) 50 Hz  
Nominal current : 13.7 A  
Starting current (DOL / YD) : 41.2 A / —  
Starting : Star-delta  
Rated speed : 2900 1/min  
Efficiency : 90.7 %  
Number of starts : 20 /h  
Degree of protection : IP 68  
Insulation class : F 150 °C  
Standard cable type : 10mt 7G2.5+3x1  
Water-in-oil sensor : NO  
Motor protection : Thermal switch

### Curve tolerance according to ISO 9906



### Fluid data

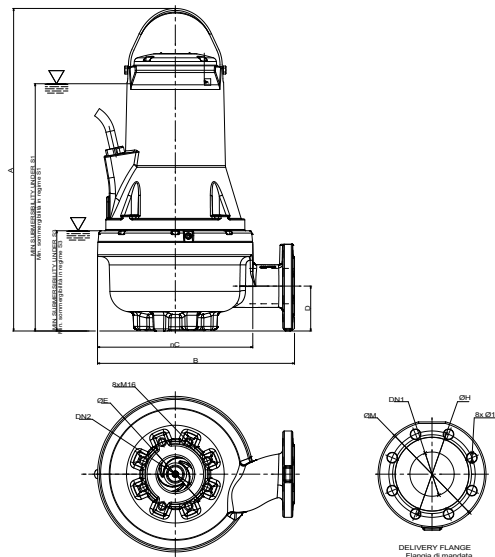
Fluid : Water  
Fluid Temperature : 20 °C  
Density : 998.3 kg/m<sup>3</sup>  
Kinematic viscosity : 1.005 mm<sup>2</sup>/s

### Requested data

Flow :  
Head :

### Real duty point

Flow :  
Head :



Pump weight : 152 kg

Accessory weight :

### Dimensions in mm

A 747  
B 456  
D 104  
DN1 80  
DN2 80  
ØC 360  
ØE 160  
ØH 160

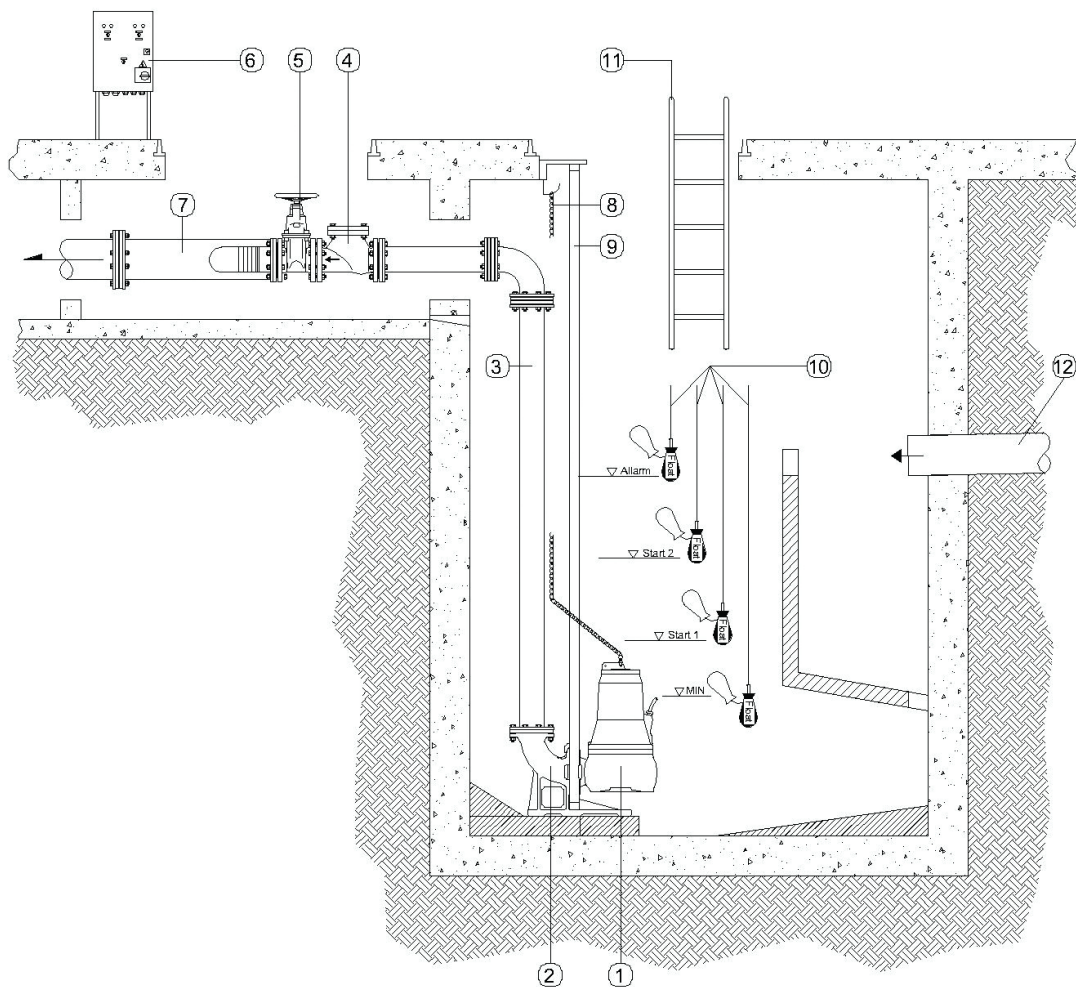
ØM 200  
S1 575  
S3 235

Receiver

From

Society  
Reference  
Address  
Phone  
Fax  
E-mail

## Installation example



- 1: SUBMERSIBLE PUMPS
- 2: BASE ELBOW
- 3: DISCHARGE PIPE
- 4: BALL CHECK VALVE
- 5: GATE VALVE
- 6: CONTROL PANEL
- 7: MANIFOLD
- 8: LIFTING CHAIN
- 9: DROP PIPE
- 10: LEVEL SWITCHES
- 11: SUMP INSPECTION LADDER
- 12: INTAKE PIPE



# PERFORMANCE CURVES

2021-12-0€

Page 3 / 4

DAB PUMPS S.p.A.  
Via Marco Polo, 14 - 35035 Mestrino (PD), Italy  
Tel. +39 049 5125000 - Fax +39 049 5125950  
www.dabpumps.com

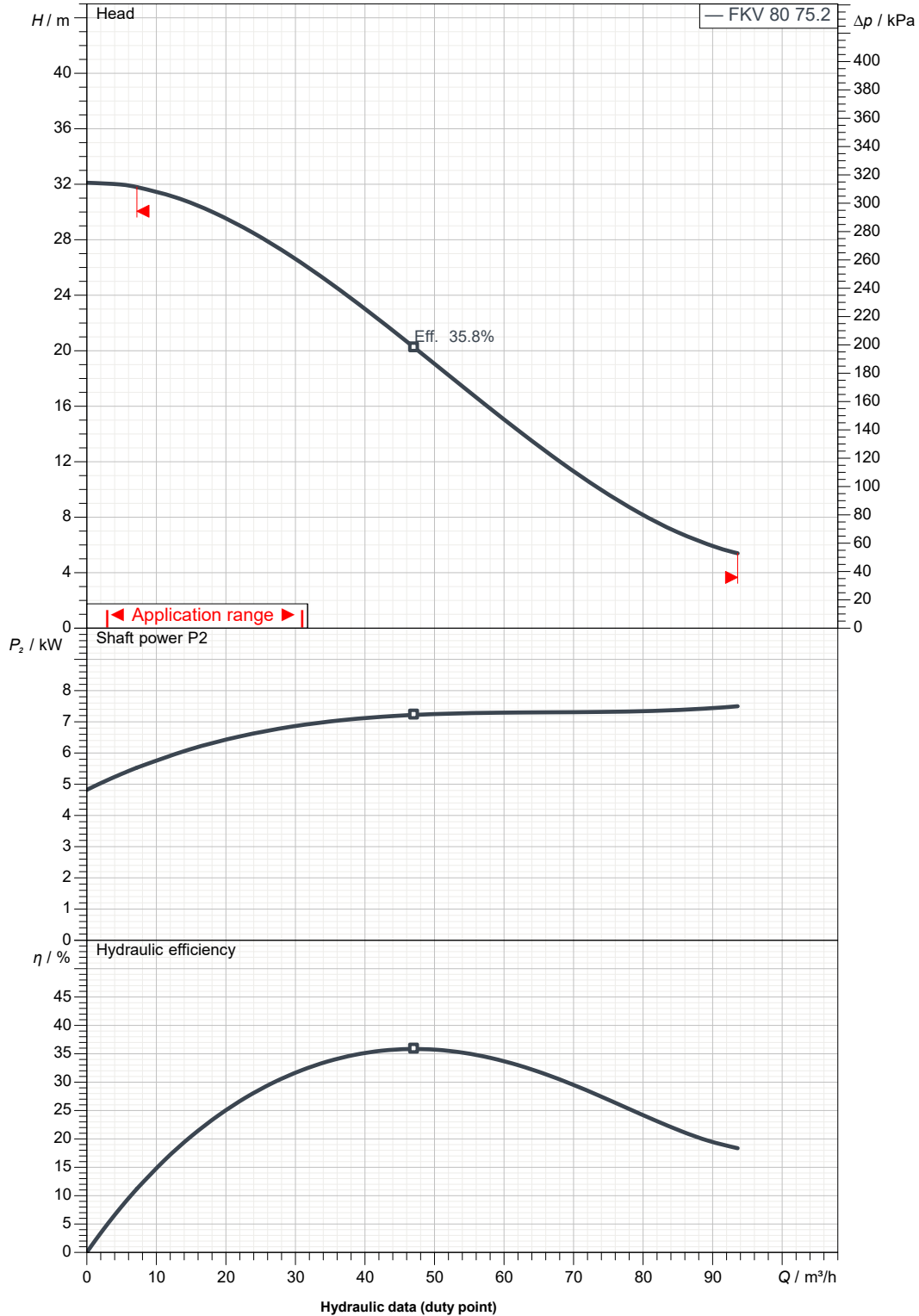
Receiver

From

Society  
Reference  
Address  
Phone  
Fax  
E-mail

**FKV 80 75.2 T5 400Y/D**

Curve tolerance according to ISO 9906



Suction side :  
DN 80  
PN 16

Discharge side :  
DN 80  
PN 16

Flow :

Head :

Rated speed :  
2900 1/min

MAIN\_PROJECT\_TITLE

BUSINESS\_PROCESS\_IC

OWNER\_

ISSUE\_DATE  
2021-12-09



# DIMENSIONAL DRAWING

2021-12-0€

Page 4 / 4

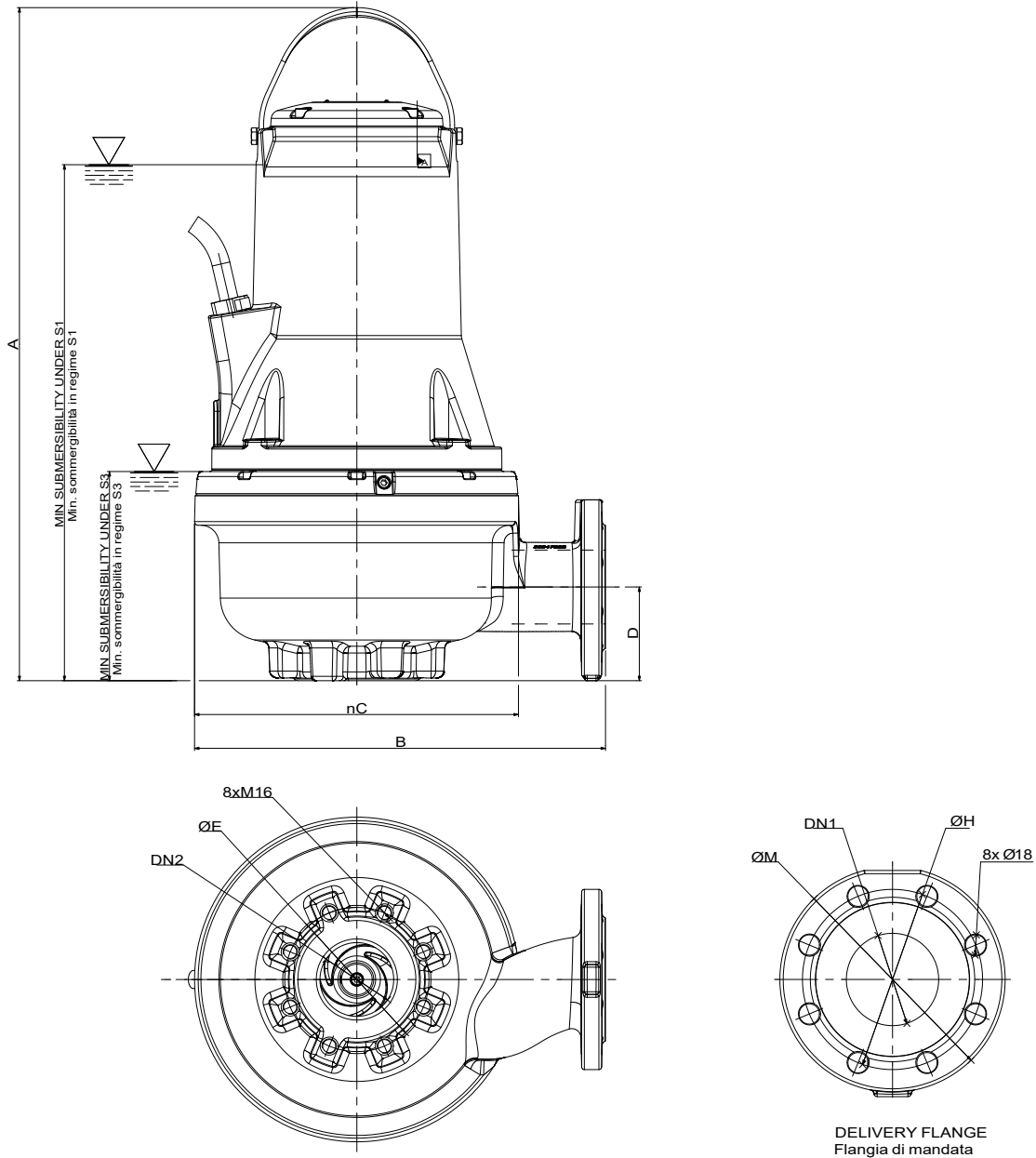
DAB PUMPS S.p.A.  
Via Marco Polo, 14 - 35035 Mestrino (PD), Italy  
Tel. +39 049 5125000 - Fax +39 049 5125950  
www.dabpumps.com

Receiver

From

Society  
Reference  
Address  
Phone  
Fax  
E-mail

## FKV 80 75.2 T5 400Y/D



DELIVERY FLANGE  
Flangia di mandata

Dimensions in mm			Pump connection	
1	A	747		
2	B	456		
3	D	104		Suction
4	DN1	80		DN 80
5	DN2	80		PN 16
6	ØC	360		
7	ØE	160		Discharge
8	ØH	160		DN 80
9	ØM	200		PN 16
10	S1	575		
11	S3	235		

MAIN_PROJECT_TITLE	BUSINESS_PROCESS_ID	OWNER	ISSUE_DATE 2021-12-09
--------------------	---------------------	-------	--------------------------